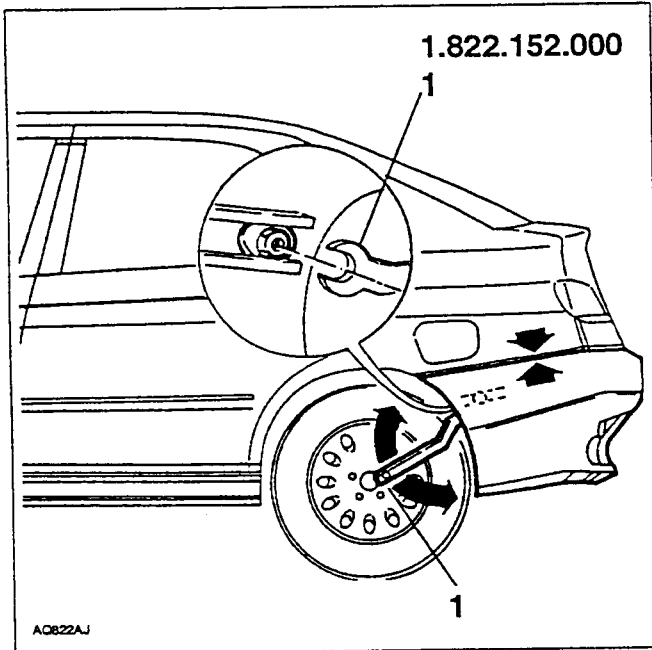


REFITTING

- When refitting, reverse the sequence described for removal.

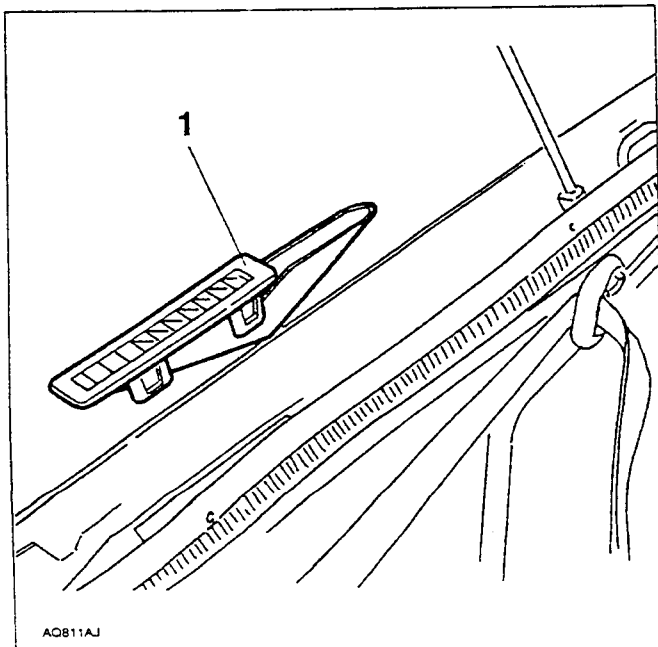
1. Adjust the position of the bumper acting on the eccentric side guides, always remembering to turn them clockwise to avoid loosening them.



PASSENGER COMPARTMENT AIR VENT GRILLE

REMOVAL/REFITTING

- Open the tailgate.
- Using tool 1.823.014.000, prise the grille and remove it.

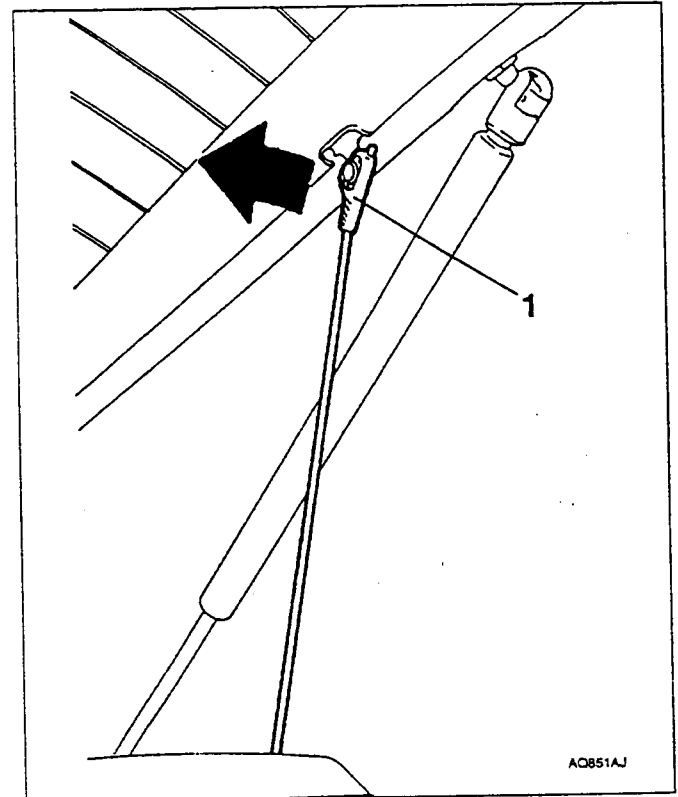


REARSCREEN

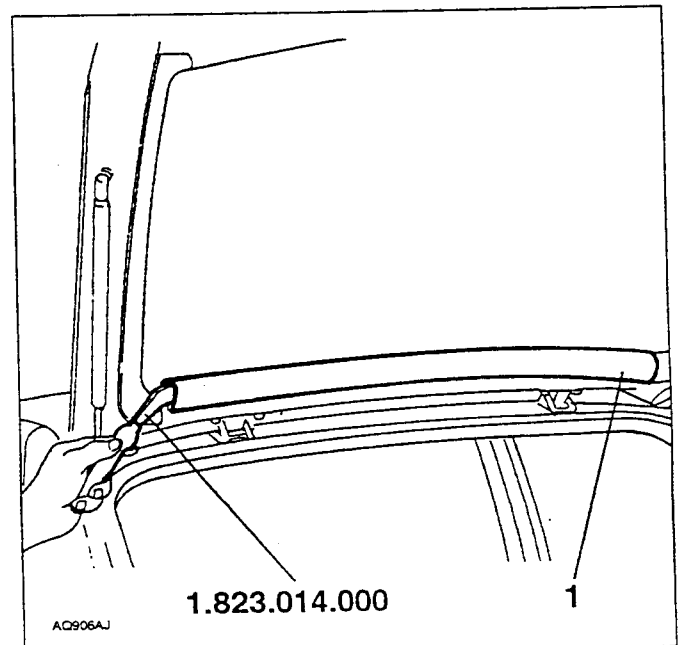
REMOVAL

- Disconnect the battery negative pole (-).

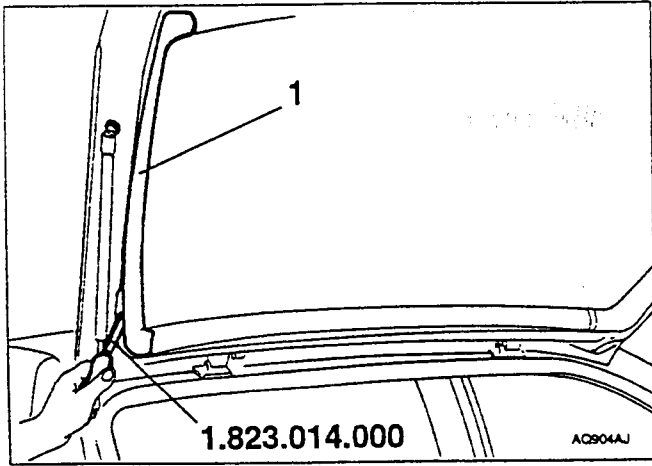
1. Open the tailgate and release the supports of rear shelf.



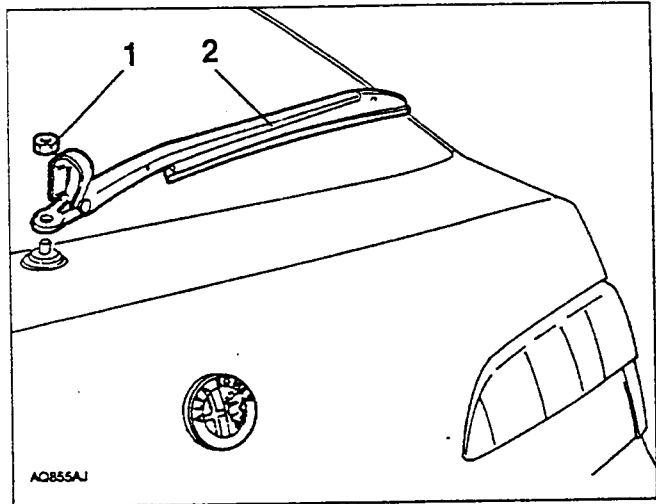
1. Using tool 1.823.014.000, release the upper tailgate trim and remove it.



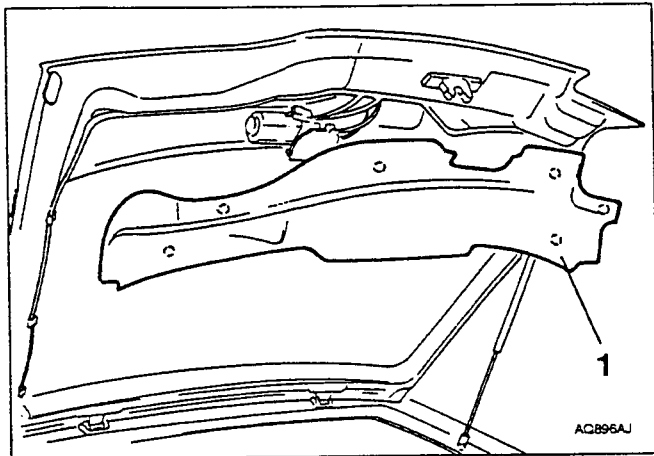
1. Using tool 1.823.014.000 release the right and left side trims.



2. Remove the rearscreen wiper arm.



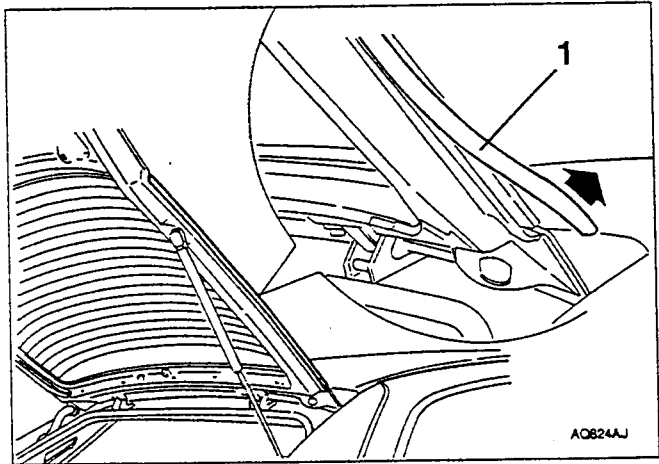
1. Using tool 1.823.015.000 release the lower tailgate trim from the plastic nails (eight) and remove it.



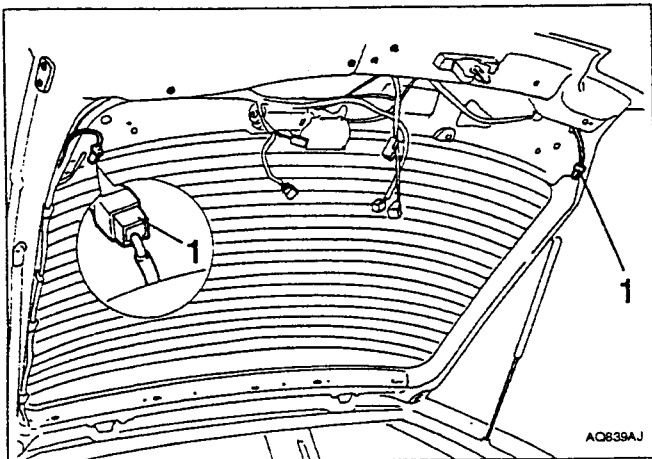
1. Remove the 2 side seals.



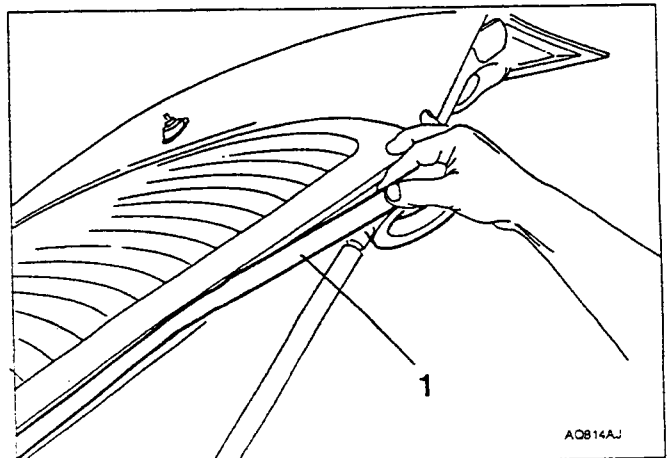
Always replace the side seals with new ones when refitting.



1. Disconnect the right and left rearscreen heating connectors.



1. Protect the side edge of the tailgate on which the pin of the electric cutter blade will rest with adhesive tape.

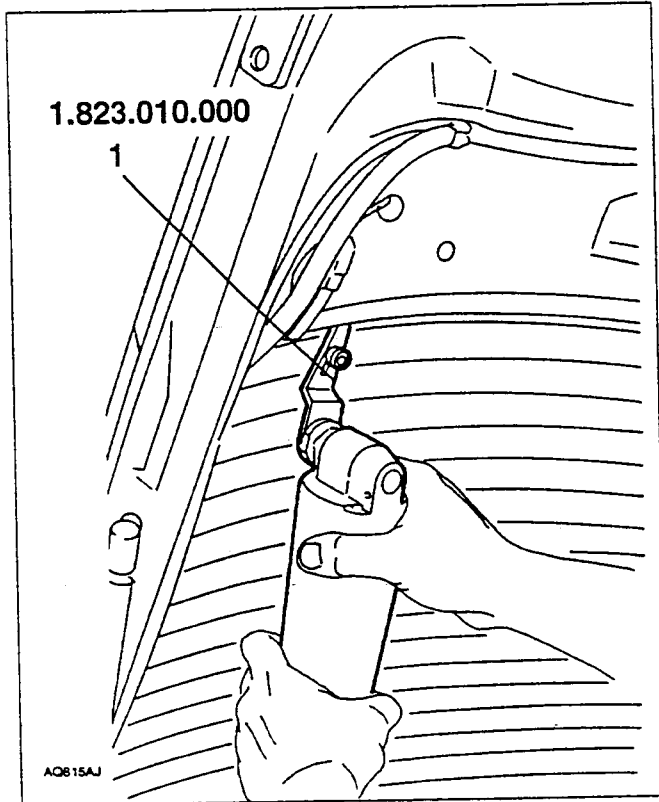


1. Lower the tailgate, lift the protection cap and slacken the nut fastening the rearscreen wiper arm.

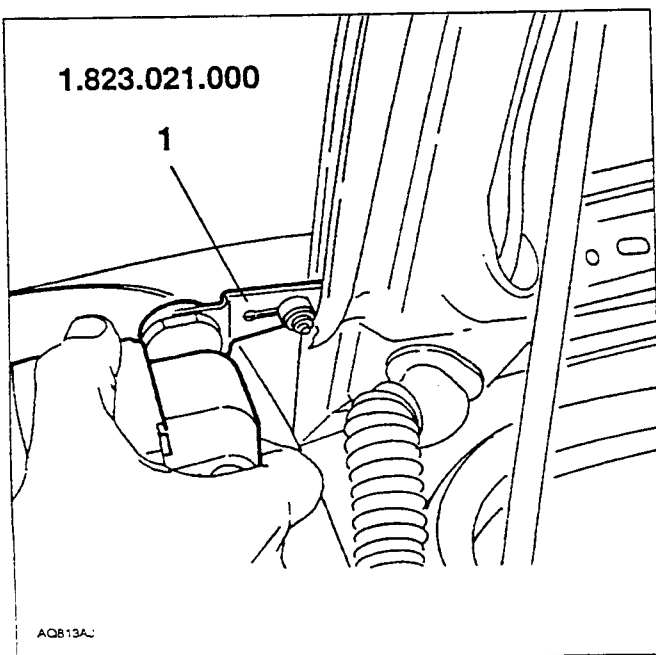
1. Using an electric cutter with blade 1.823.010.000 and working from inside the tailgate, cut the sealant on the upper and lower ends.



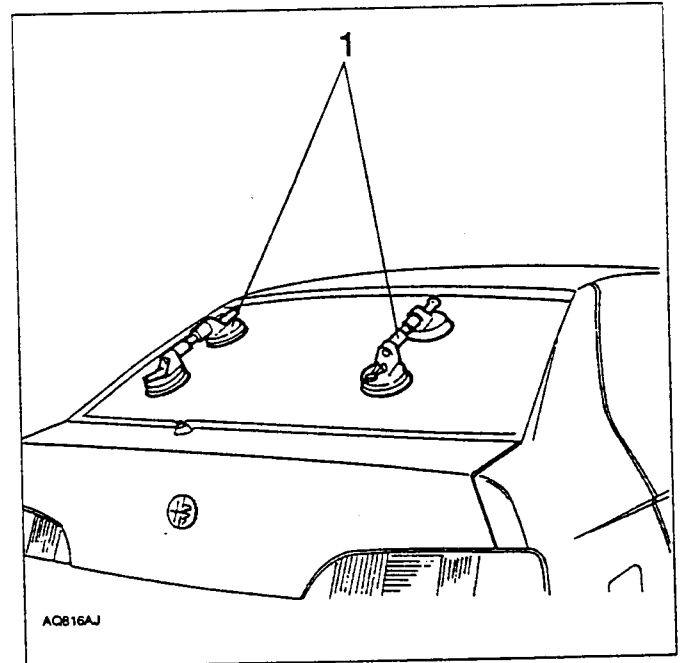
Adjust the blade thickness to avoid damaging the bodywork.



1. Using an electric cutter, fitted with blade 1.823.021.000 and working from the outside of the tailgate, cut the sealant on the sides.



1. Remove the rearscreen using the special suction grips.

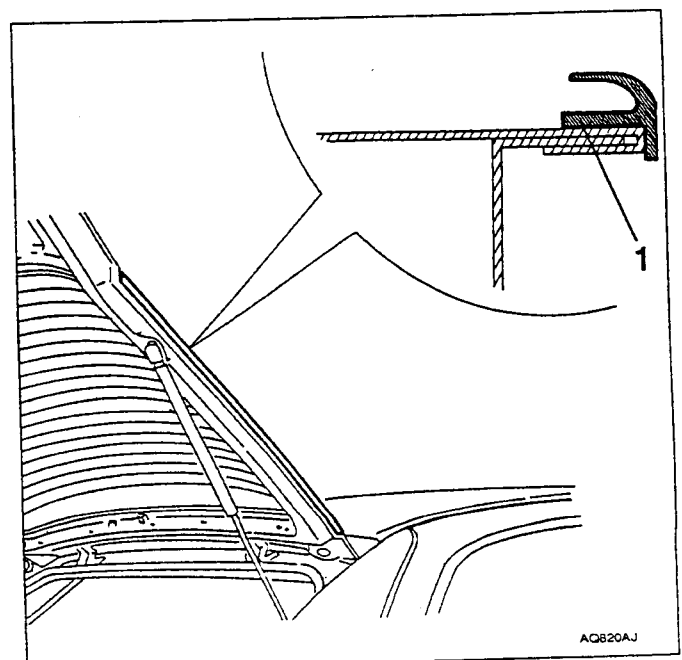


NOTE: the rearscreen may be re-used also in the event of breakage/shearing of one or more of the centering peg supports.

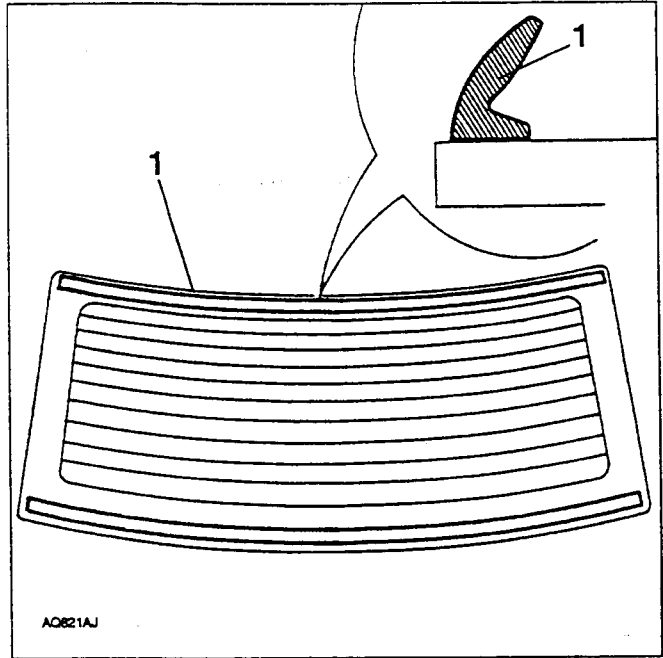
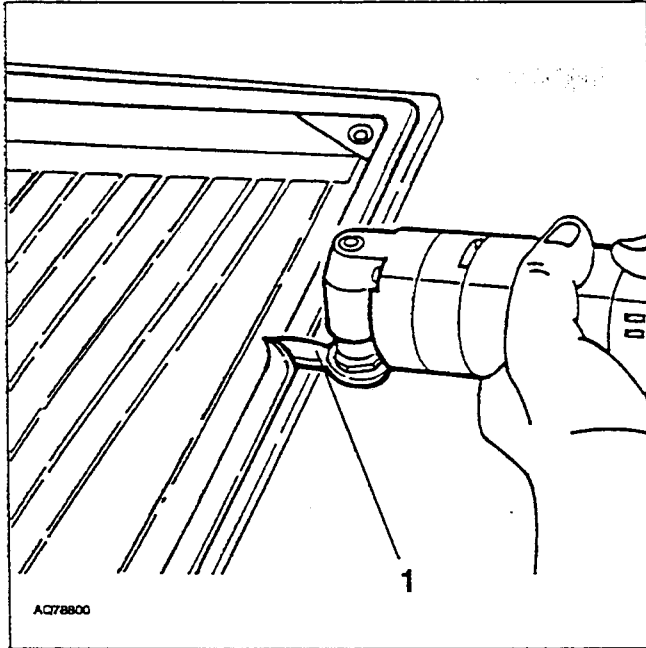
REFITTING

- Clean the perimeter of the rearscreen rest area of the remaining sealant and eliminate using a dry cloth or compressed air.
- Restore any damaged paintwork caused when cutting the sealant.

1. Install two new side seals on the tailgate.



1. If the original rearscreen is to be re-used, remove the residual sealant from the edges of it.

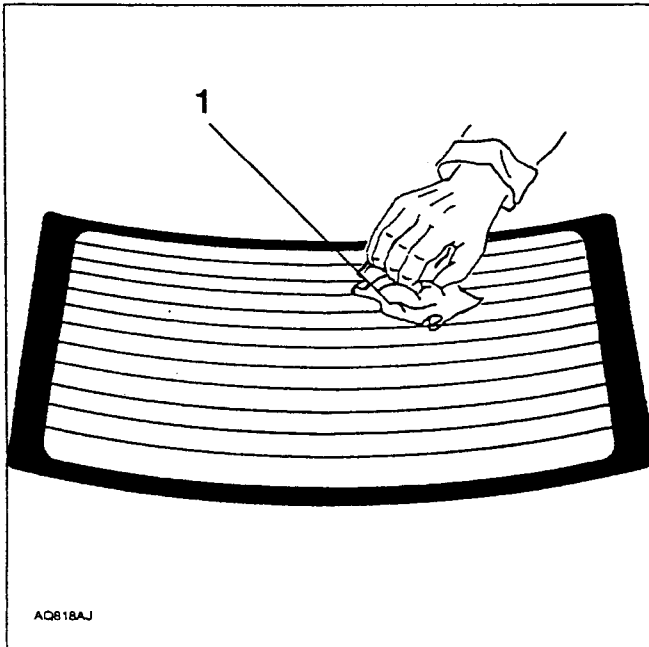


Proceed with the gluing cycle using the special KIT supplied by Spares checking the date of expiry.

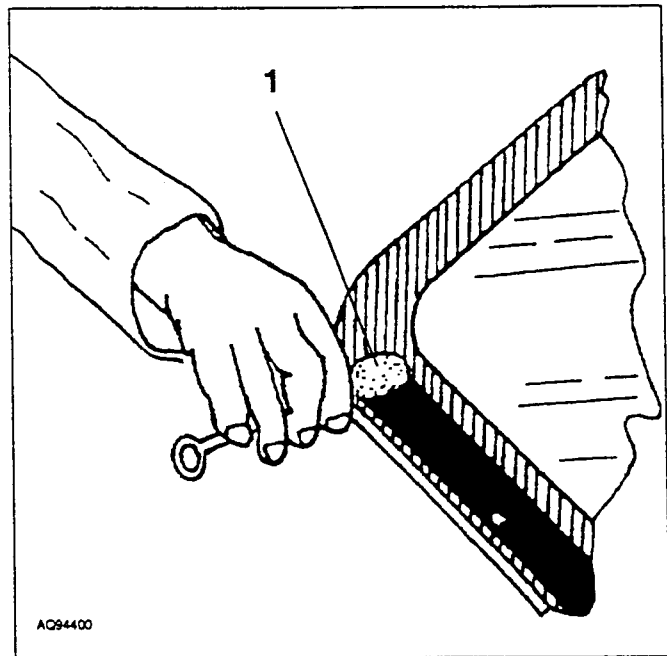
RICAMBI ORIGINALI

- If a new rearscreen is to be fitted install the four plastic centering nails.

1. Carefully remove any dust and grease from the edge of the glass using the special cloth moistened with degreasing agent.



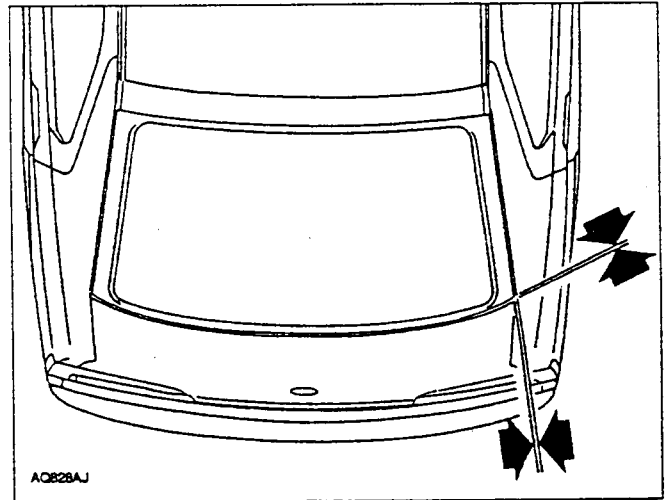
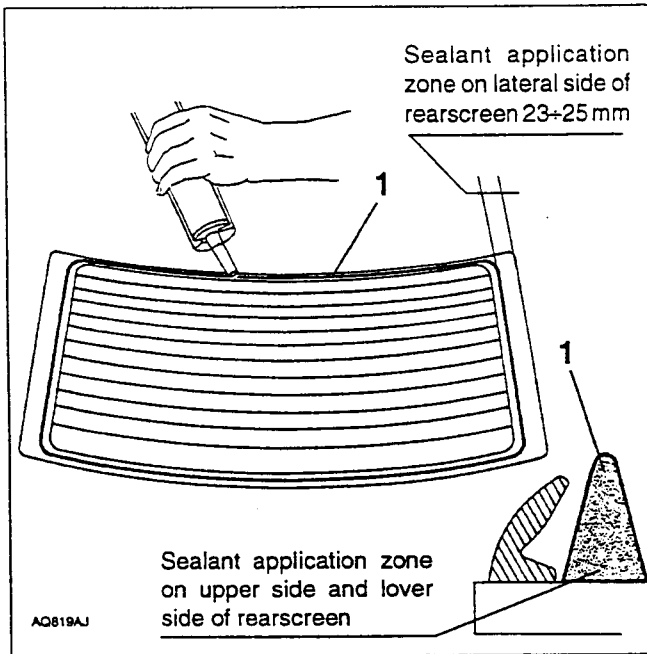
1. Apply the primer continuously and seamlessly on the black serigraph using the pad provided in the kit as illustrated.



NOTE: allow the primer to dry for at least 10 minutes keeping the surface clean.

1. Fit the upper and lower seals on the rearscreen glass using tool 1.823.008.001 for positioning.

1. Apply the sealant along the line shown in the figure using the nozzle provided after removing the guide.



- Exert a light, even pressure along the edge of the rear screen.
- Complete refitting operations reversing the sequence followed for removal.



Do not use the car until the sealant has dried completely.

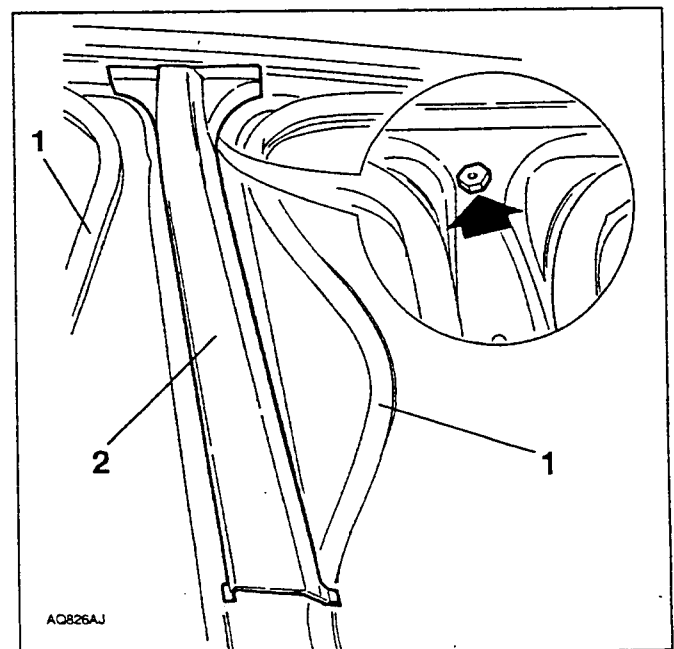
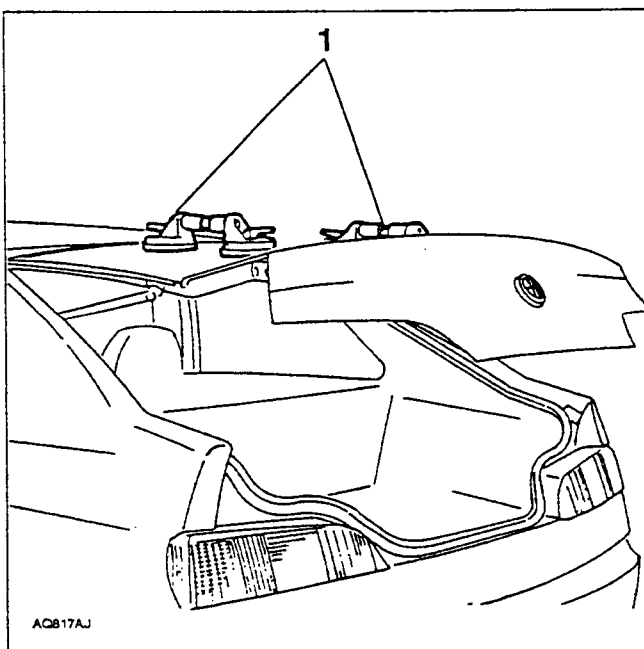
NOTE: use the short or long sealant cartridge (or both) according to necessity.

- Using the special suction cups, install the rear screen, centering it in its housing.

OUTER PILLAR COVER

REMOVAL/REFITTING

1. Carefully partially move aside the door seals.
2. Draw the outer pillar cover downwards.



Keep the tailgate horizontal to enable correct positioning of the glass even without the guide pegs.

1. Check that the rear screen gap and alignments are correct.

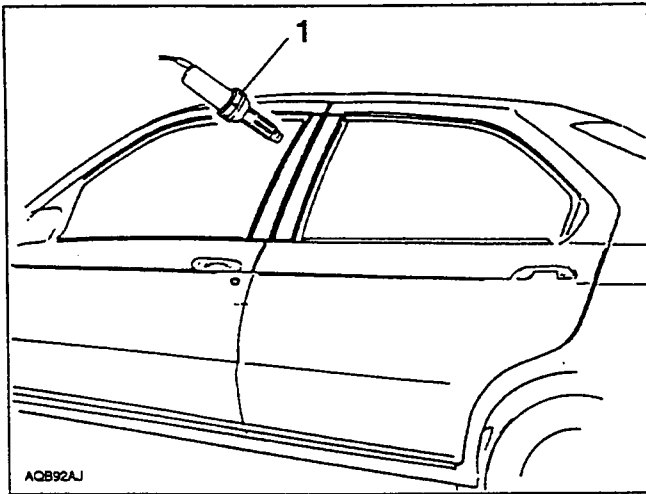


When refitting make sure that the pillar cover guide pin is correctly inserted.

DOOR CENTRE PILLAR COVER OUTER TRIM (FRONT AND REAR)

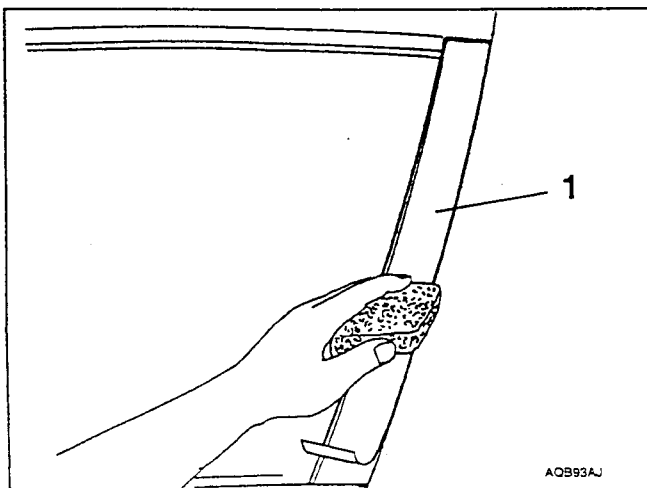
REMOVAL

- Remove the front door outer glass scraper seal (see specific paragraph).
 - Remove the front door trim moulding.
1. Using a hot air gun remove the door centre pillar cover outer trim (front and rear)



REFITTING

- Thoroughly clean the application area of residual adhesive using a de-greasing agent.
 - Dampen the application area with soapy water.
1. Apply the new centre door pillar outer trim starting from the upper edge and pressing lightly into position; take care to correctly position the trim and eliminate any air bubbles.





SERVICE

DIREZIONE POST-VENDITA
SERVIZI ASSISTENZIALI
Viale Alfa Romeo 20020 Arese (MI)
Fiat Auto S.p.A.

Publication PA493000000000 - 3/94
Printed in Italy
no. 60494360

All rights reserved.
Reproduction, even partial, without the express
permission in writing from Fiat Auto S.p.A.

Printed in Italy by Tip. Bogliani - Torino

