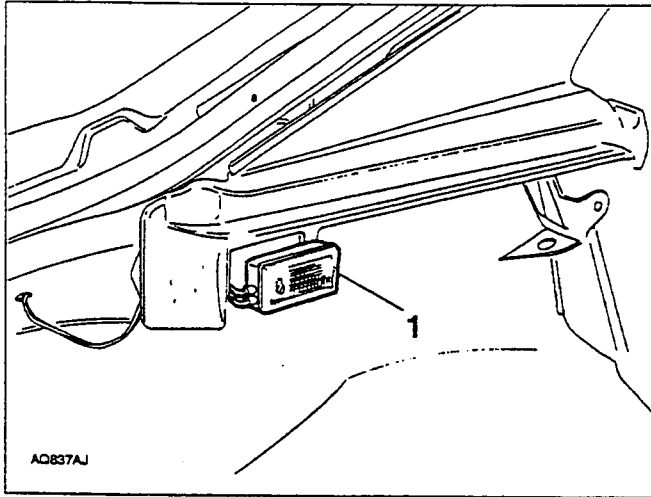
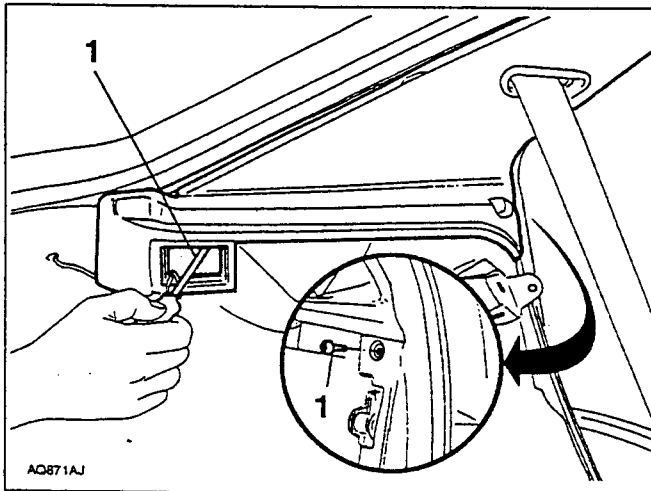


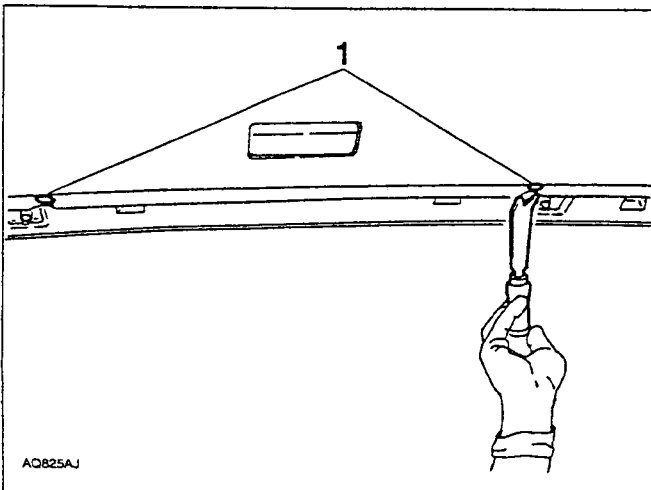
- Move the rear seat cushion forwards
- 1. Take the courtesy light out of its housing, then disconnect the electrical connections and remove it.



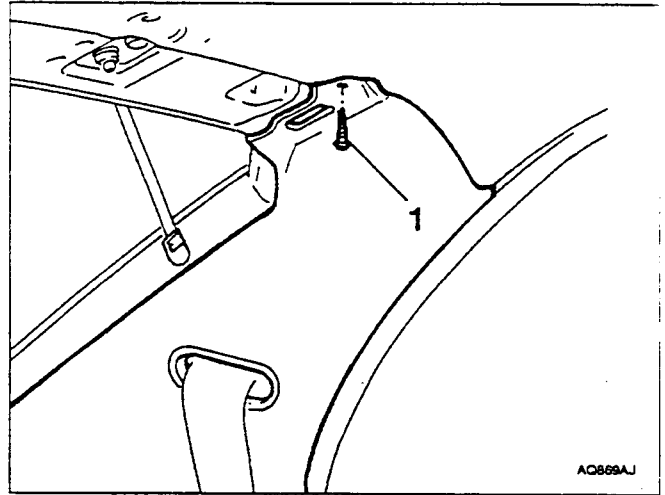
- 1. Slacken and remove the two lower screws and the third side screw fastening the pillar cover side bracket.



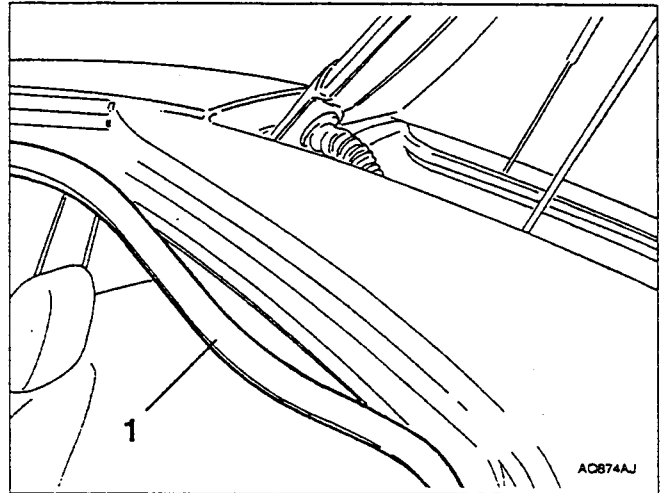
- 1. Using tool 1.823.014.000, release the rear roof panel trim from the plastic nails and remove it.



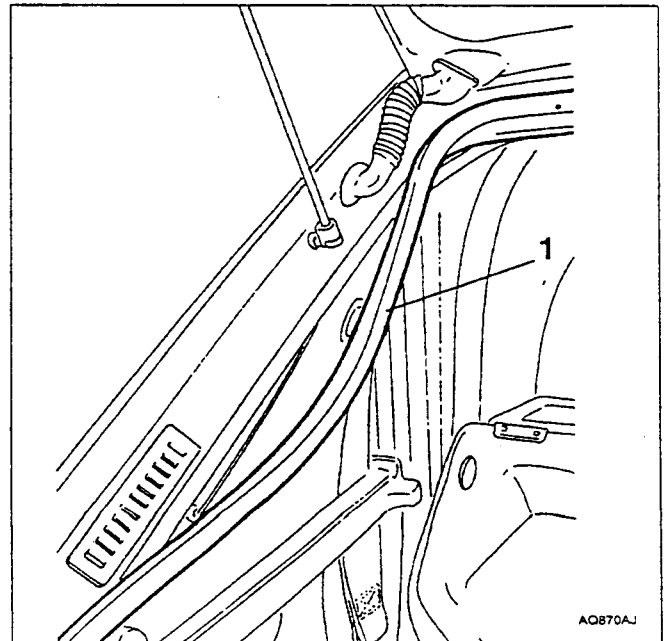
- 1. Slacken and remove the upper screws fastening the pillar cover bracket.



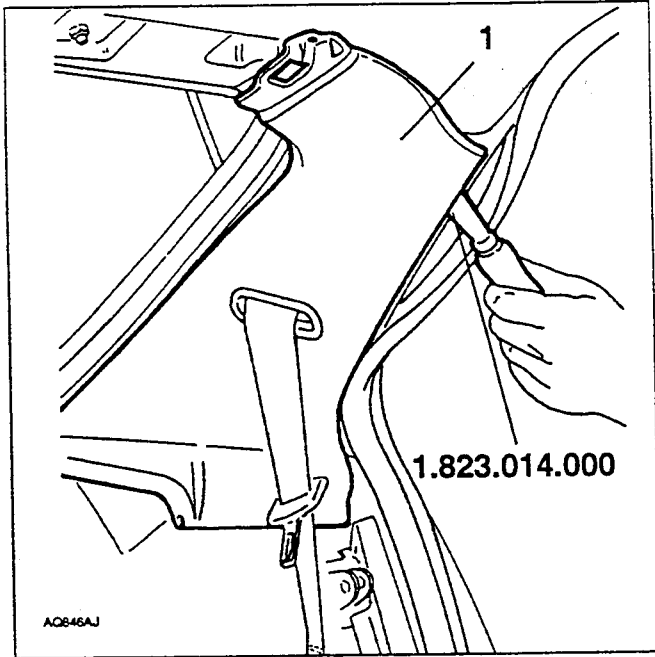
- 1. Partially remove the door seal.



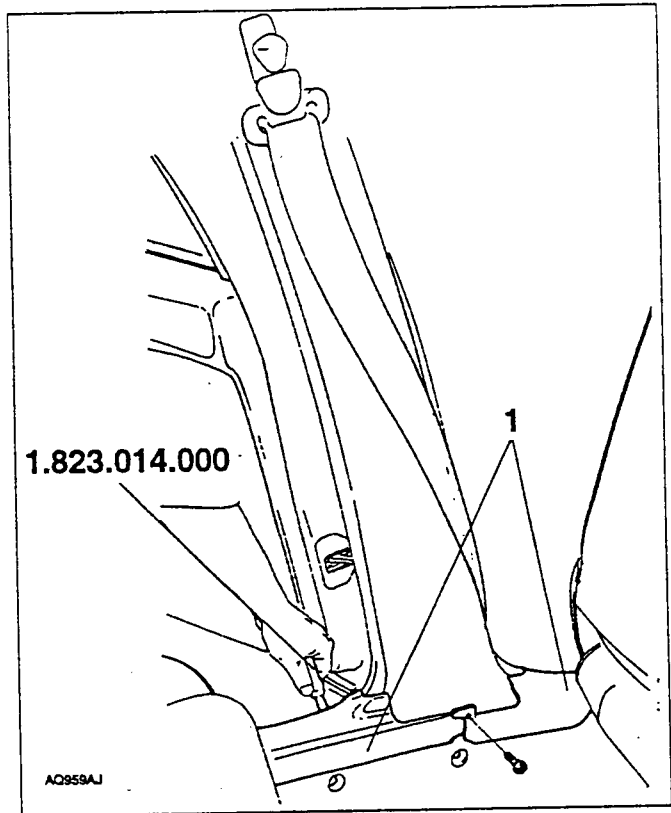
- 1. Partially remove the tailgate seal.



1. Using tool 1.823.014.000 release the pillar cover bracket and remove it withdrawing the safety belt.



1. Remove the two "heel boards" (see specific paragraph).



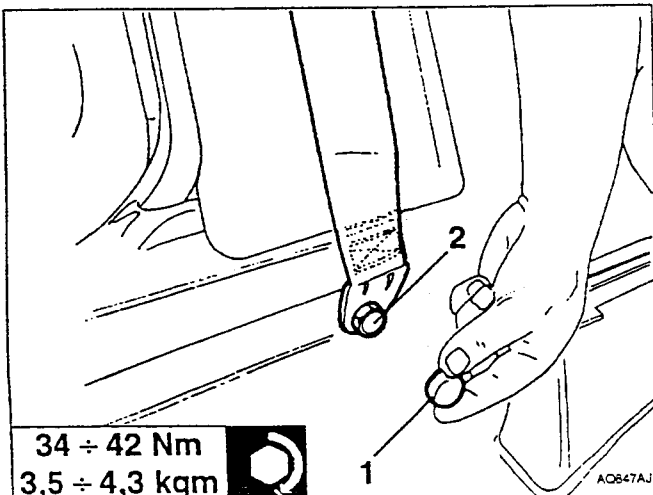
FRONT SAFETY BELTS

REMOVAL/REFITTING

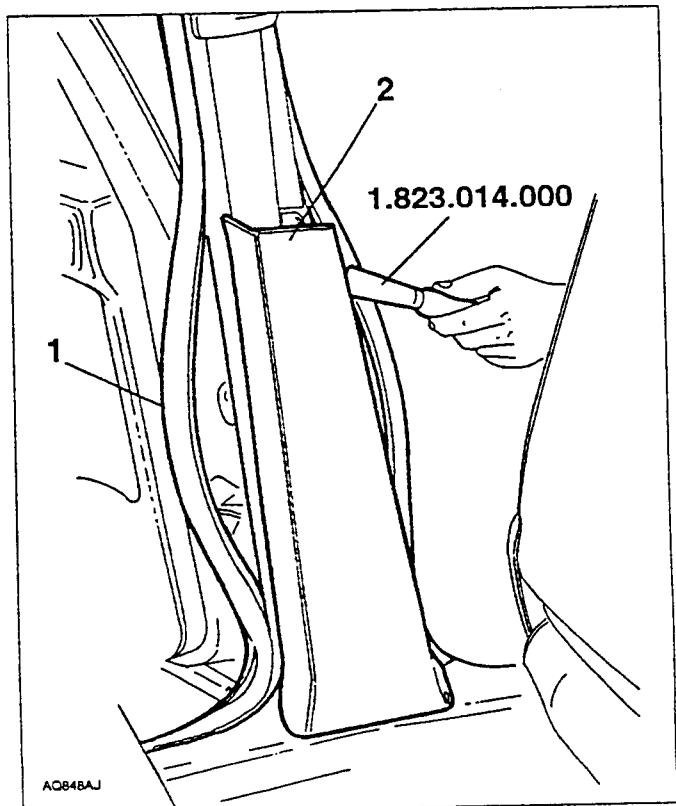


The vehicle is fitted with safety belts with pretensioner: **ALWAYS** take extreme care and **CLOSELY** adhere to safety regulations when working on the belts or near to them (see specific paragraph).

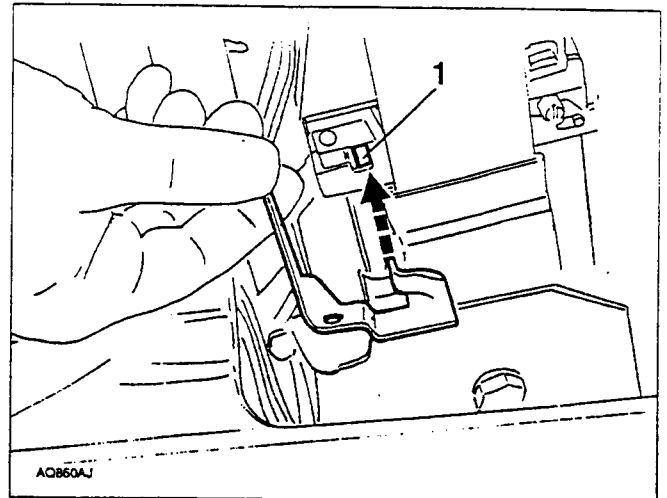
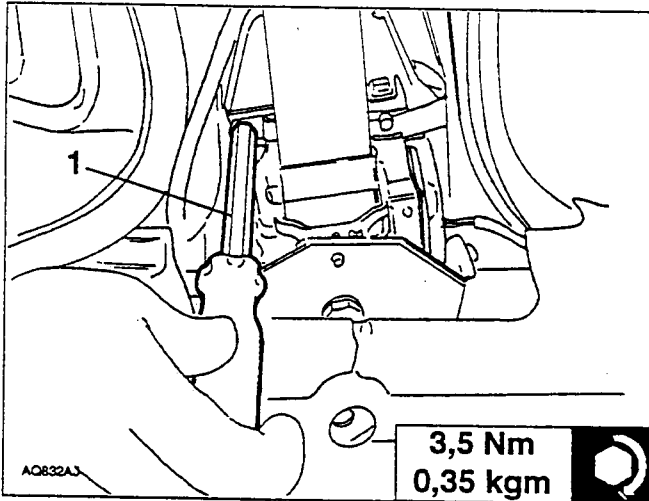
1. Remove the plastic cap.
2. Remove the lower safety belt lockscrew and free the belt.



1. Carefully remove part of the door seal.
2. Using tool 1.823.014.000 prise the pillar cover towards the inside of the car and remove it.



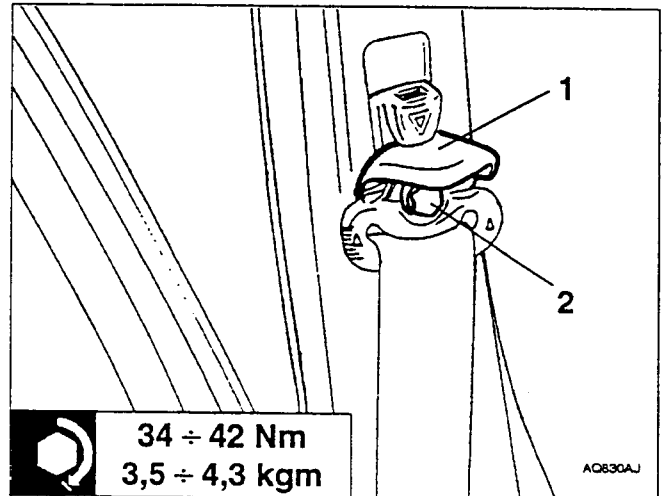
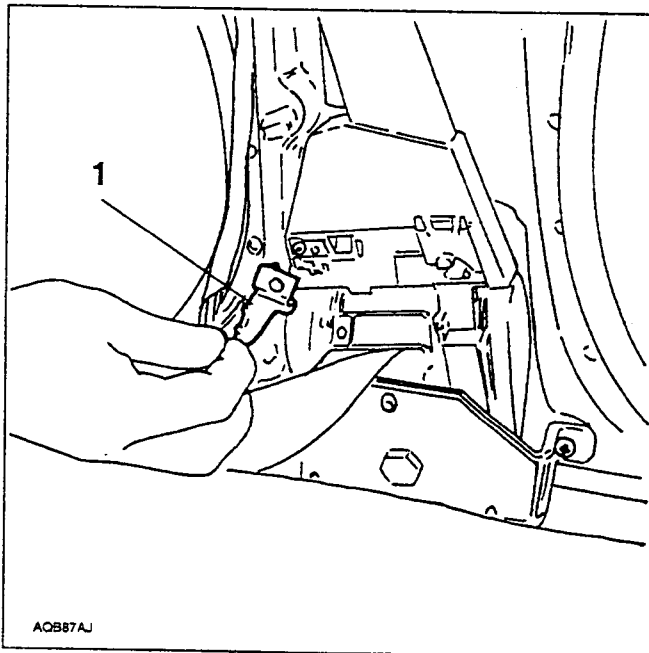
1. Slacken and remove the screw fastening the pretensioning device "safety" bracket.



⚠ The operator must wear protective items (polyethylene gloves, safety goggles, ear muffs), never go near with the face and keep as far away as possible when carrying out the operation.

1. Separate the inner bracket from the retainer pin on the inertia reel to "disable" the pretensioner, then remove it from the pillar.

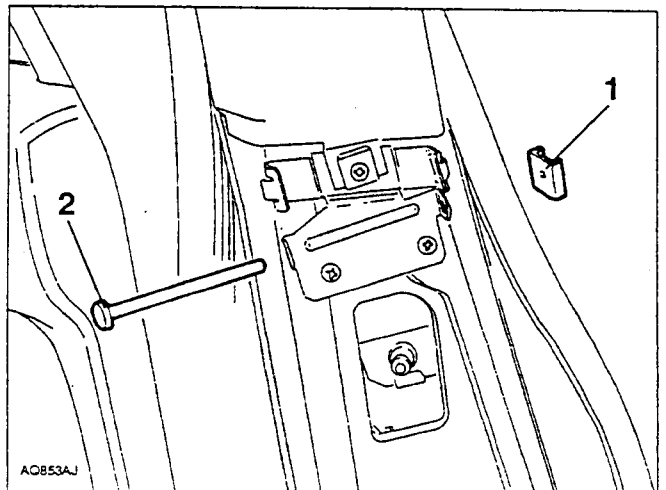
1. Remove the upper trim cap fastened to the height adjustment device.
2. Slacken the nut, then remove it.



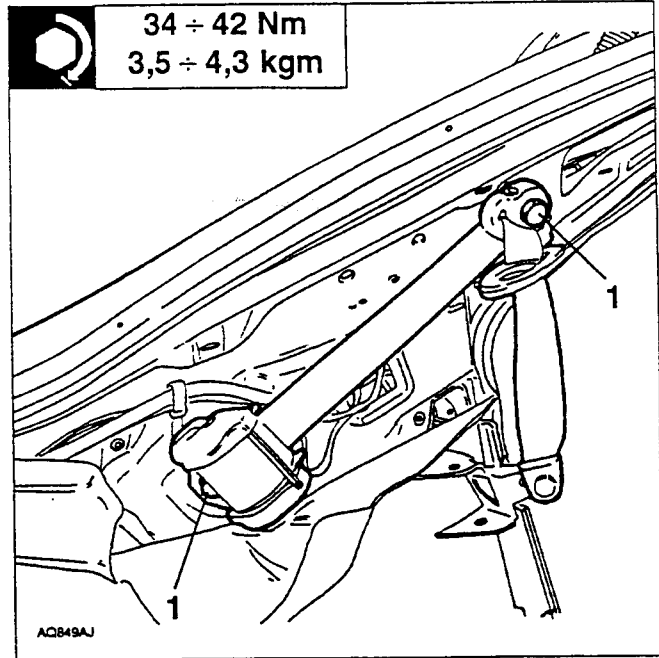
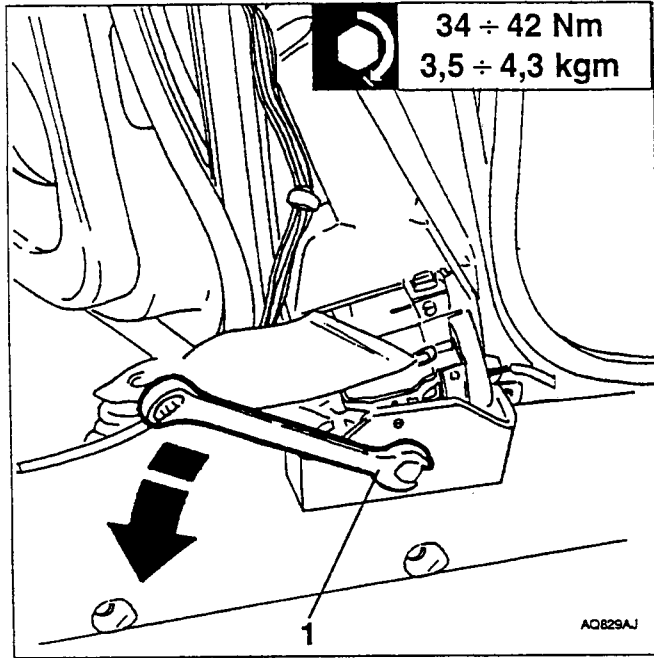
1. Through the special window make sure that the security device has been engaged checking that the spring shown by the arrow has returned to the rest position (towards the inside of the car); if not, suspend the procedure and be very careful because the device may be triggered.

1. Release and withdraw the belt guide pin.

NOTE: when the inner bracket is in position its tooth presses on the spring causing the release of the security device.



1. Slacken the pretensioner anchor screw.

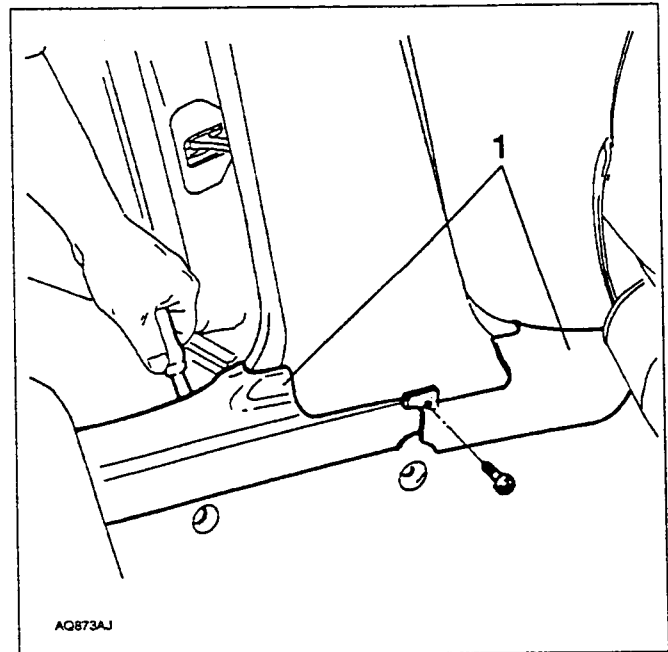
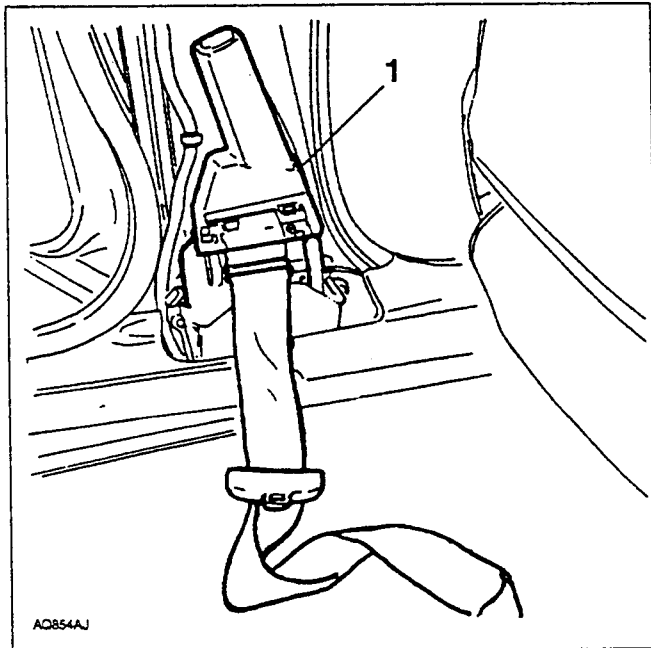


LOWER PILLAR COVER

REMOVAL/REFITTING

1. Prise and remove the two "heel boards" (see specific paragraph).

1. Remove the pretensioner.



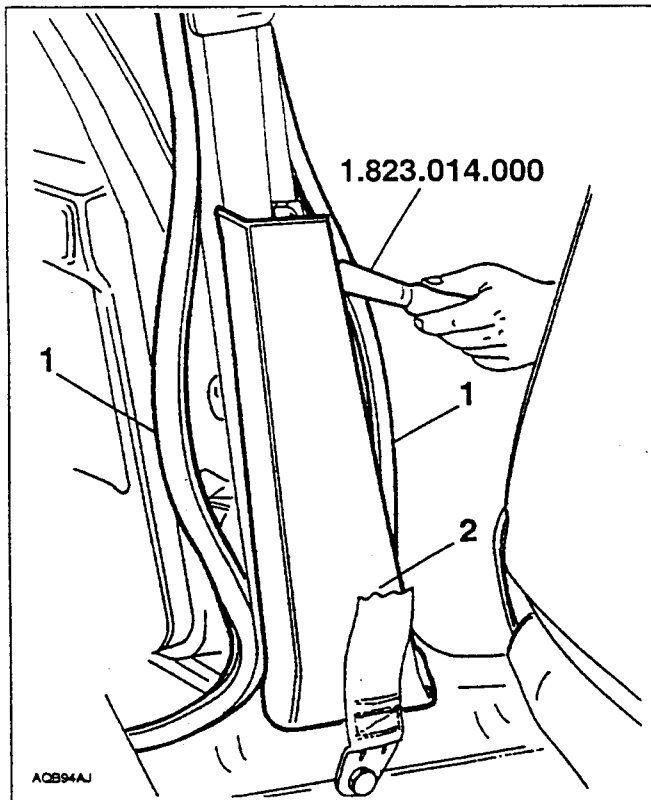
REAR SIDE SAFETY BELTS

REMOVAL/REFITTING

- Remove the pillar cover side bracket (see specific paragraph)

1. Slacken and remove the two screws fastening the safety belt and remove it.

1. Carefully partially remove the door seals.
2. Using tool 1.823.014.000, prise the pillar cover towards the inside of the car and remove it.



UPPER PILLAR COVER

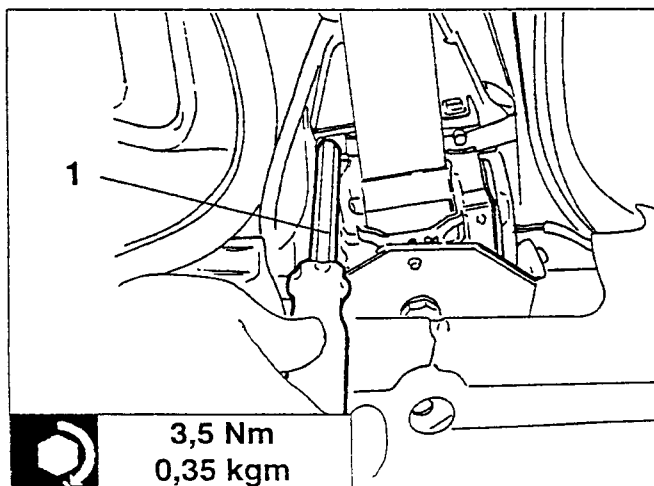
REMOVAL/REFITTING

- Remove the lower pillar cover (see specific paragraph)

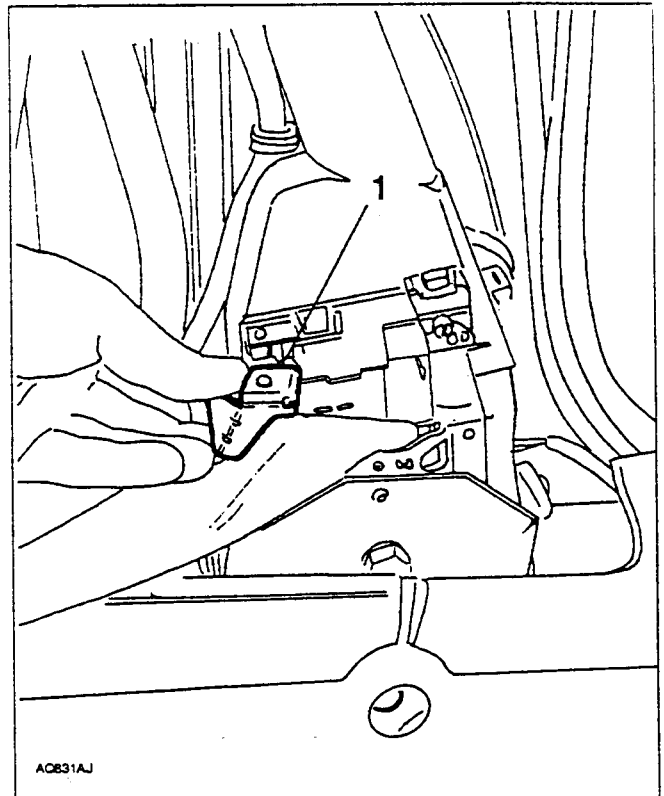


The vehicle is fitted with safety belts with pretensioner: **ALWAYS** take extreme care and **CLOSELY** adhere to safety regulations when working on the belts or near to them (see specific paragraph).

1. Slacken and remove the screw fastening the pretensioning device "safety" bracket.

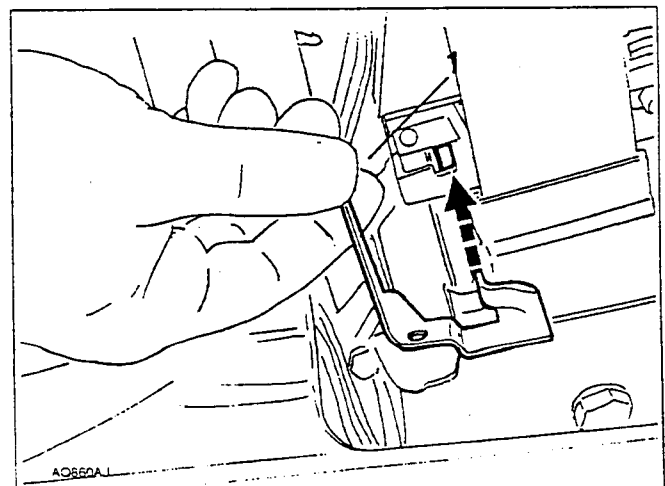


1. Separate the inner bracket from the retainer pin on the inertia reel to "disable" the pretensioner, then remove it from the pillar.



1. Through the special window make sure that the security device has been engaged checking that the spring shown by the arrow has returned to the rest position (towards the inside of the car); if not, suspend the procedure and be very careful because the device may be triggered.

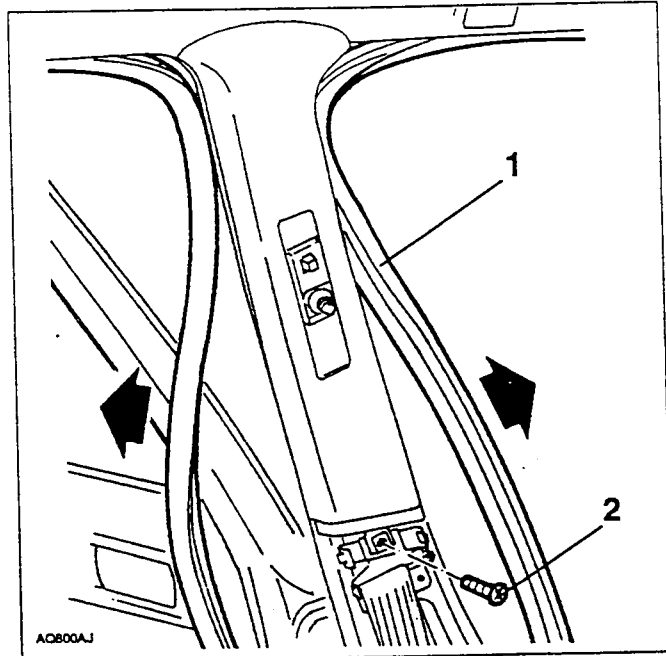
NOTE: when the inner bracket is in position its tooth presses on the spring causing the release of the security device.



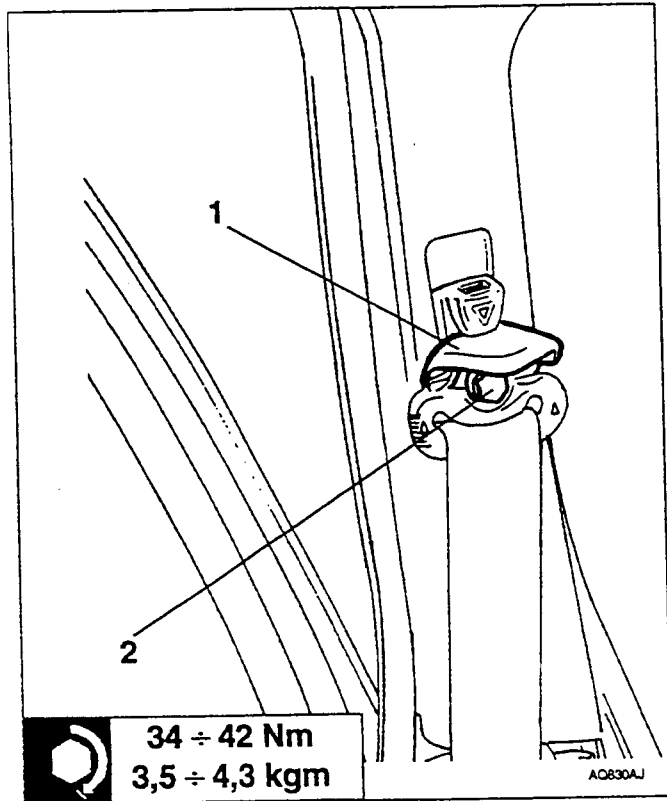


The operator must wear protective items (polyethylene gloves, safety goggles, ear muffs), never go near with the face and keep as far away as possible when carrying out the operation.

1. Remove the upper trim cap fastened to the height adjustment device.
2. Slacken the nut, then remove it.

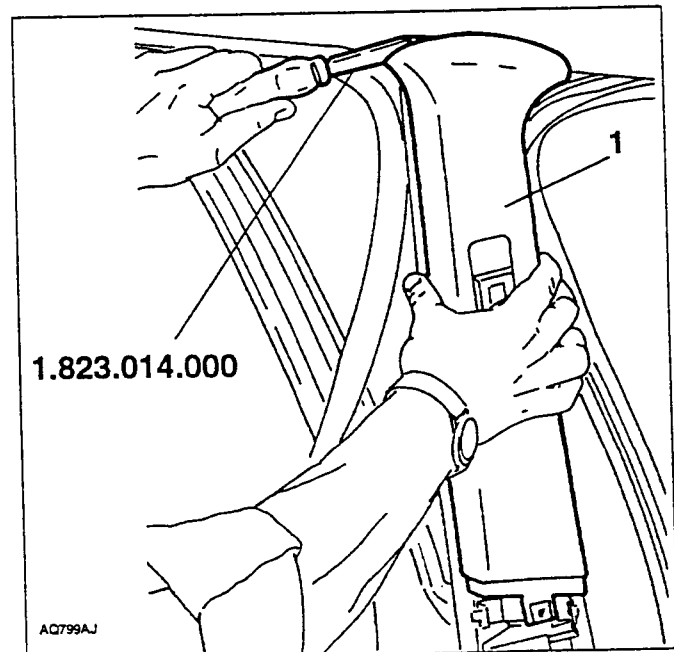


1. Using tool 1.823.014.000, prise the upper pillar cover and remove it complete with the sliding plate.



34 ÷ 42 Nm
3,5 ÷ 4,3 kgm

1. Remove the plastic trim cap.

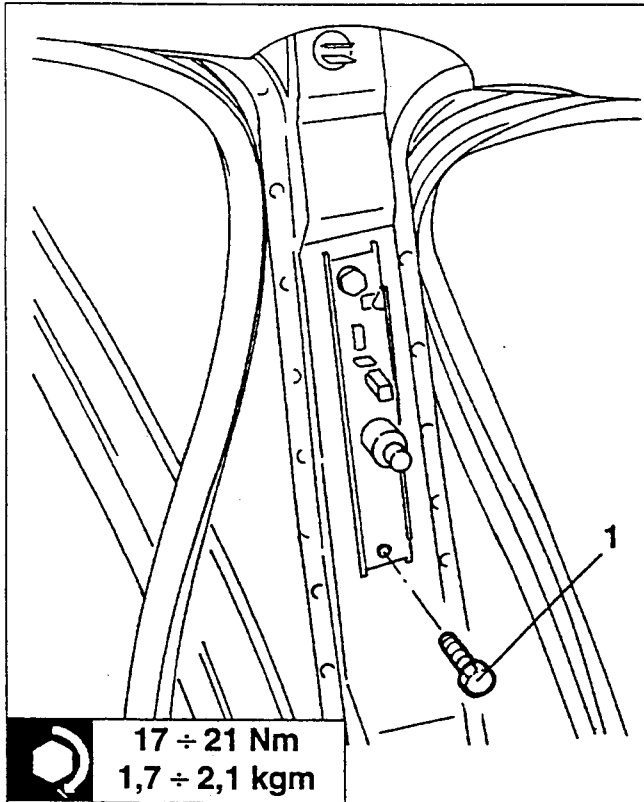


FRONT SEAT BEL HEIGHT ADJUSTMENT DEVICE

REMOVAL/REFITTING

1. Carefully partially remove the door seals.
2. Slacken and remove the lower screw fastening the pillar cover.

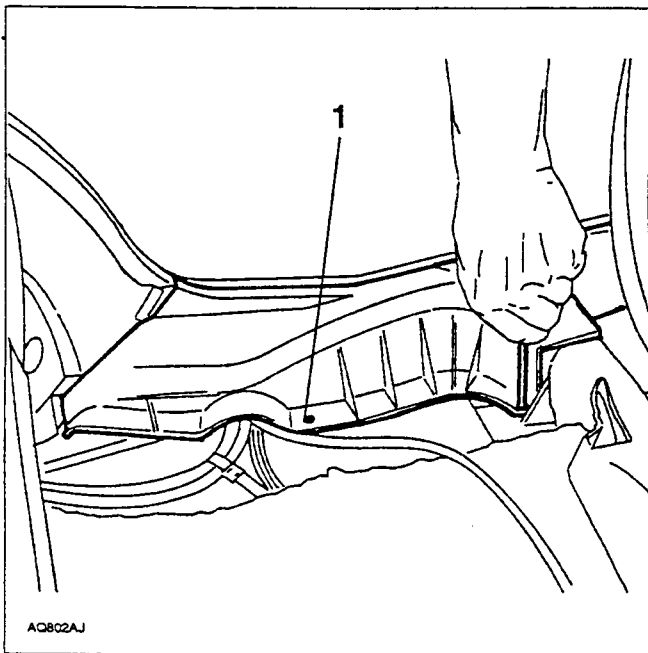
- Remove the upper pillar cover (see spec. par.)
1. Slacken the two fastening screws and remove the safety belt height adjustment device.



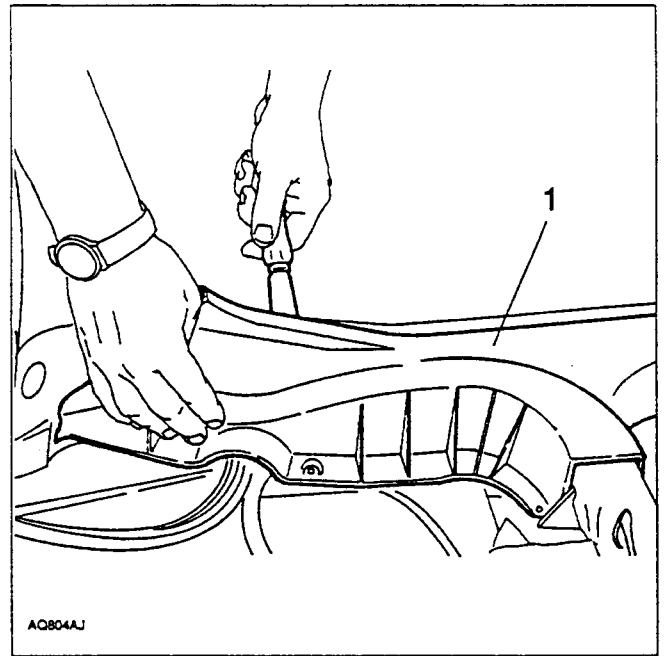
REAR HEELBOARD

REMOVAL/REFITTING

- Fold the rear seat.
- 1. Slacken and remove the three heelboard fastening screws.



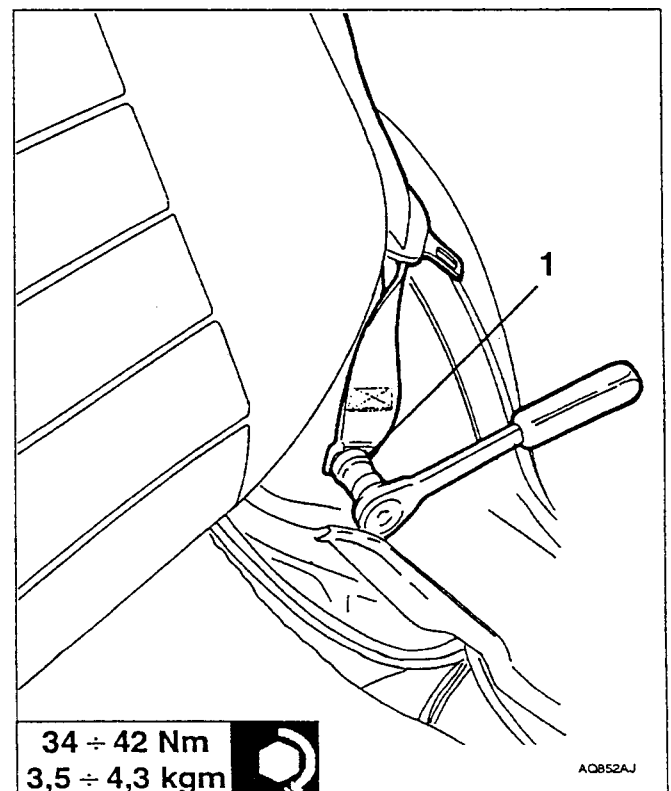
- 1. Using tool 1.823.014.000, prise the rear heelboard and remove it.



WHEELHOUSE TRIM

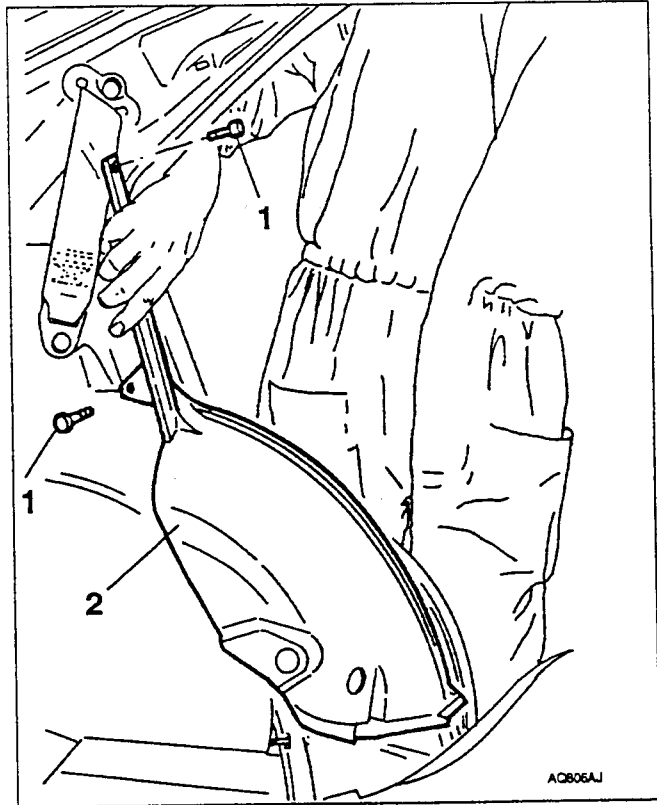
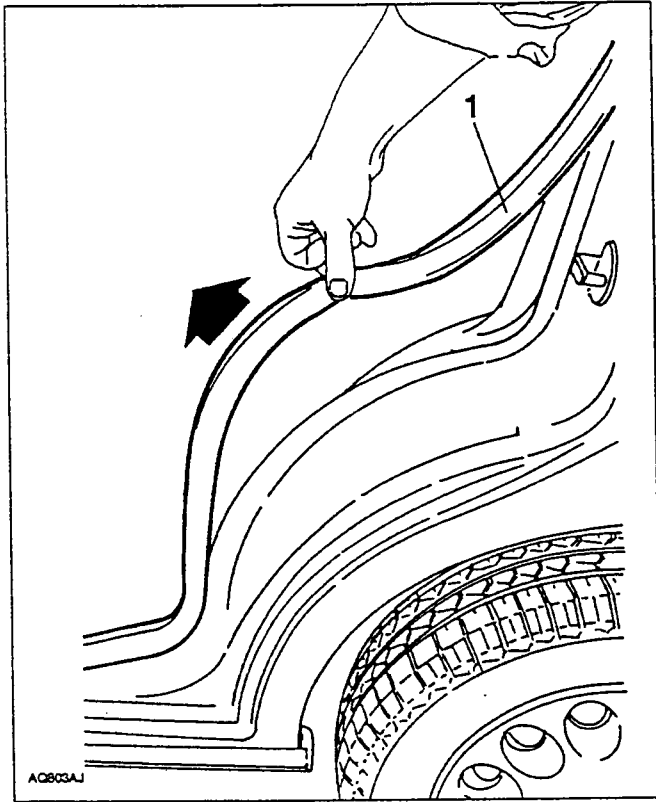
REMOVAL/REFITTING

- Remove the rear heelboard (see specific paragraph)
- 1. Remove the plastic cap.
- 2. Remove the seat belt lower lockscrew and free the belt.



AQ852AJ

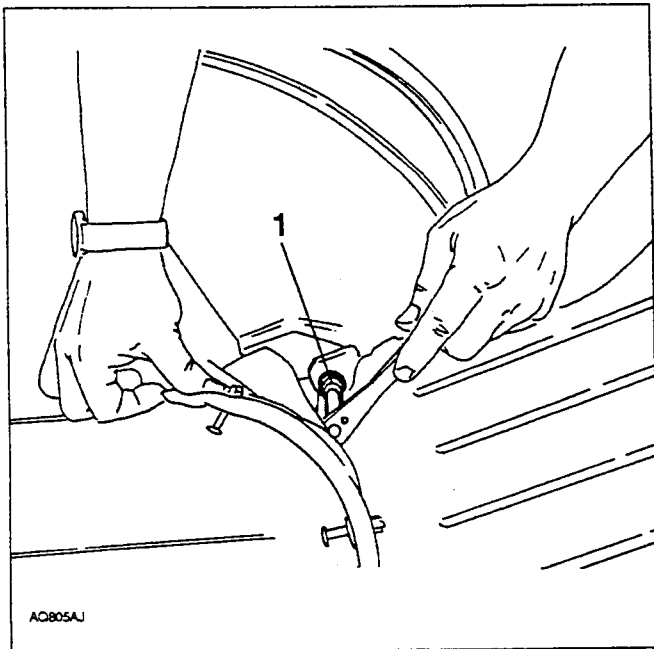
- Fold the rear seat back.
 - Partially remove the luggage compartment floor trim.
1. Partially remove the door seal.



FRONT HEELBOARD

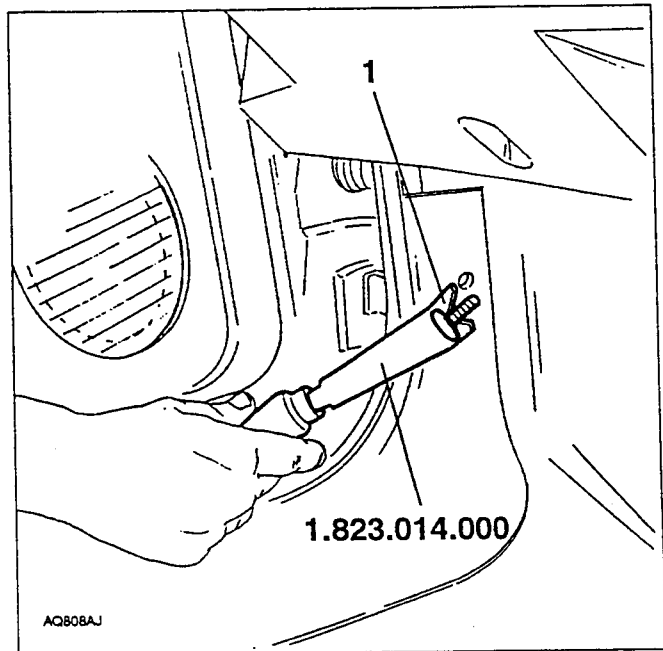
REMOVAL/REFITTING

1. Remove the seat back fastening screw.

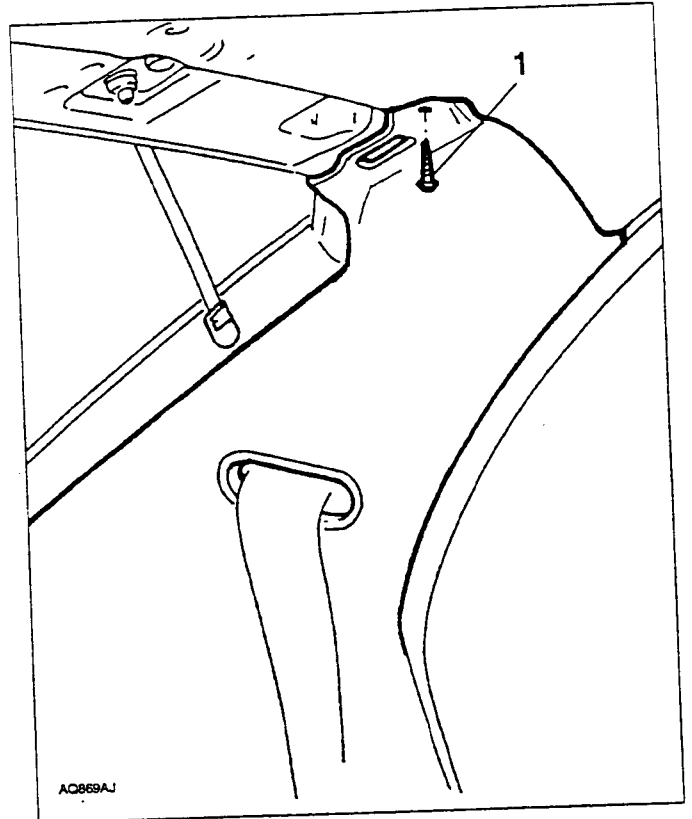
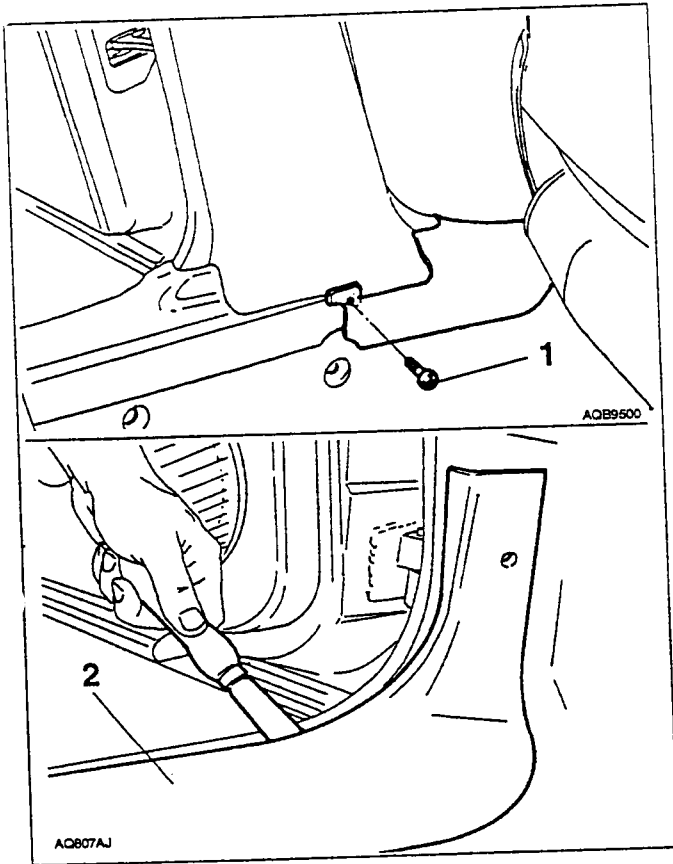


1. Slacken and remove the upper and side screws fastening the wheel arch liner.
2. Remove the wheel arch liner.

1. Using tool 1.823.014.000, remove the front fastening cap.



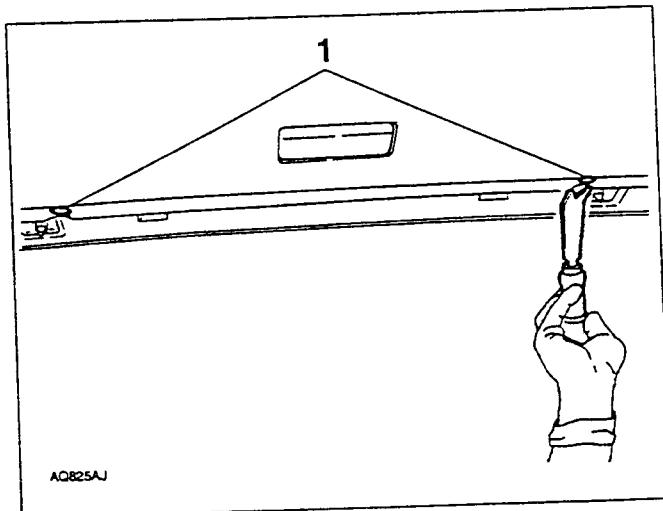
1. Slacken the front heelboard rear fastening screw.
2. Using tool 1.823.013.000, remove the front heelboard.



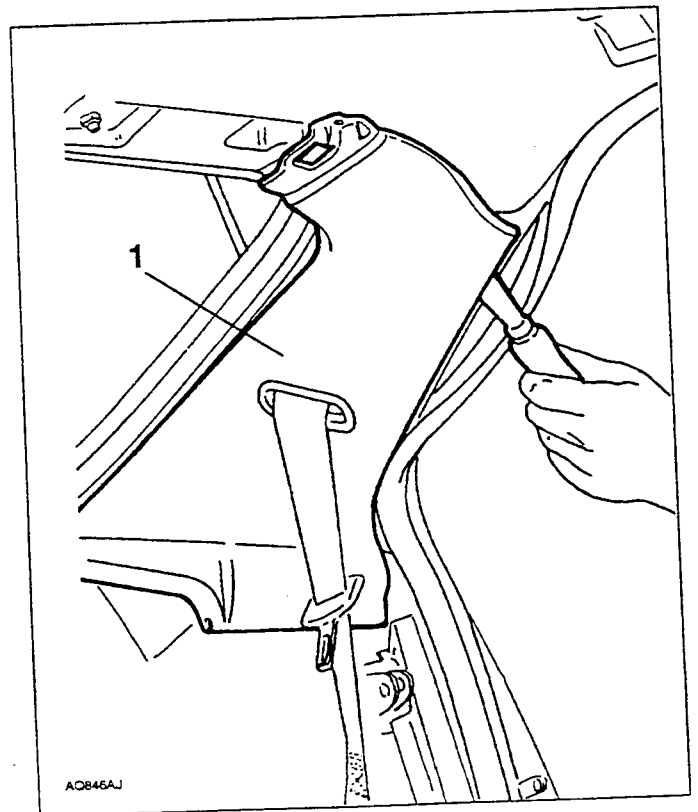
ROOF PANEL TRIM (for versions without Sunroof)

REMOVAL/REFITTING

- Disconnect the battery negative pole (-).
 - Remove the front seats (see specific paragraph).
1. Using tool 1.823.014.000, release the rear roof panel trim from the plastic nails and remove it.

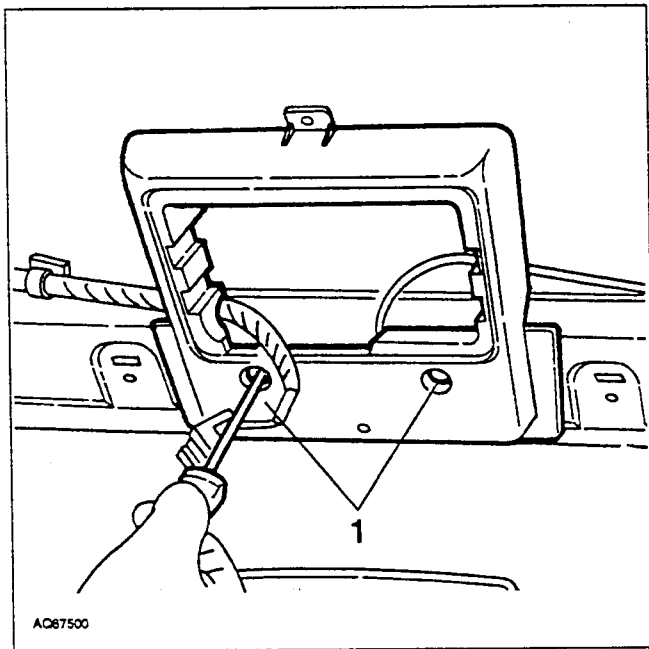


1. Using tool 1.823.014.000, release the pillar cover bracket and remove it withdrawing the safety belt.

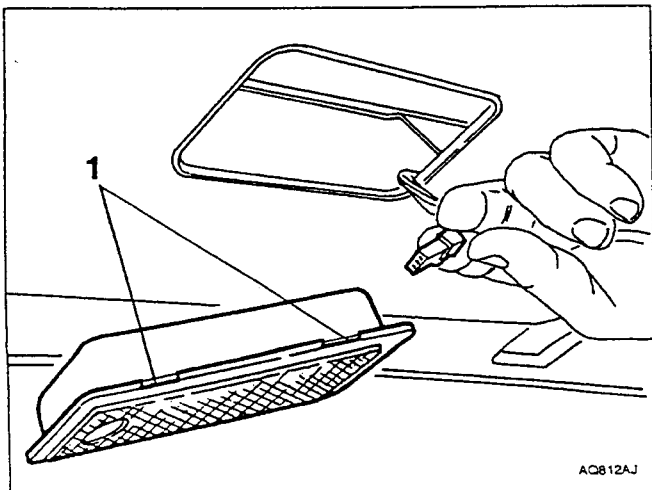


1. Slacken and remove the upper screw fastening the pillar cover side brackets.

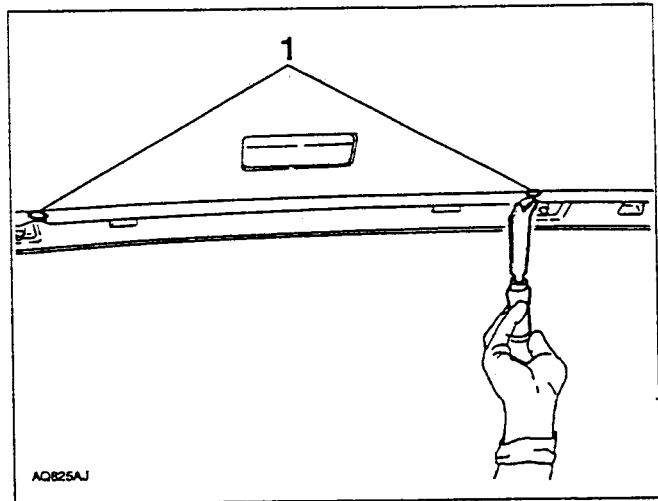
- Remove the upper centre pillar covers (see specific paragraph).
 - Remove the front pillar covers (see specific paragraph).
 - Remove the sun visors (see specific paragraph).
 - Remove the inner rearview mirror (see specific paragraph).
 - Remove the passenger grab handles (see specific paragraph).
 - Remove the caps on the driver's side (see specific paragraph).
 - Remove the front courtesy light (see specific paragraph).
1. Slacken the two screws fastening the courtesy light support.



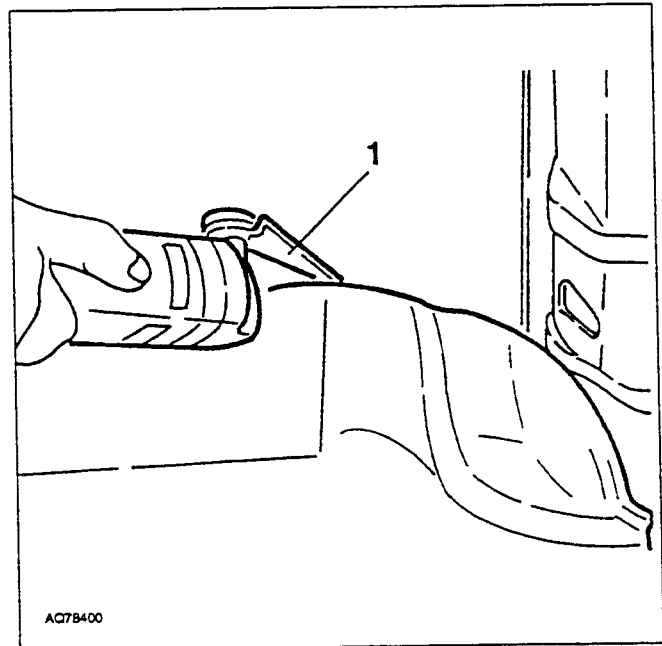
1. Release the courtesy light using a screwdriver in the two notches on the frame to free the catches, disconnect the electrical connector and remove the light.



- Carefully partially move aside the front and rear door seals.
1. Remove the two rear plastic nails.



1. Lower the rear section of the roof panel trim enough to cut the glue as illustrated.

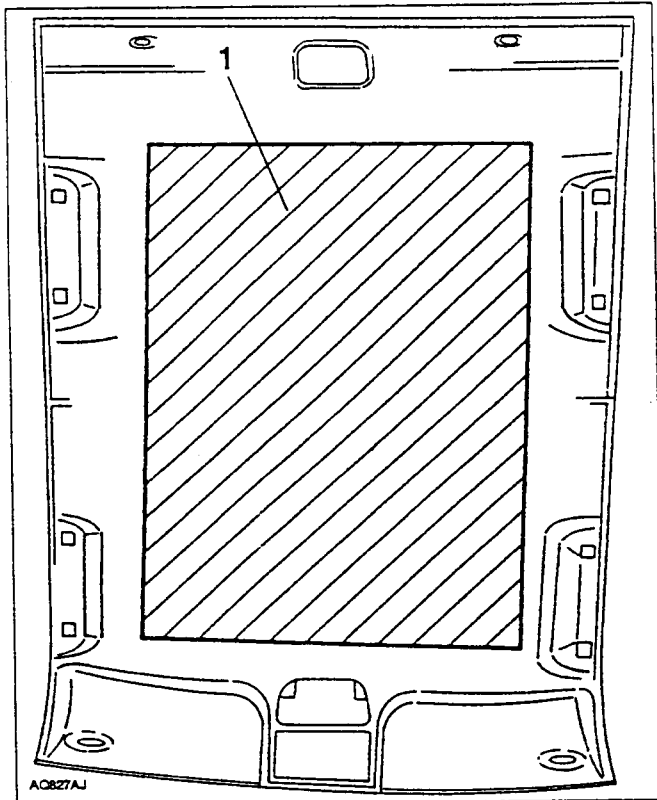


- Remove the roof panel trim.

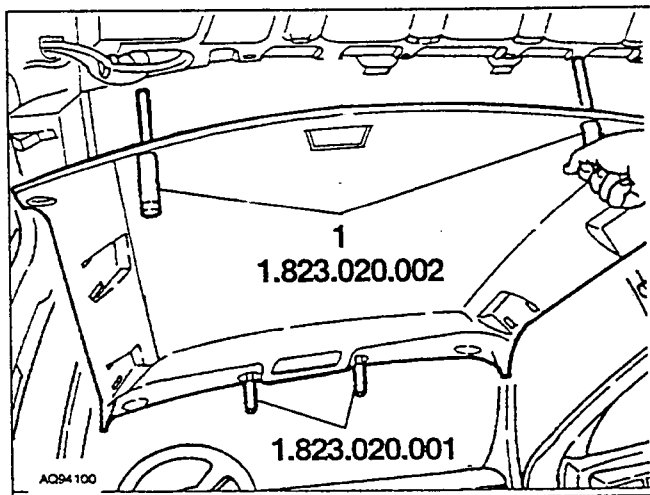


When refitting the roof panel trim, reverse the sequence followed for removal and observing the instructions below.

1. Coat the roof panel trim and the roof panel with the specified glue in the area illustrated below.



1. Position the roof panel trim using guide pins **1.823.020.002** and **1.823.020.001**, as illustrated and press it with the hands in the areas coated with glue.



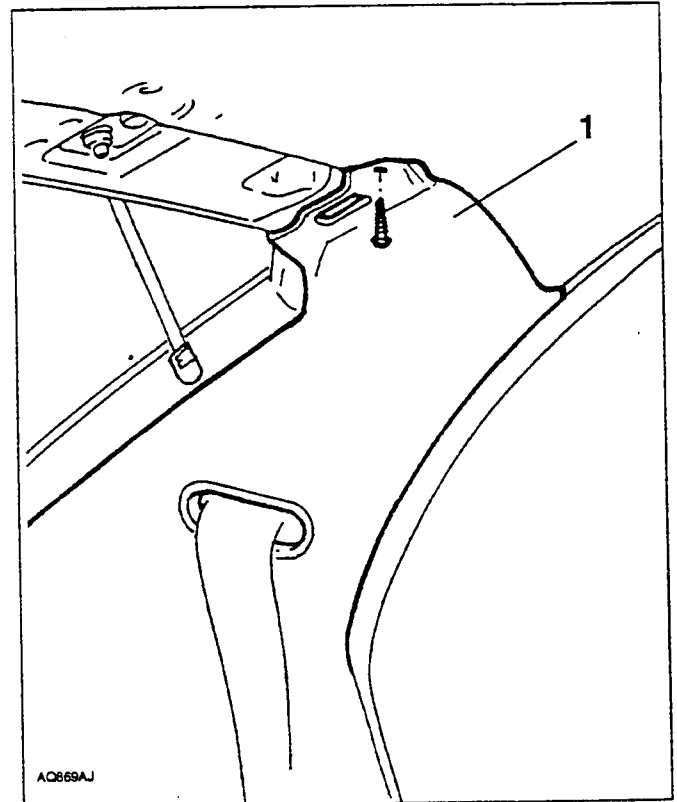
ROOF PANEL TRIM (for versions with sunroof)

REMOVAL/REFITTING

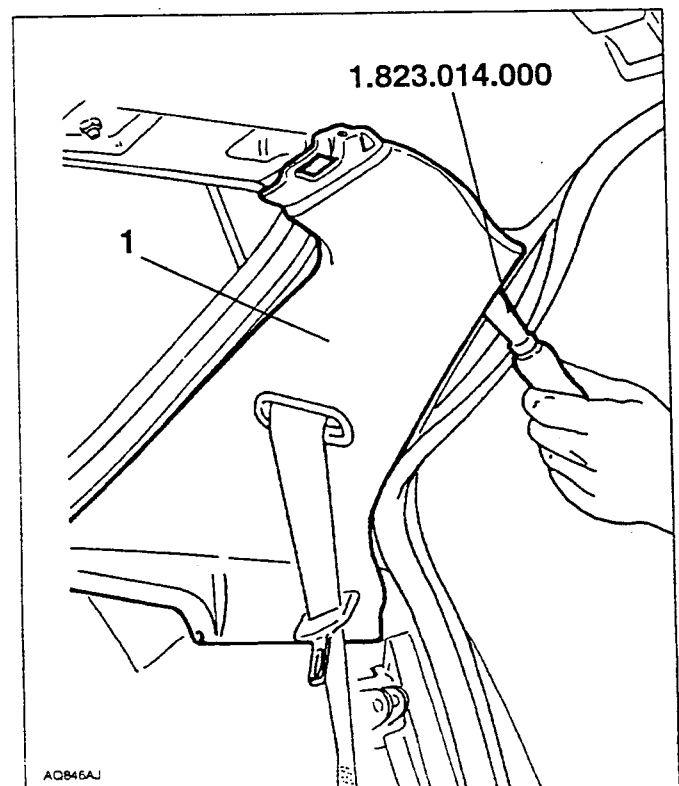
- Disconnect the battery negative pole (-).
- Remove the front seats (see specific paragraph).

- Using tool **1.823.014.000**, release the rear roof panel trim from the plastic nails and remove it.

1. Slacken and remove the upper screw fastening the pillar cover side brackets.

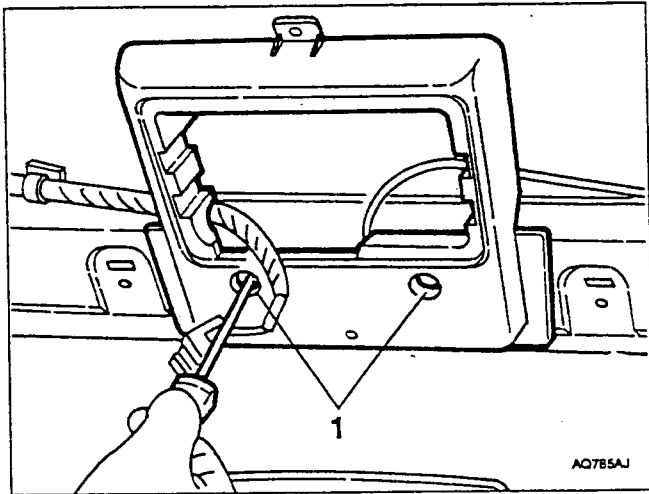


1. Using tool **1.823.014.000**, release the pillar cover bracket and remove it withdrawing the safety belt.

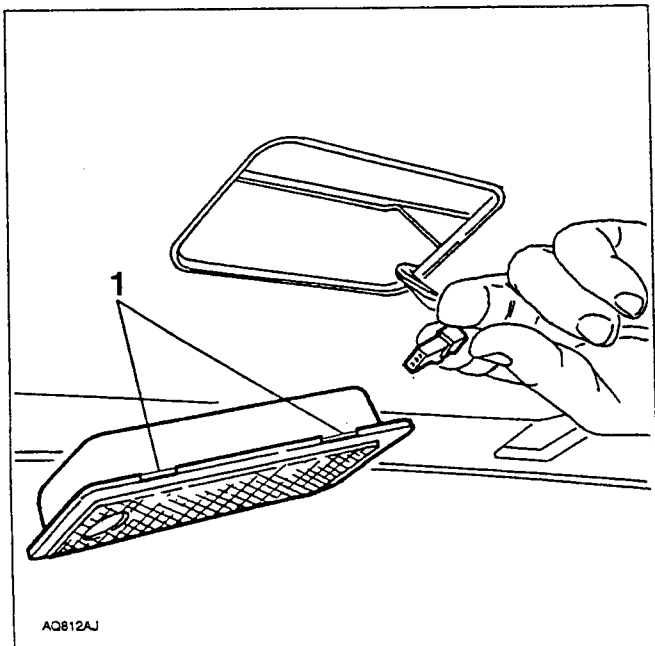


- Remove the upper centre pillar covers (see specific paragraph).
- Remove the front pillar covers (see specific paragraph).
- Remove the sun visors (see specific paragraph).
- Remove the inner rearview mirror (see specific paragraph).
- Remove the passenger grab handles (see specific paragraph).
- Remove the caps on the driver's side (see specific paragraph).
- Remove the front courtesy light (see specific paragraph).

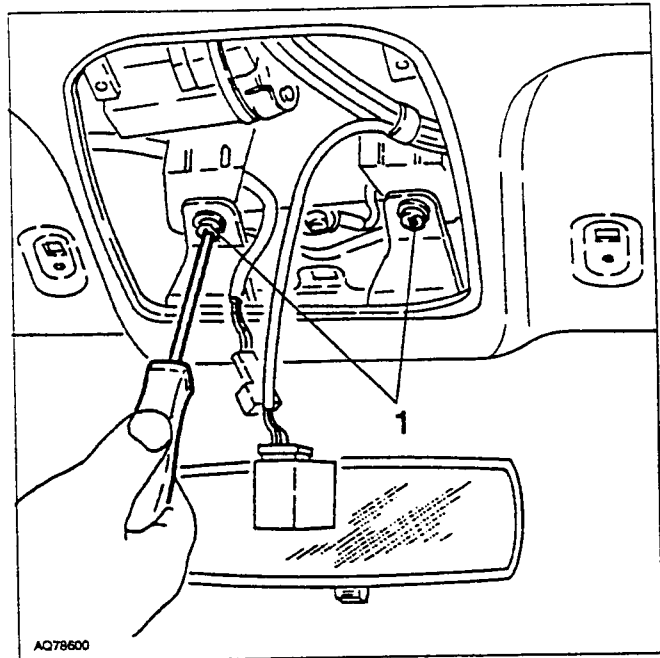
1. Slacken the two fastening screws and remove the courtesy light support.



1. Release the rear courtesy light with a screwdriver, disconnect the electrical connection and remove it.

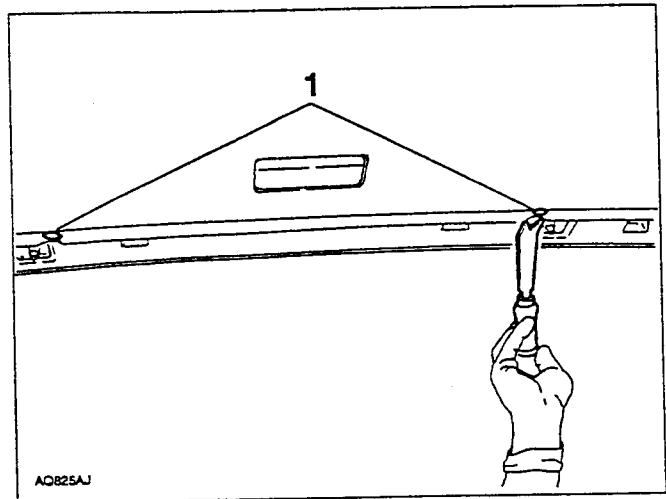


1. Slacken the two roof panel trim front fastening screws.

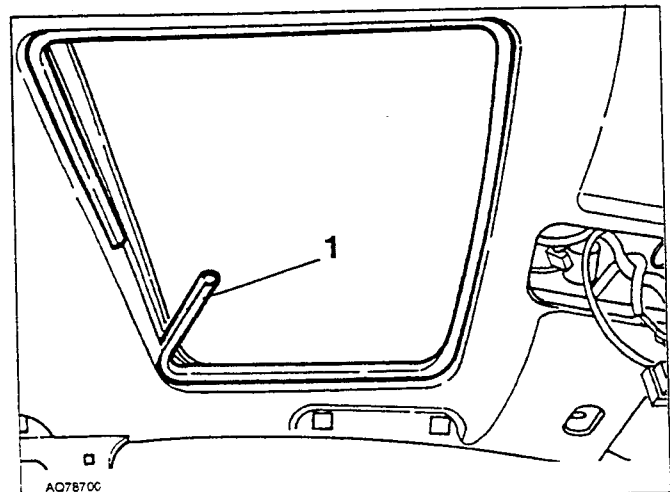


- Carefully partially move aside the front and rear door seals.

1. Remove the two rear plastic nails
2. Remove the two rear buttons.



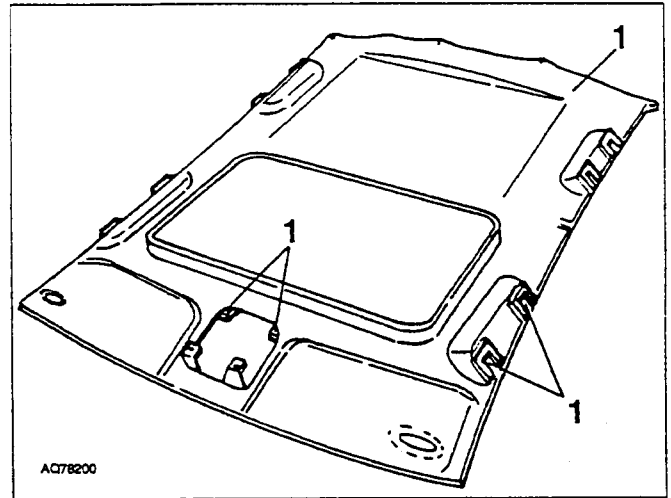
1. Release and remove the sunroof seal.



- Remove the roof panel trim firstly moving it towards one side in order to release it from the other and retrieve it drawing it out through the front door.



When refitting make sure that on the roof panel trim there are all the seals illustrated and the clamps for the front fastening screws.

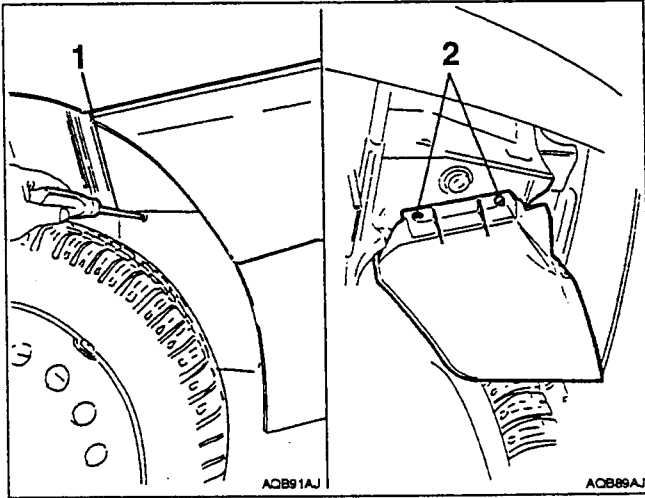


REAR BUMPER

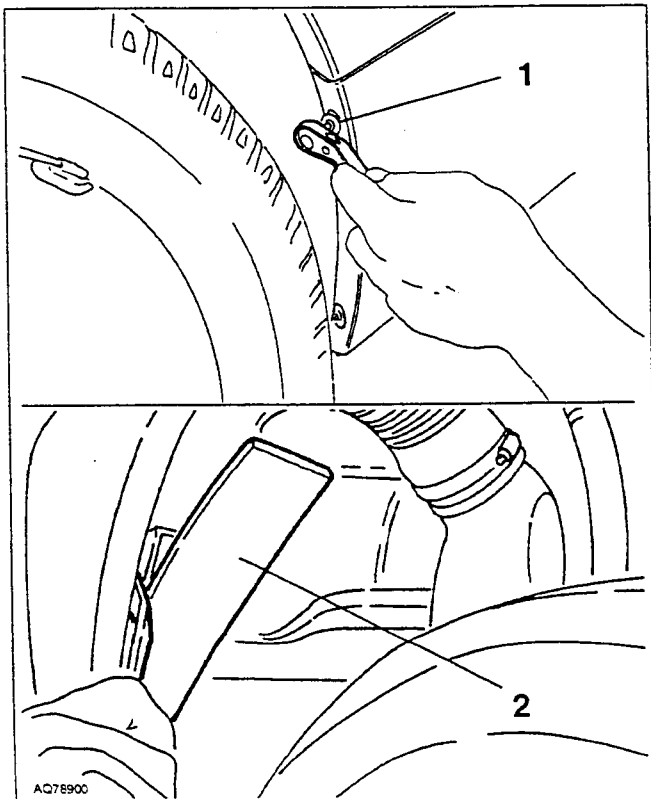
REMOVAL

- Raise the car just enough to gain access to the side screw fastening the left-hand wheelhouse.

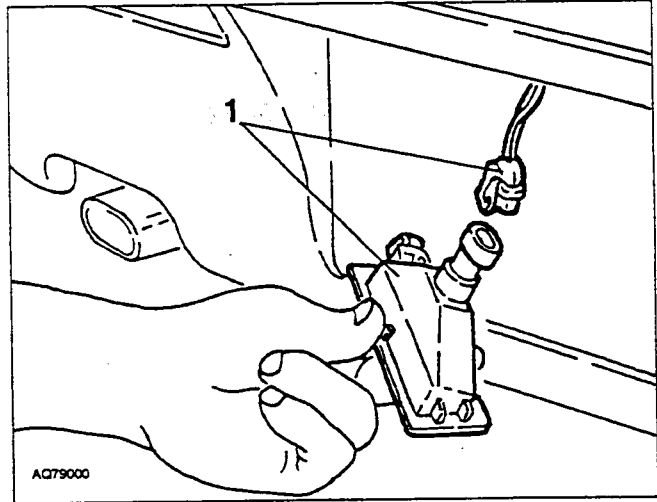
1. Slacken and remove the side screw fastening the left-hand wheelhouse.
2. Slacken and remove the upper wheelhouse fastening nuts (one for the left-hand wheelhouse and one for the right-hand wheelhouse).



1. Using ratchet wrench **1.822.132.000**, slacken and remove the four screws fastening the left-hand and right-hand wheelhouse to the bumper.
2. Prise and remove the wheelhouse; lower the car.

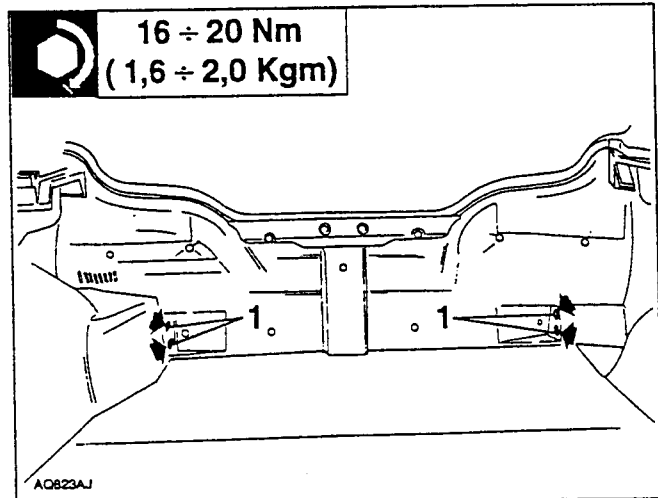


1. Prise the number plate lights and remove them after disconnecting the electrical connections.



- Remove the two rear luggage stay hooks.

1. Move aside the trim and slacken the four bumper fastening screws, two for each side.



1. Remove the bumper, pulling from the rear of the car.

