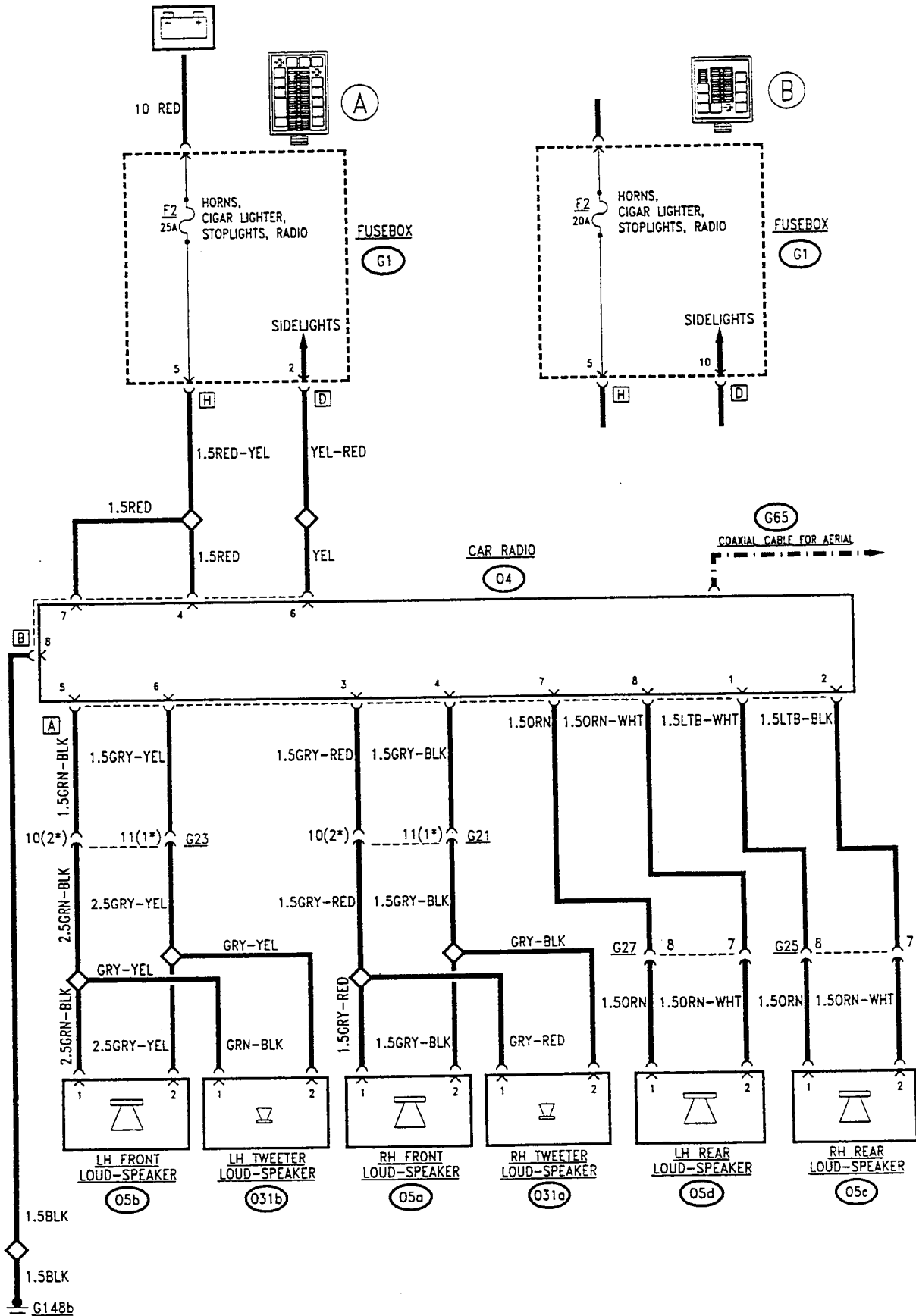


## CAR RADIO

### INDEX

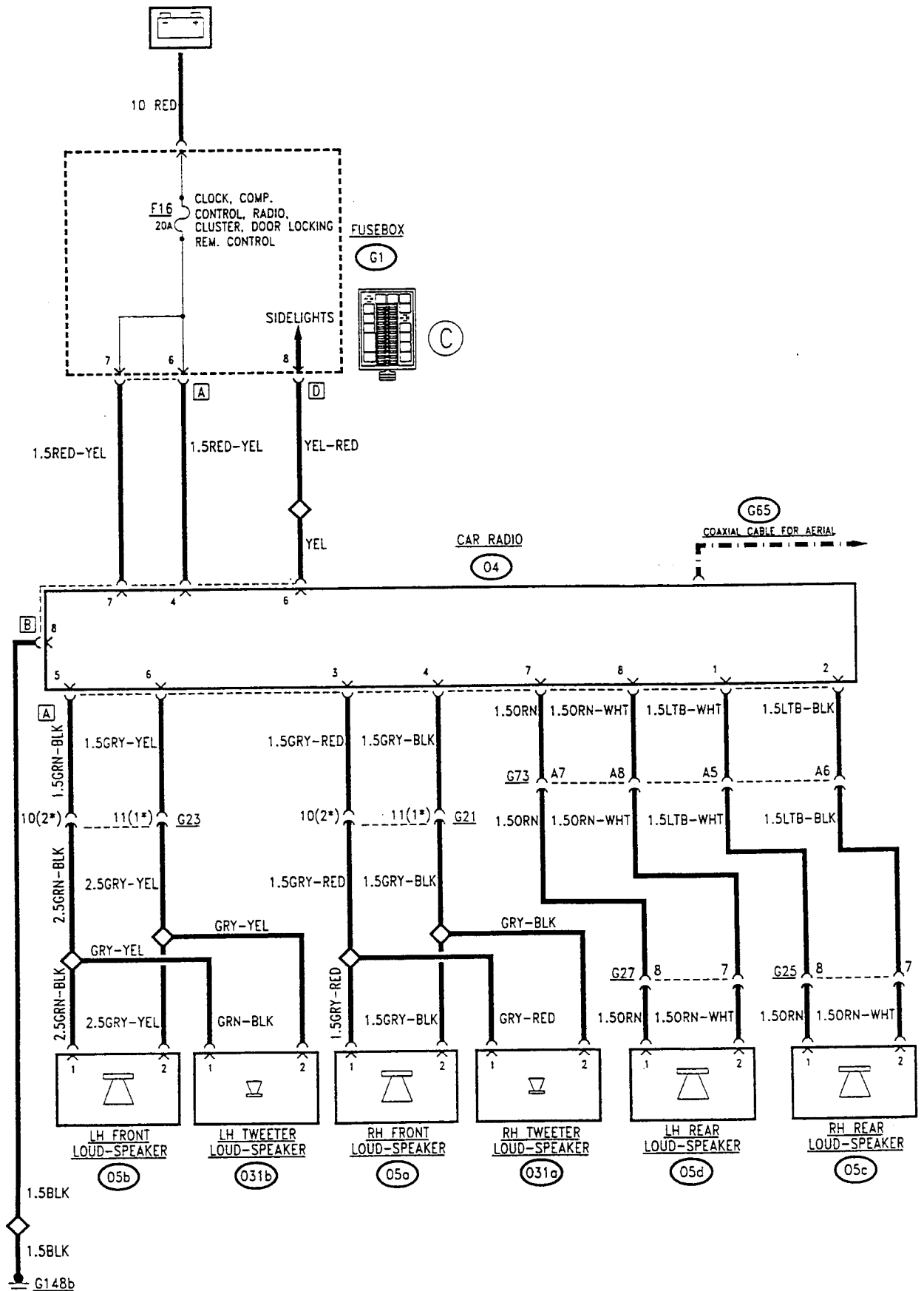
WIRING DIAGRAM . . . . .	19-2
GENERAL DESCRIPTION . . . . .	19-3
FUNCTIONAL DESCRIPTION . . . . .	19-3
COMPONENTS AND CONNECTORS . . . . .	19-4
LOCATION OF COMPONENTS . . . . .	19-7
FAULTFINDING TABLE . . . . .	19-8
CHECKING COMPONENTS . . . . .	19-8

## WIRING DIAGRAM



(\* variant for cars without power windows and central door locking/antitheft device)

## WIRING DIAGRAM



(\* ) variant for cars without power windows and central door locking/antitheft device



## GENERAL DESCRIPTION

The car is pre-wired for the installation of a car radio system complete with six speakers.

Upon request a fixed radio is supplied with two front speakers 165 mm in diameter with 2 separate tweeters, and two rear two-way speakers 130 mm in diameter.

The front speakers are located at the sides in the lower part of the front doors, with the tweeters on the pillar, while the rear speakers are the centre of the rear doors

The aerial is a "stylus" type fitted on the roof panel and it is connected to the radio by a coaxial cable.

The radio is supplied directly from the battery; this makes it possible to memorise tuning, safety codes, etc. in the radio set.

An anti-disturbance condenser has also been fitted inside the stop lights switch **H3** to ensure "electronic silencing" towards the electric services that might interfere on the radio circuit.

The fixed radio is installed during production: it is a **PHILIPS DC 710/255** radio with RDS decoder and cassette player; the radio has a removable front panel to protect against theft and an internal security code for further protection. All the details about the features of the radio and how it works are described in the Instructions Handbook supplied with it.

## FUNCTIONAL DESCRIPTION

The radio **O4** is supplied directly by battery current via fuse **F2** (**F16** for box "C") of fusebox **G1**: the supply for memory storage, etc. reaches pin 4 of connector **B**, while the power supply for operating the radio reaches pin 7 of the same connector.

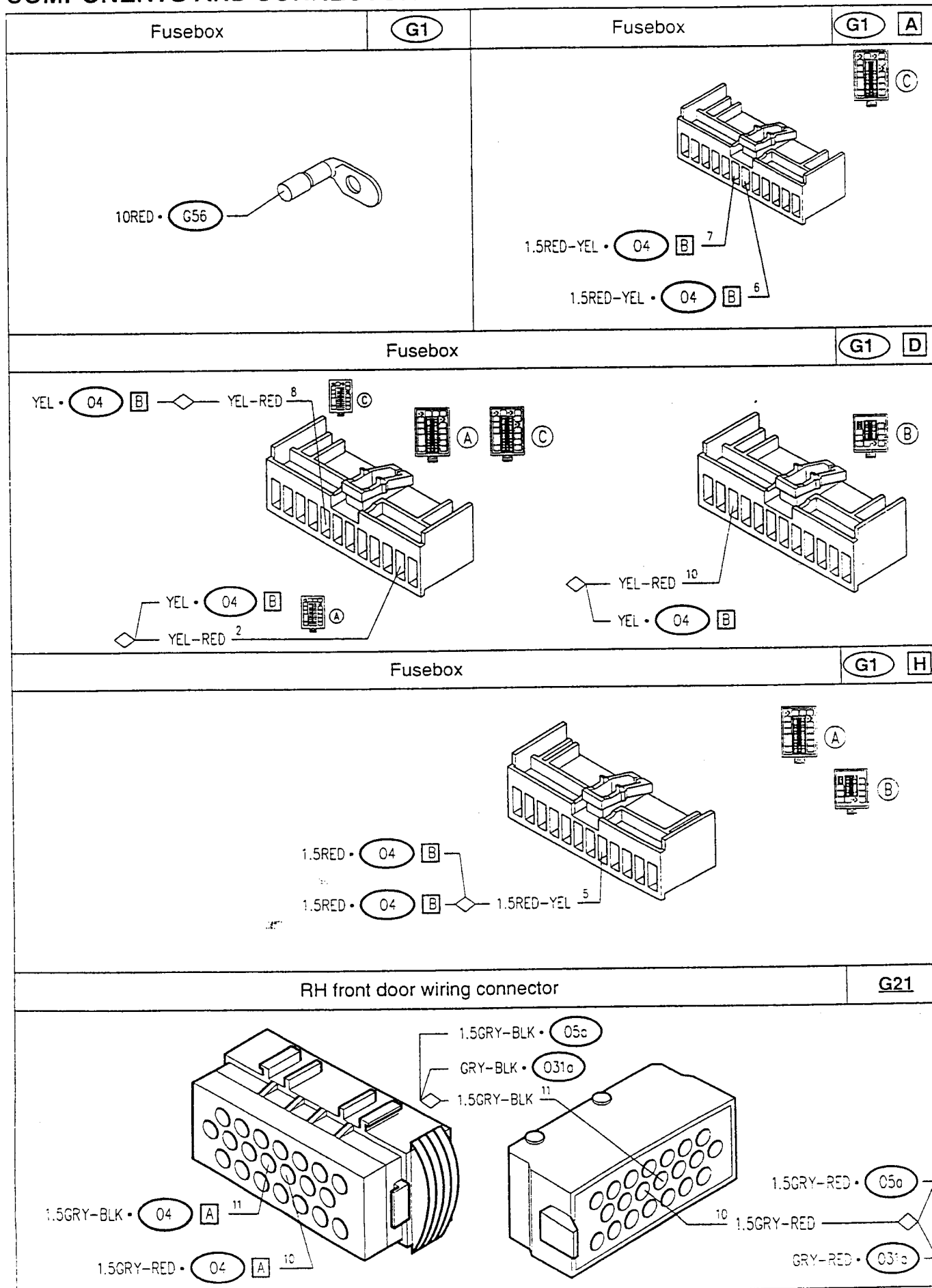
Pin 8 of connector **B** is earthed.

The "side lights on" signal reaches pin 6.

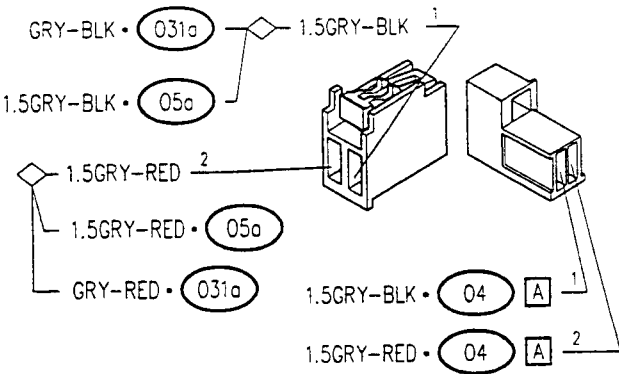
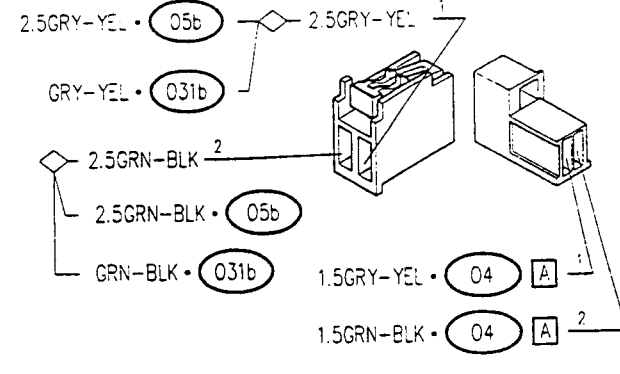
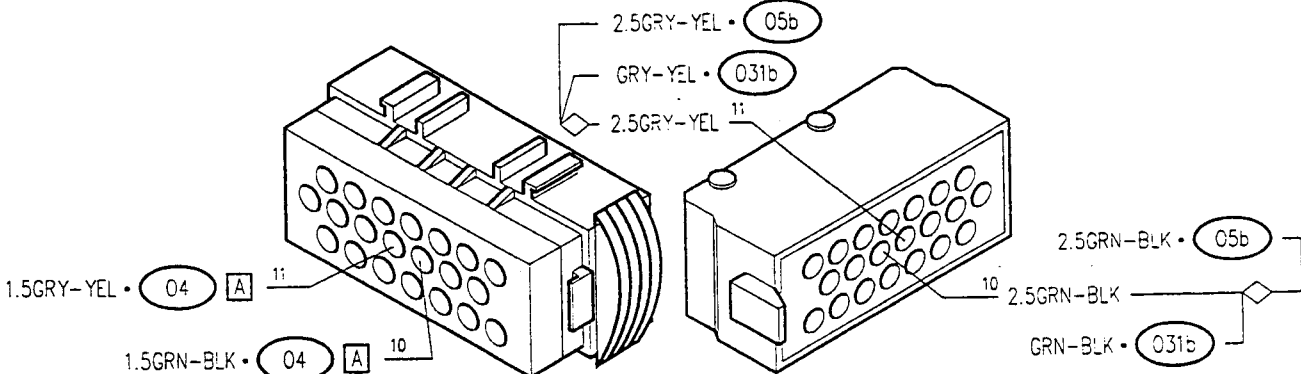
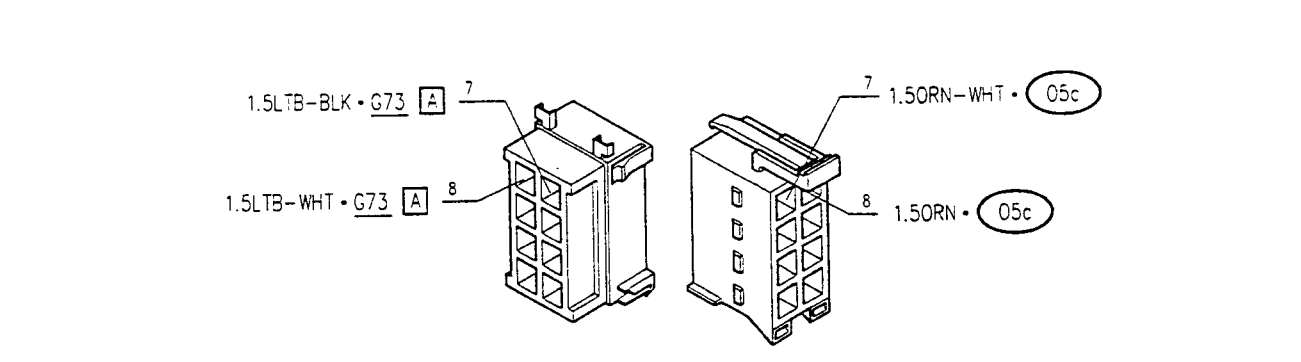
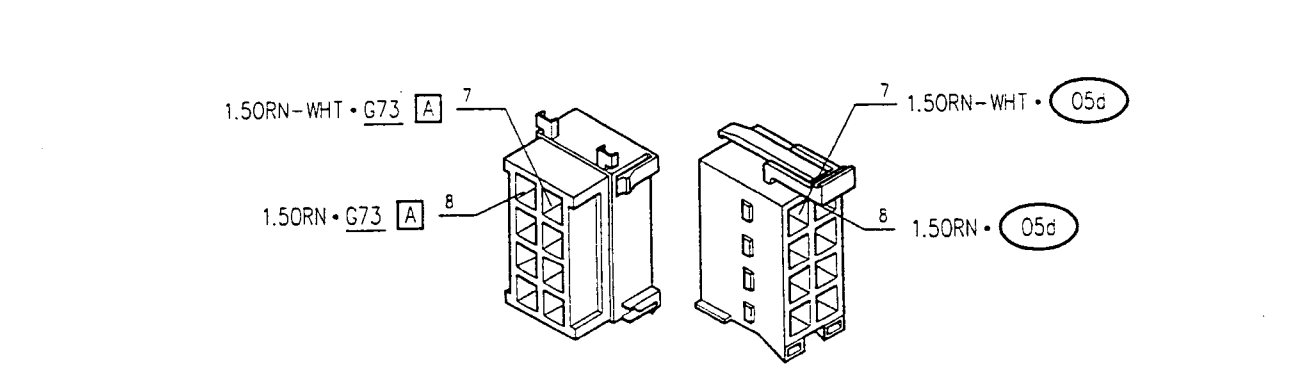
The cables carrying the signals lead from connector **A** of **O4** to the six speakers.

The aerial is connected to the radio via the special screened coaxial cable **G65**.

## COMPONENTS AND CONNECTORS

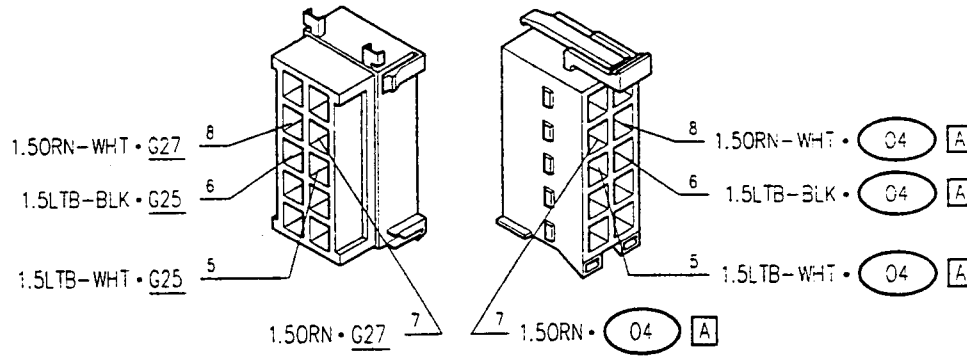
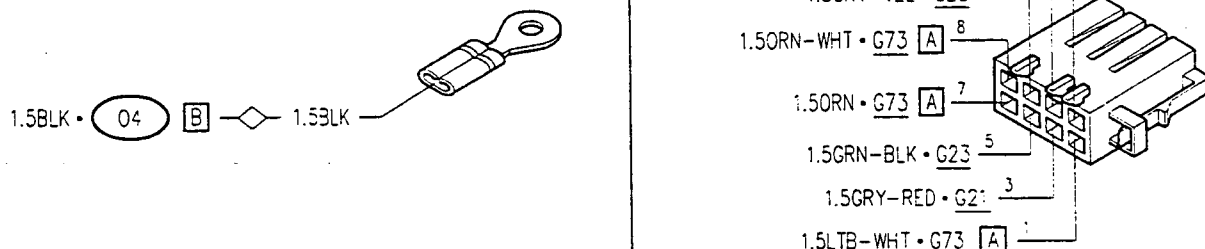
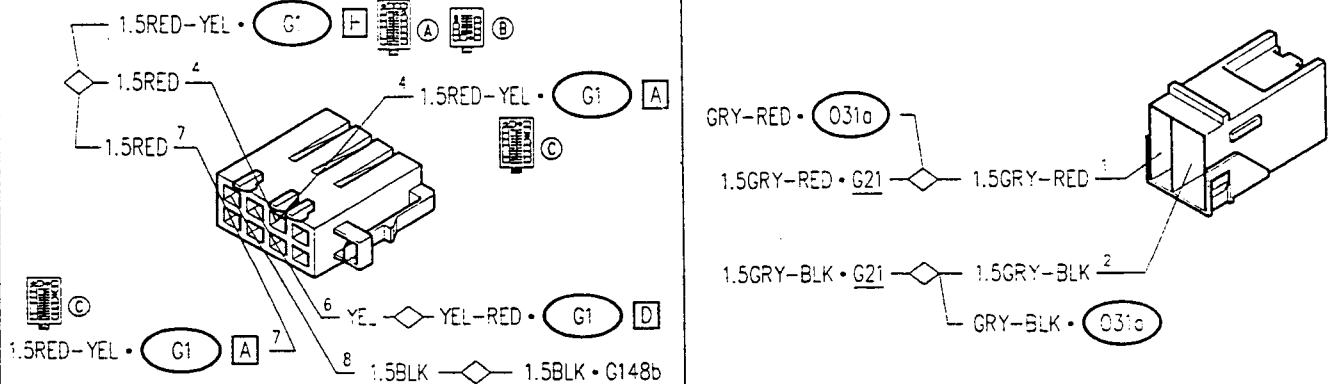
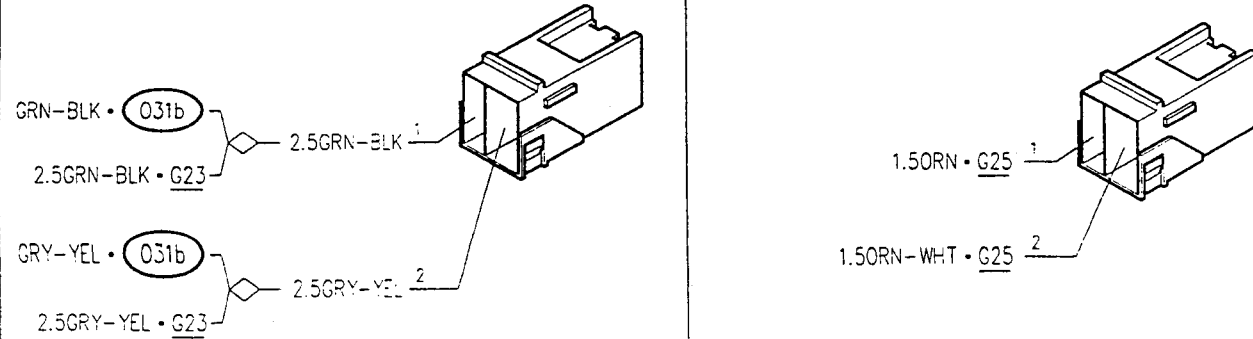


## COMPONENTS AND CONNECTORS (cont.d)

RH front door wiring connector (*)	<b>G21</b>	LH front door wiring connector (*)	<b>G23</b>
 <p>           GRY-BLK • 031a            1.5GRY-BLK • 05a            1.5GRY-RED • 05a            GRY-RED • 031a            1.5GRY-BLK • 04 A            1.5GRY-RED • 04 A         </p>		 <p>           2.5GRY-YEL • 05b            GRY-YEL • 031b            2.5GRN-BLK • 05b            GRN-BLK • 031b            1.5GRY-YEL • 04 A            1.5GRN-BLK • 04 A         </p>	
<b>LH front door wiring connector</b>			<b>G23</b>
 <p>           2.5GRY-YEL • 05b            GRY-YEL • 031b            2.5GRY-YEL 11            1.5GRY-YEL • 04 A 11            1.5GRN-BLK • 04 A 10            2.5GRN-BLK • 05b            2.5GRN-BLK 10            GRN-BLK • 031b         </p>			
<b>RH rear door wiring connector</b>			<b>G25</b>
 <p>           1.5LTB-BLK • G73 A 7            1.5LTB-WHT • G73 A 8            1.5ORN-WHT • 05c            1.5ORN • 05c         </p>			
<b>LH rear door wiring connector</b>			<b>G27</b>
 <p>           1.5ORN-WHT • G73 A 7            1.5ORN • G73 A 8            1.5ORN-WHT • 05c            1.5ORN • 05c         </p>			

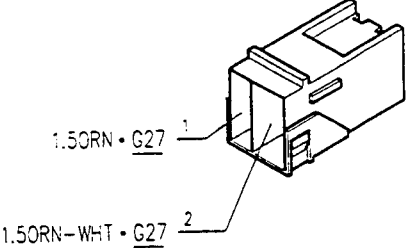
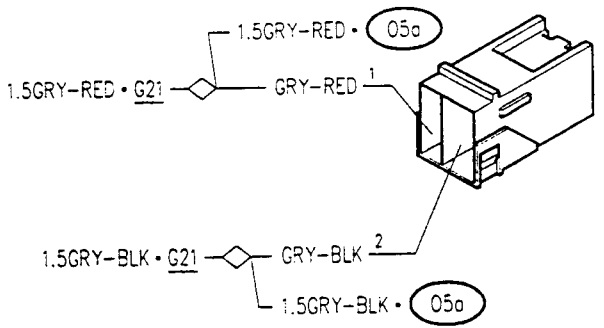
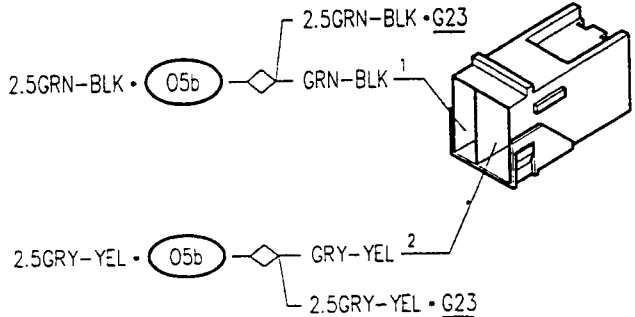
(\*) variant for cars without power windows and central door lock/antitheft device

## COMPONENTS AND CONNECTORS (cont.d)

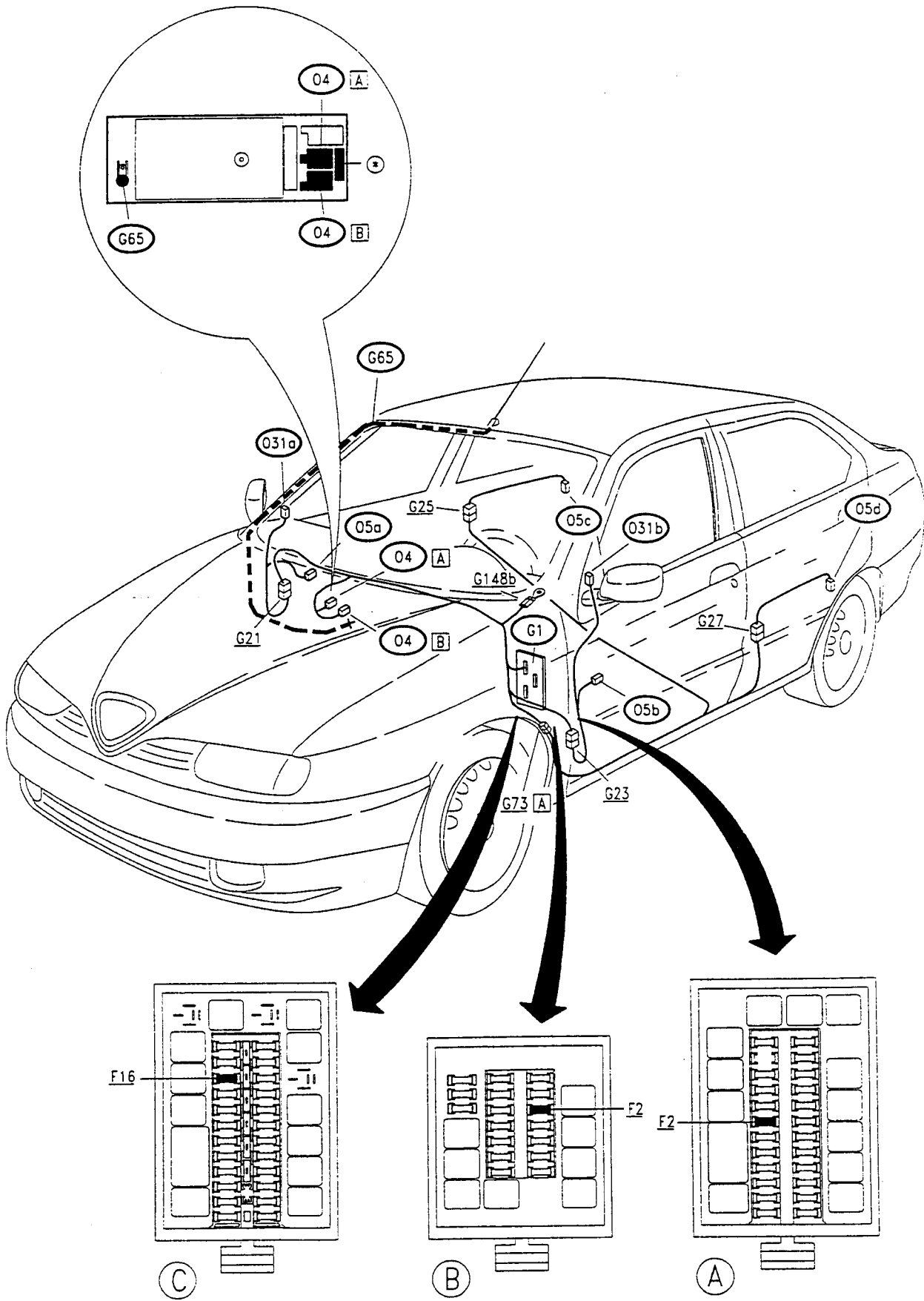
Rear services connector		G73 A
		
Earth under LH dashboard	G148b	Car radio
O4 B	O4 A	O4 A
		
Car radio	O4 B	RH front speaker
O4 A	O5a	O5c
		
LH front speaker	O5b	RH rear speaker
O5b	O5c	O5c
		



## COMPONENTS AND CONNECTORS (cont.d)

LH rear speaker	O5d	RH Tweeter speaker	O31a	
 <p>1.5ORN • G27 1</p> <p>1.5ORN-WHT • G27 2</p>	 <p>1.5GRY-RED • G21 1.5GRY-RED • O5a</p> <p>GRY-RED 1</p> <p>1.5GRY-BLK • G21 1.5GRY-BLK • O5a</p> <p>GRY-BLK 2</p>	<p>LH Tweeter speaker</p>		O31b
 <p>2.5GRN-BLK • G23 2.5GRN-BLK • O5b</p> <p>GRN-BLK 1</p> <p>2.5GRY-YEL • G23 2.5GRY-YEL • O5b</p> <p>GRY-YEL 2</p>				

## LOCATION OF COMPONENTS



(\*) Extra fuse (10A) behind the radio **O4**

## FAULTFINDING TABLE

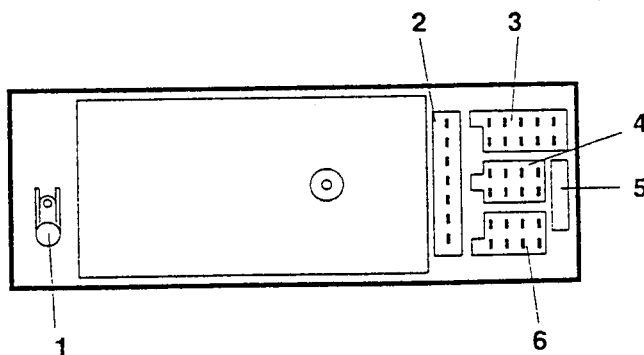
Failure	Component to be checked									
	F2	F15	O4	O5a-O31a	O5b-O31b	O5c	O5d	G65	H3	
Radio power failure (1)	•	•	•							
Poor reception			•						•	
RH front tweeter/speaker not working			•	•						
LH front speaker/tweeter not working			•		•					
RH rear speaker not working			•			•				
LH rear speaker not working			•				•			
Disturbance from other electric services (2)										•

- (1) **PHILIPS DC731** car radio, also check that the extra fuse (10A) on the rear of the radio is intact; change it if necessary.
- (2) If there is a hissing noise or other signs of malfunctioning of the speakers when the stop lights are operated, check that the wiring is correctly connected and that the anti-disturbance condenser in switch **H3** is working properly (see the "Stop lights" section).

## CHECKING COMPONENTS

### Car radio **O4**

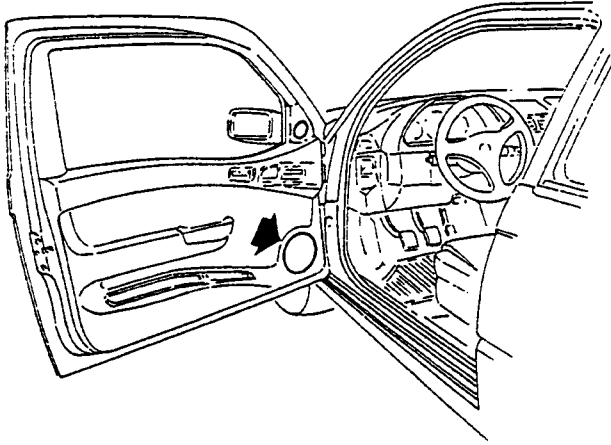
**PHILIPS DC710/255 CAR RADIO:** If any specific functions or devices of the radio itself are not working, consult the "Instructions Handbook" provided with it.



#### view of connectors side

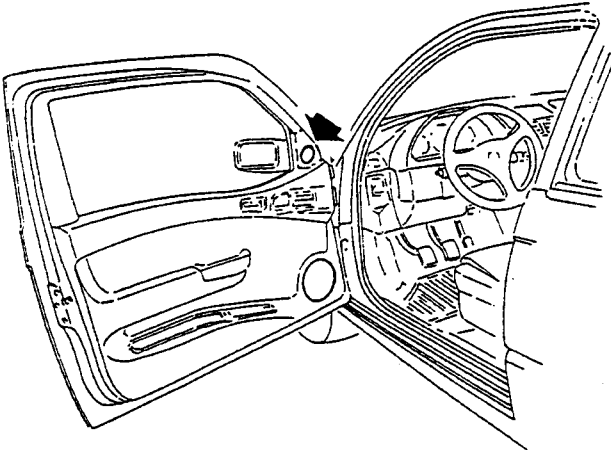
- 1 - connection socket for aerial coaxial cable **G65**
- 2 - connector not connected
- 3 - connector not connected
- 4 - connector **O4 A**
- 5 - extra fuse (10A)
- 6 - connector **O4 B**

## Front speaker (O5a) - (O5b)



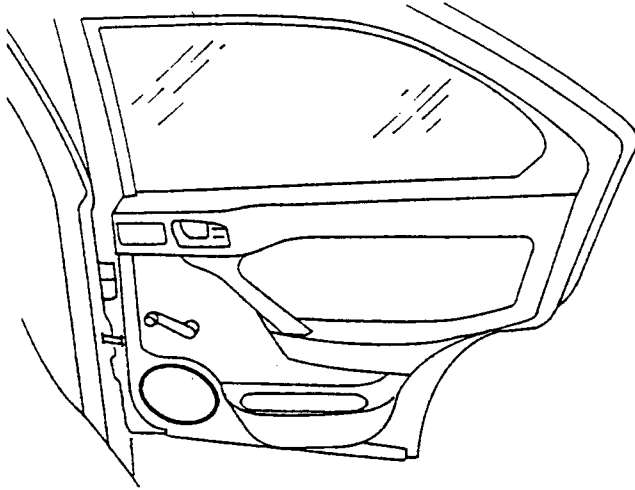
SPECIFICATIONS	
Passband	70 ÷ 12000 Hz
Resonance frequency	70 ± 12 Hz
Nominal impedance	4 ± 20% Ω
Induction	0.72 ± 7% T
RMS Power (DIN 45573)	20 W
Weight	430 ± 10% g.
∅ of speaker	165 mm

## Front Tweeter (O31a) - (O31b)



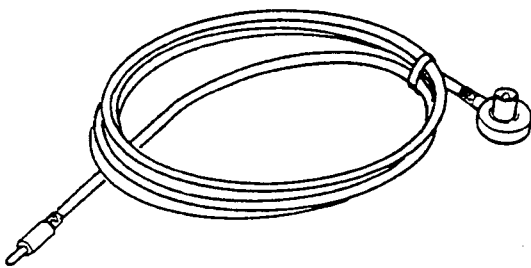
SPECIFICATIONS	
Passband	5000 ÷ 20000 Hz
Resonance frequency	2500 ± 600 Hz
Nominal impedance	4 ± 20% Ω
Induction	1.06 ± 7% T
RMS power (DIN 45573)	30 W
Weight	55 ± 15% g.
Type of crossover	3.3 μF
Crossover frequency	5000 Hz
Type of tweeter	DOME

Rear speaker (O5c) - (O5d)



SPECIFICATIONS	
Passband	105 ÷ 20000 Hz
Resonance frequency	105 ± 22 Hz
Nominal impedance	4 ± 20% Ω
Induction	1 ± 7% T
RMS power (DIN 45573)	20 W
Weight	375 ± 5% g.
∅ of speaker	130 mm
Type of tweeter	PIEZO

Aerial coaxial cable (G65)



SPECIFICATIONS	
Total resistance (between plug and socket screens)	< 95 mΩ
Internal conductor resistance	≤ 2.2 Ω
Total capacity (measured on plug at 1 MHz)	103 ± 15% pF

