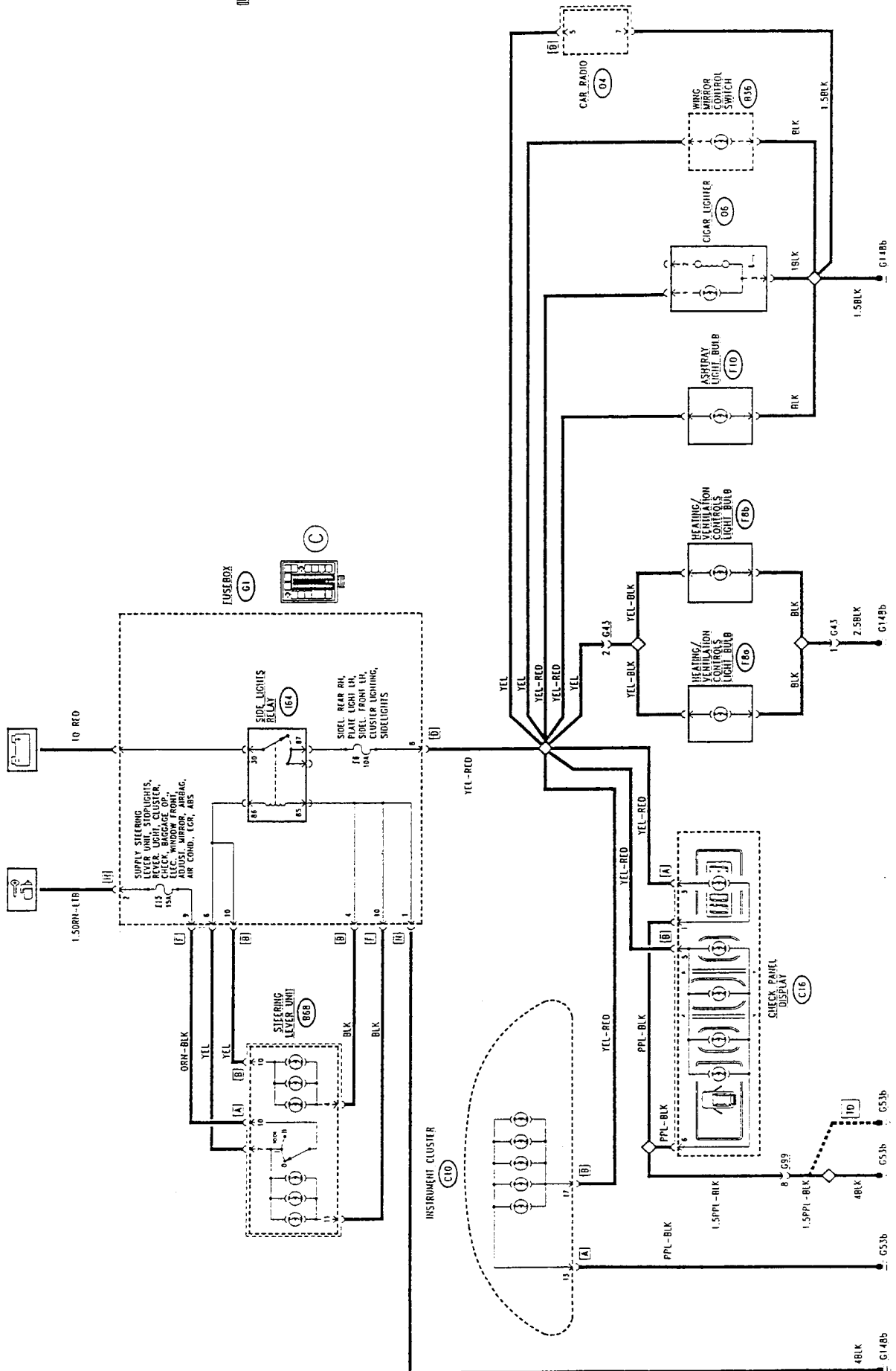
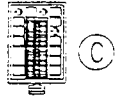


LIGHTING OF CONTROLS AND INDICATORS

INDEX

WIRING DIAGRAM	10-2
GENERAL DESCRIPTION	10-3
FUNCTIONAL DESCRIPTION	10-3
COMPONENTS AND CONNECTORS	10-4
LOCATION OF COMPONENTS	10-8/1
FAULTFINDING TABLE	10-9

WIRING DIAGRAM



GENERAL DESCRIPTION

The numerous light sources make it easy to locate the controls and switches under all conditions.

The wiring diagram shows the lights that illuminate the ideograms of the controls and switches when the side lights are switched on.

The following are illuminated when the side lights are turned on:

- the instrument cluster;
- lever unit ideograms (both levers);
- ideograms of the switches on the Check Panel;
- heating and ventilation control panel;
- light for cigar lighter/current socket and ashtray;
- wing mirror switches;
- radio (if fitted),

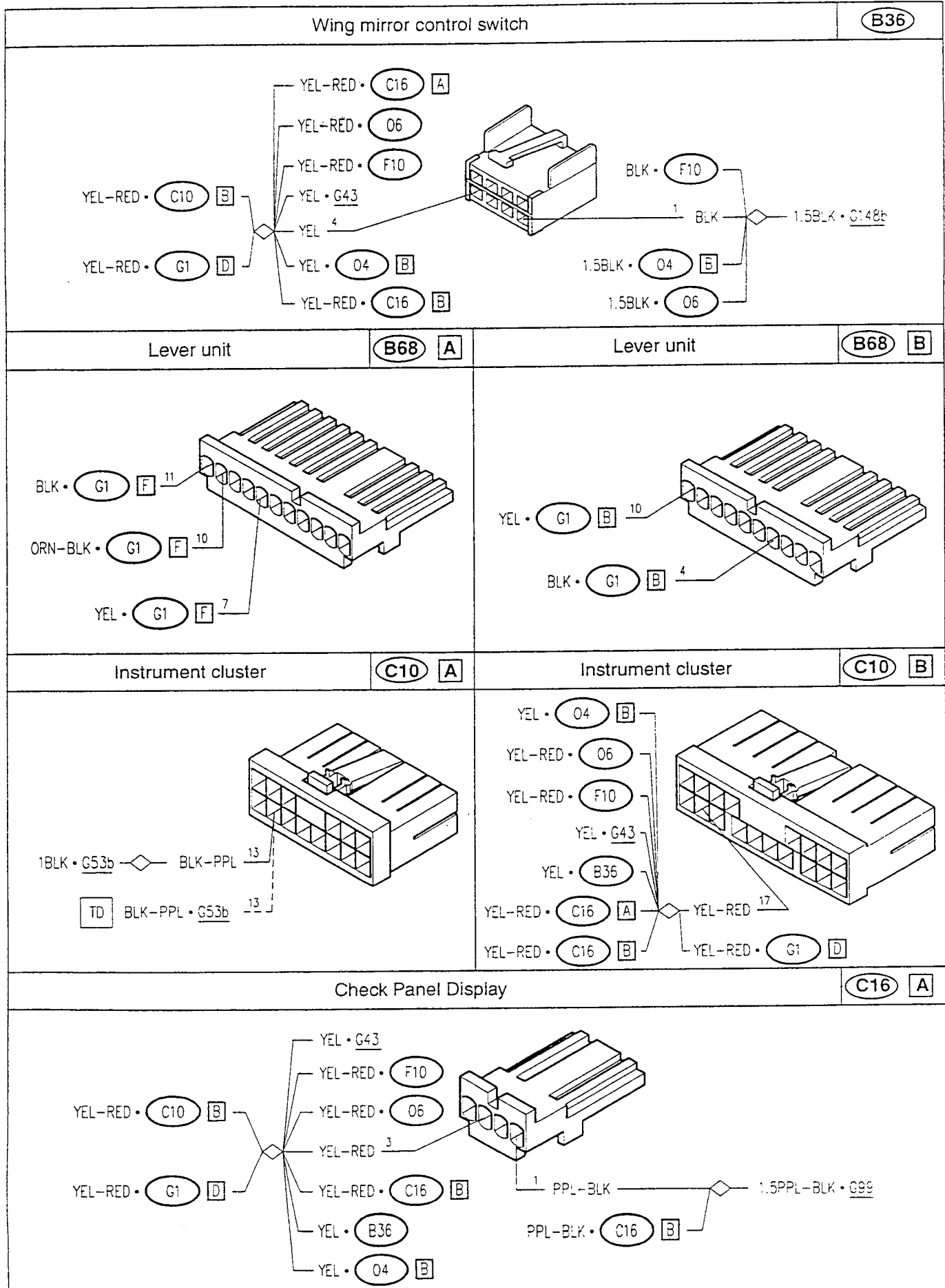
FUNCTIONAL DESCRIPTION

The pictograms of steering column lever unit **B68** are protected by fuse **F15** (for fusebox **G1** "C") they are turned on when the sidelights are turned on; the left ones directly by the light switch itself, the right ones through a supply that returns from the fusebox **G1**.

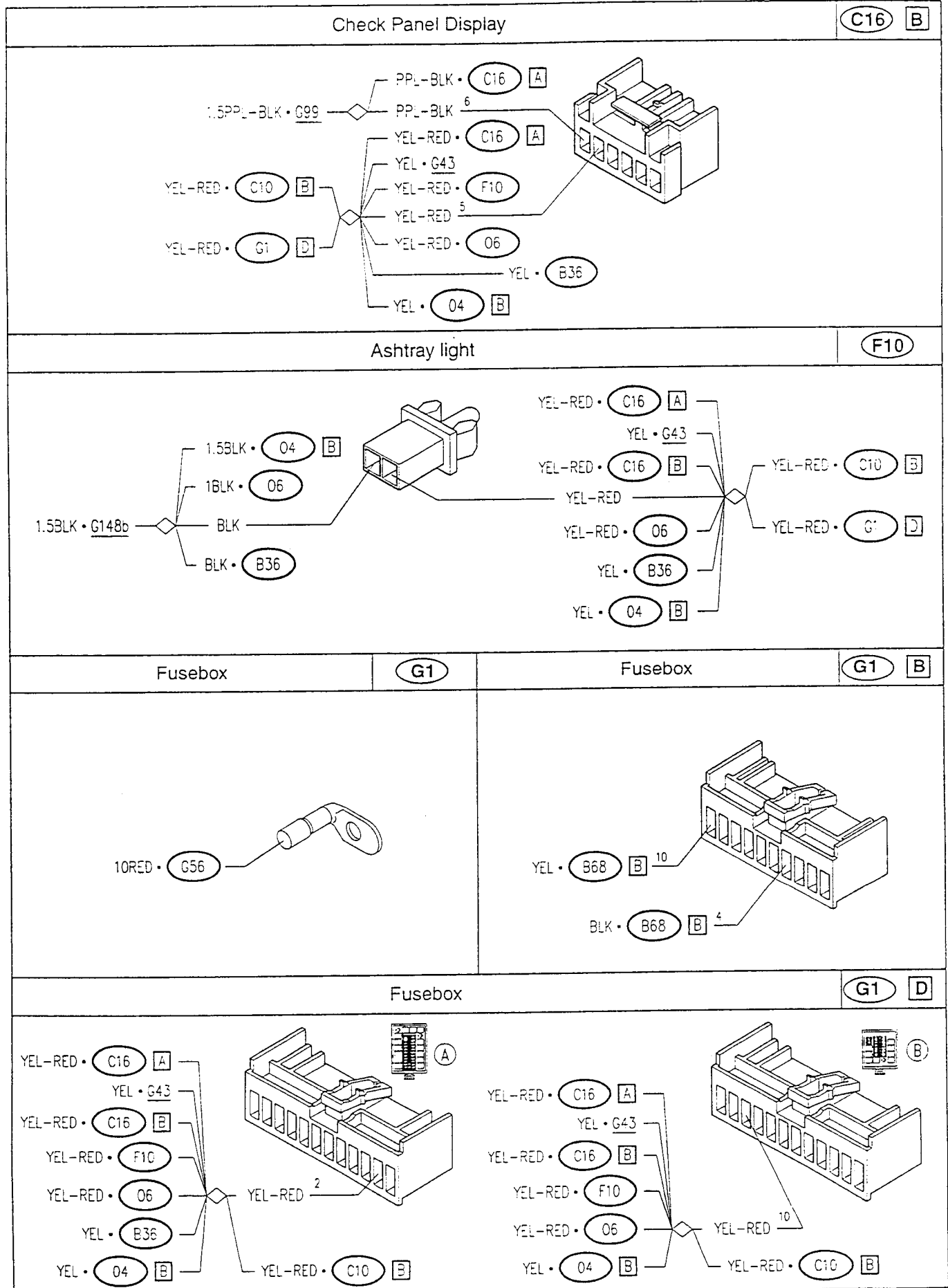
The heating and ventilation unit controls **F8a** and **F8b**, the light in the ashtray **F10** and the one for the cigar lighter **O6**, the wing mirror control switch **B36** and the radio **O4** are supplied through the side lights relay switch **I64** and fuse **F5** (**F6** for box "C") of **G1**.

The same supply also lights up numerous leds in the instrument cluster **C10** and on the Check Panel display **C16**.

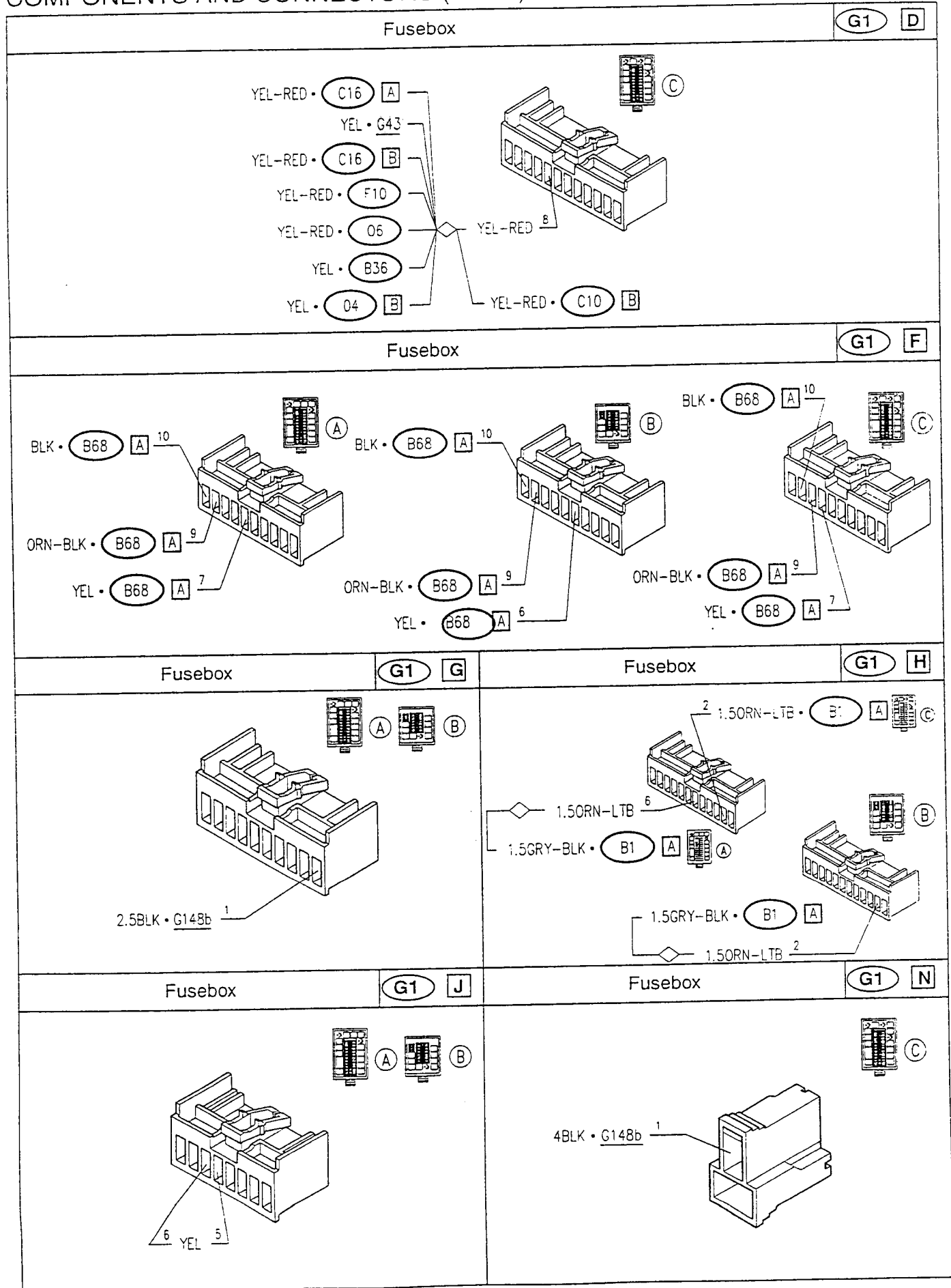
COMPONENTS AND CONNECTORS



COMPONENTS AND CONNECTORS (cont.d)



COMPONENTS AND CONNECTORS (cont.d)



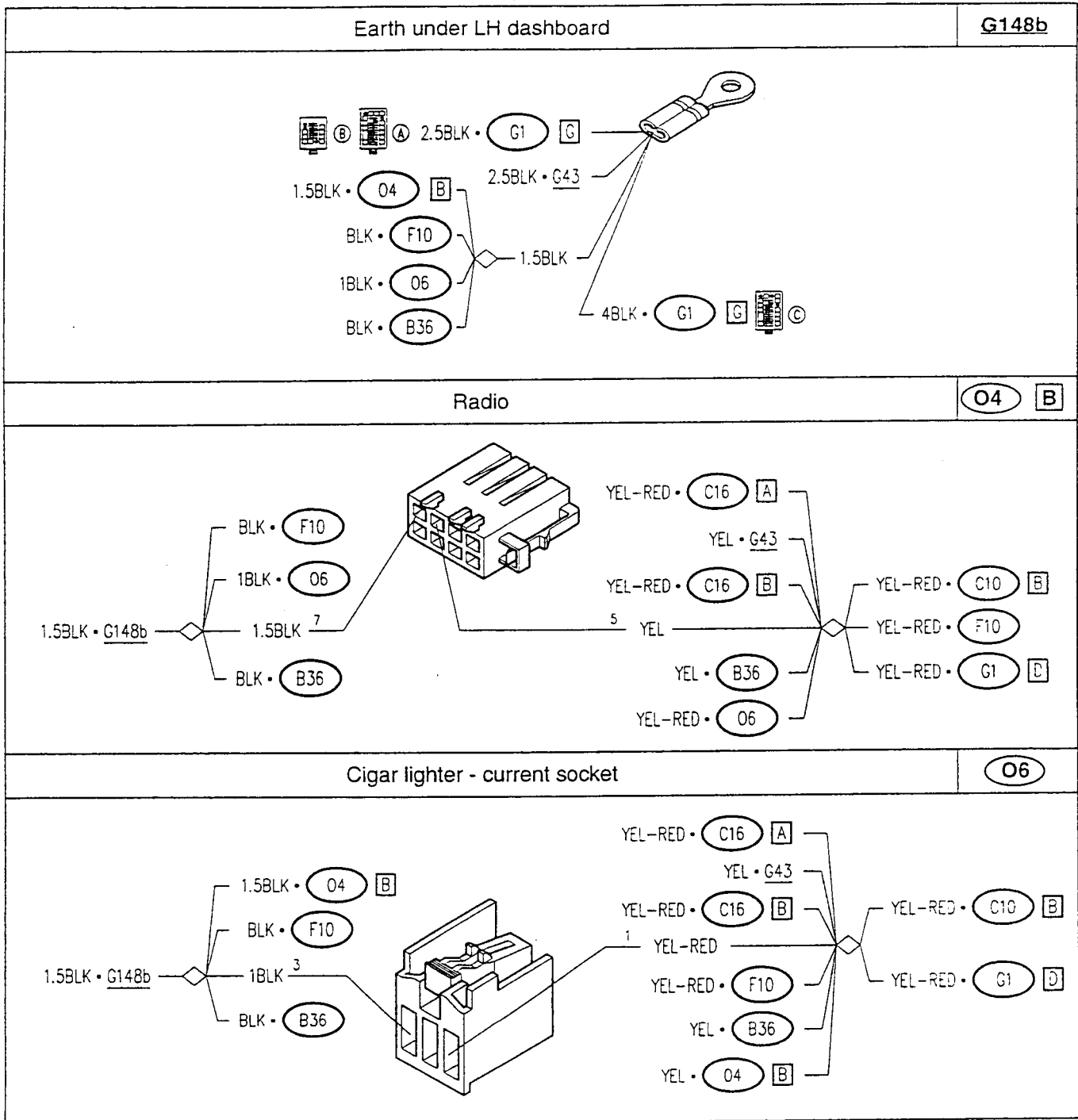
COMPONENTS AND CONNECTORS (cont.d)

<p>Heating & ventilation control wiring connector</p>	<p><u>G43</u></p>
<p>LH engine compt. earth</p>	<p><u>G53b</u></p>
<p>Dashboard/engine wiring connector (*)</p>	<p><u>G99</u></p>
<p>Dashboard/engine wiring connector (**)</p>	<p><u>G99</u></p>

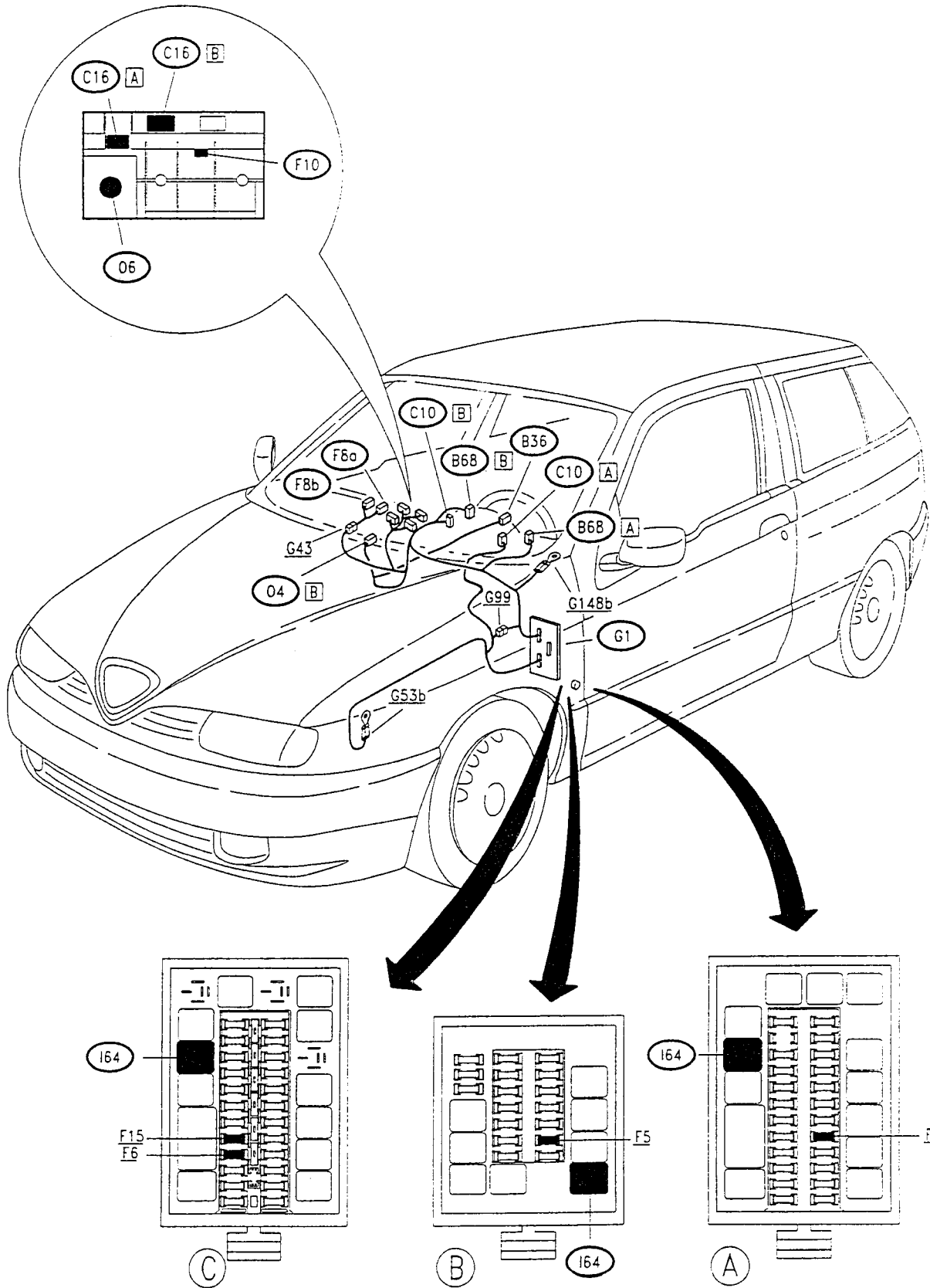
(*) up to chassis no. __
PA493000000008

(**) from chassis no. __

COMPONENTS AND CONNECTORS (cont.d)



LOCATION OF COMPONENTS



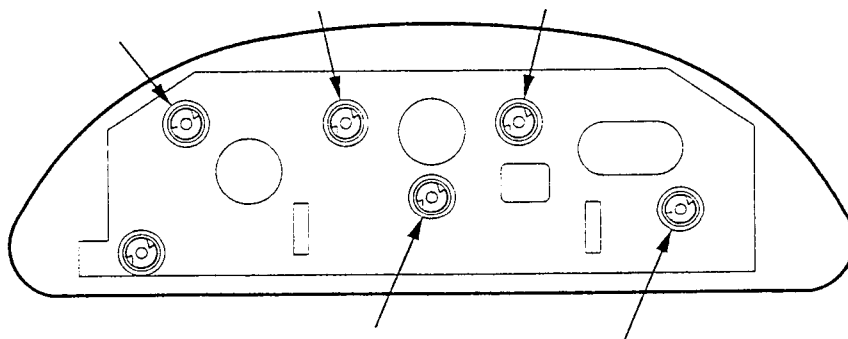
FAULTFINDING TABLE

NOTE: Firstly check that the side lights are working properly (see "Side Lights")

Failure	Component to be checked										
	F5	B68 (1)	F8a (2)	F8b (2)	O6 (2)	F10	B36 (1)	O4 (1)	I64	C10 (3)	C16 (1)
All the control lighting	•								•		
Lever unit lighting		•									
Instrument cluster lighting										•	
Check Panel lighting											•
Heating & ventilation panel lighting			•								
Ashtray / cigar lighter lighting					•						
Wing mirror control lighting							•				
Radio lighting								•			

- (1) In the event of a failure of the bulbs/leds **change the whole component**
- (2) **only change the bulbs** with bulb holder
- (3) it is possible to **change the five light bulbs** shown in the figure.

Up to M.Y. '98



From M.Y. '99

