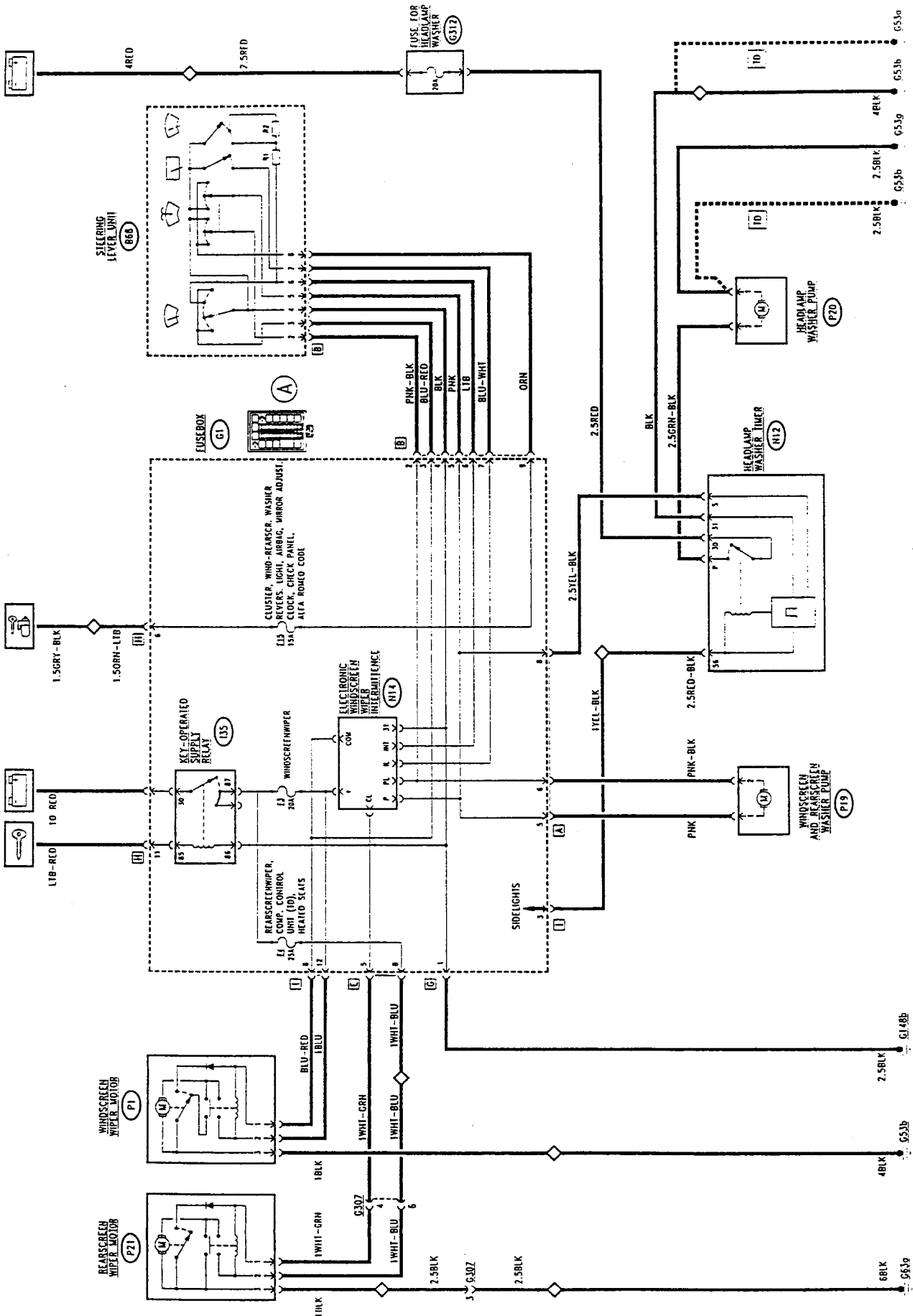


WINDSCREEN WIPER/WASHER - REARSCREEN WIPER/WASHER - HEADLAMP WASHER

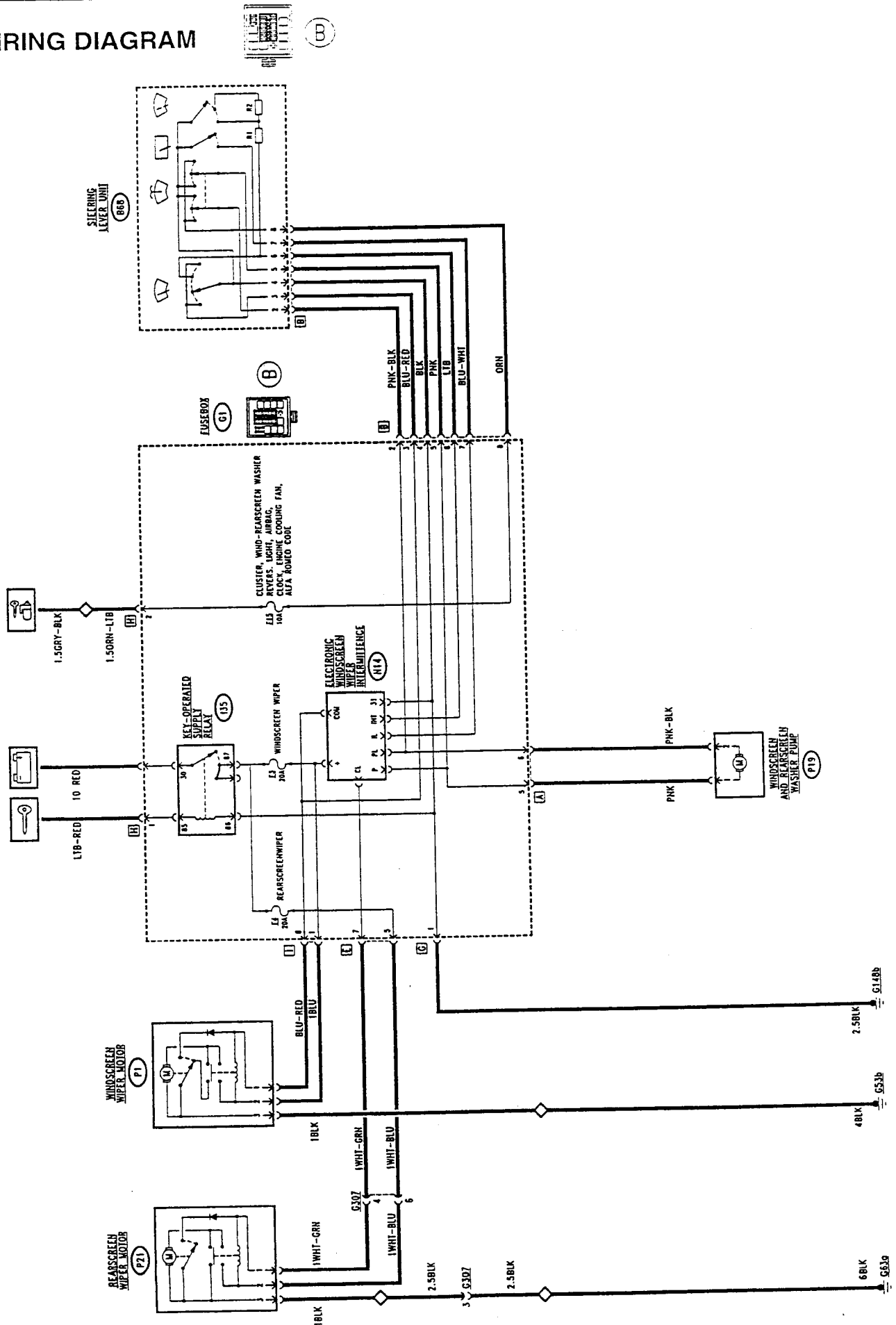
INDEX

WIRING DIAGRAM	16-2
WIRING DIAGRAM MODEL YEAR '97	16-4
GENERAL DESCRIPTION	16-4/2
FUNCTIONAL DESCRIPTION	16-4/2
COMPONENTS AND CONNECTORS	16-5
LOCATION OF COMPONENTS	16-9
FAULTFINDING TABLE	16-10
CHECKING COMPONENTS	16-10

WIRING DIAGRAM

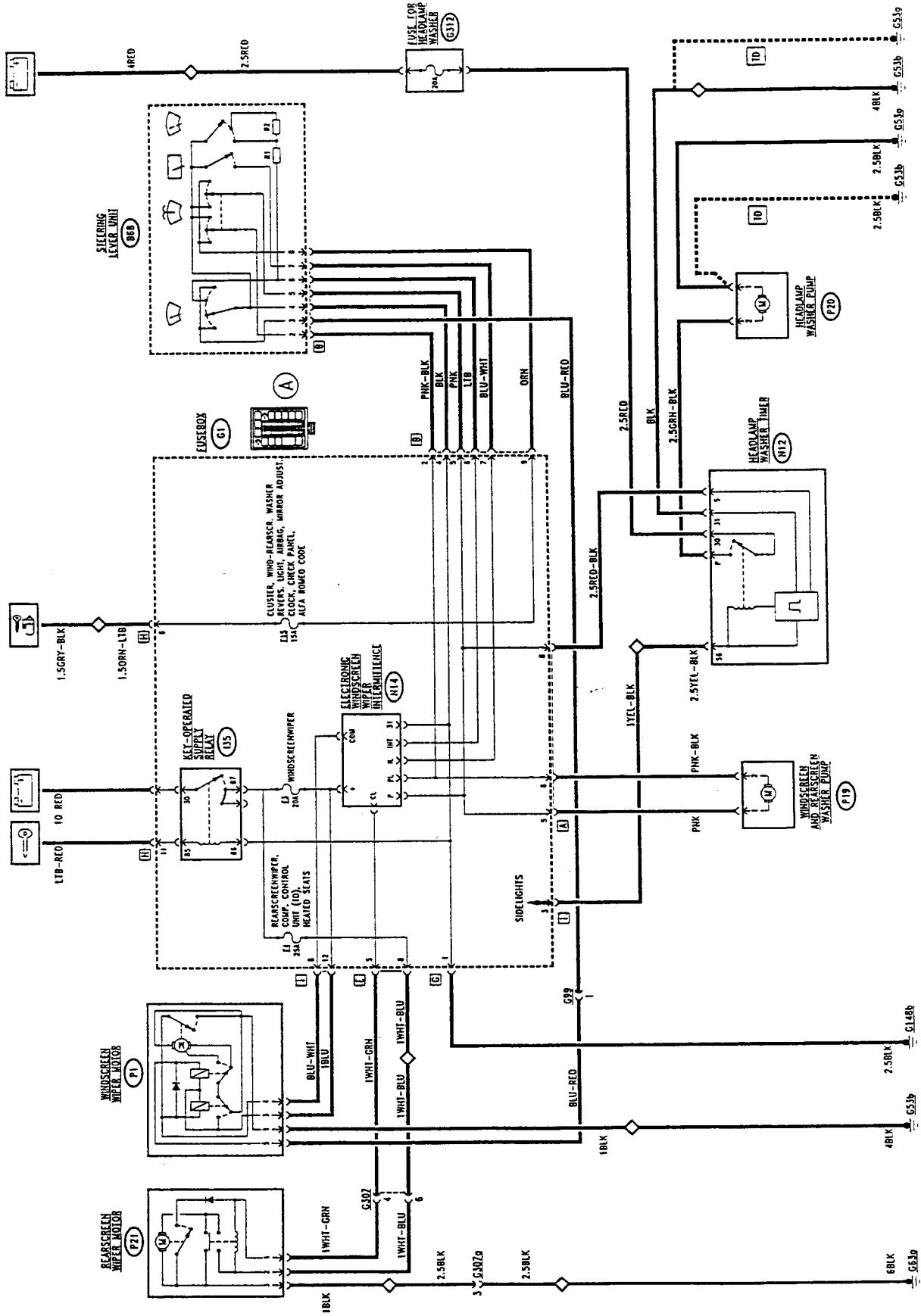


WIRING DIAGRAM

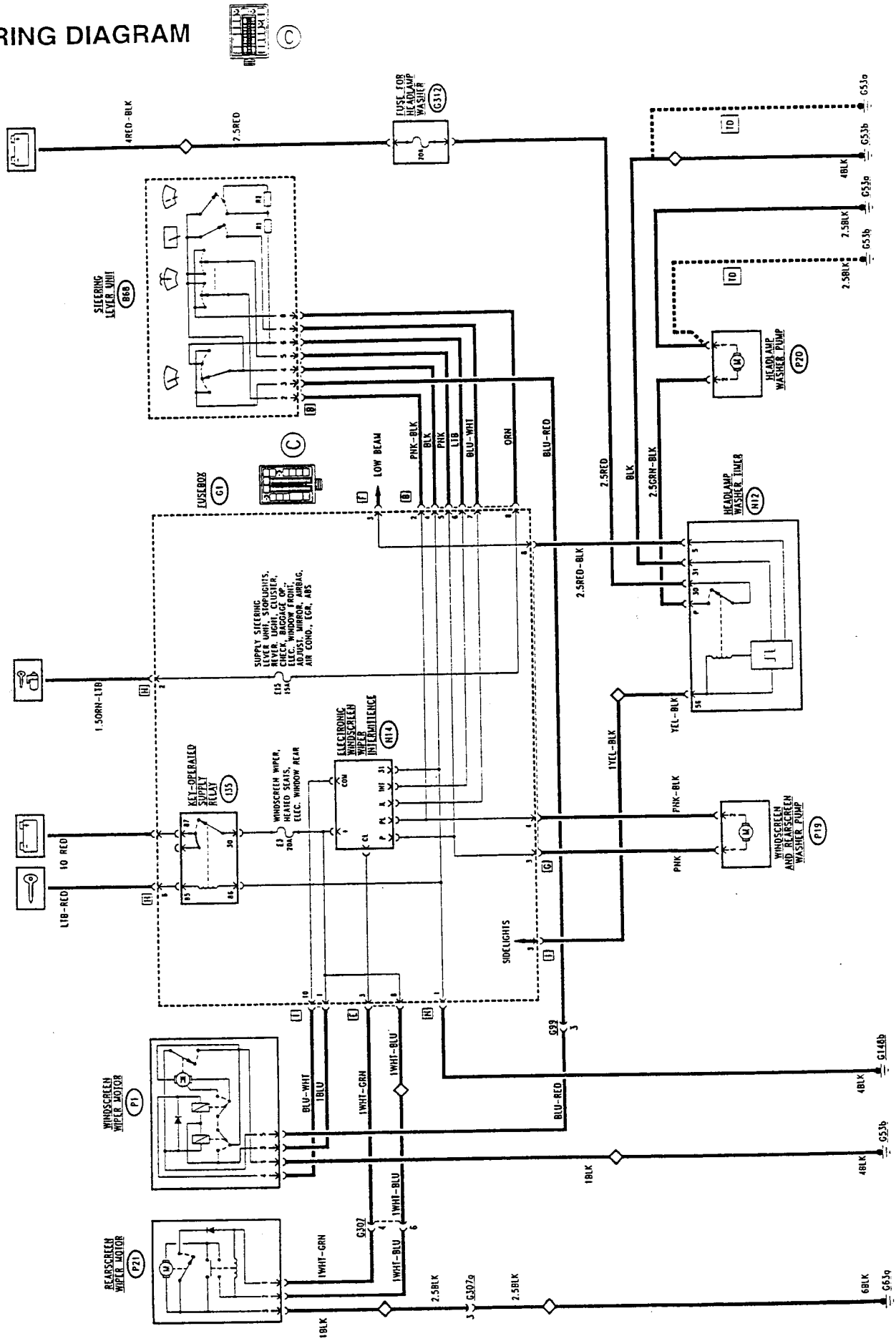


WIRING DIAGRAM

- Model Year '97



WIRING DIAGRAM



GENERAL DESCRIPTION

With the lever on the righthand side of the steering wheel it is possible to engage the different functions of the windscreen washer/wiper, rearscreen washer/wiper and headlamp washer system.

The windscreen wiper device can work continuously and intermittently at different speeds: moving the lever upwards and holding it in this position will select continuous operation (75 passes per min.) which is turned off when the lever is released; if the lever is pushed downwards firstly intermittent operation is engaged and then continuous operation: these functions stay on until the lever is moved upwards again. With the lever in the rest position, through the special ring switch it is possible to select the different lengths of the intermittent functions (appr. 45, 25 and 11 passes per min.).

From Model Year '97 the device is changed to obtain a second continuous speed of 61 strokes/min and two intermittent speeds (27 and 11 strokes/min). The rearscreen wiper function (intermittent at 15 strokes) is turned on turning the special ring.

The windscreen washer is engaged slightly pulling the lever towards the steering wheel; the rearscreen washer by pushing it towards the dashboard: this way the windscreen/rearscreen washer pump is operated for appr. 4 seconds or until the lever is released.

When the side lights are on, the same windscreen washer controls also operate the headlamp washer: this is an electropneumatic device in which a pump sends the detergent fluid to a double nozzle that sprays a powerful jet onto the headlamp.

A timer operates the headlamp washer pump with successive impulses which last for about half a second.

NOTE: Operating the windscreen/rearscreen washer (and headlamp washer) without detergent fluid in the reservoir can damage the pump.


The entire system is regulated by a windscreen wiper intermittency device located in the fusebox, which controls the windscreen and rearscreen wiper motors, the windscreen and rearscreen washer pump and the headlamp washer device (timer and pump).

The windscreen wiper and washer and rearscreen wiper/washer can be operated with the ignition key engaged and, as mentioned previously, the headlamp washer can only work with the side lights on (chassis no. ... the dipped beam lights).

FUNCTIONAL DESCRIPTION


Windscreen wiper

The windscreen wiper intermittence device **N14**, located in fusebox **G1**, is supplied via the key-operated relay **I35** (pin +) and fuse **F3** also in **G1**.

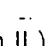
When the windscreen wiper switch  of the lever unit **B68** is operated, it sends two different signals depending on the function selected; from pin 3 for continuous speed and from pin 6 for intermittent operation.

The signal from pin 3 (continuous speed) passes directly to the wiper motor **P1** as a command signal; motor **P1** is connected to earth and supplied with the same line as the intermittent device **N14**. It comprises the the actual gear motor, stroke limit contacts (for automatic parking of the blades) and the supply relay switch.

The signal from pin 6 (intermittent speed) of **B68** reaches the intermittent device **N14** (pin INT) from where it is then sent to the motor **P1** (pin COM).

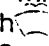
Turning the switch (ring)  of the lever unit **B68** either no, or one (R1), or two (R2) resistances are connected on the same line, thereby obtaining three intermittent speeds.

Rearscreen wiper

Operating the rearscreen wiper ring switch  the signal is sent from pin 7 of **B68** to **N14** (pin IL). The intermittent device sends a command (from pin CL to the rearscreen wiper motor **P21** which is supplied from the ignition switch via fuse **F4** of **G1** (box "A" or "B") and via fuse **F3** of **G1** (box "C").

This motor comprises the gear motor, stroke limit contacts and the supply relay switch.

Windscreen/rearscreen washer

When operated, the windscreen washer (and headlamp washer) switch  of the lever unit **B68** sends two signals from pin 2 and from pin 5 which reach the intermittent device **N14** (pin PL and P) for operating the windscreen washer for 4 sec., and they operate the windscreen washer pump **P19**; a command signal is also sent to the headlamp washer timer **N12**.

Pump **P19** is two-way: it sends water to the spray jets of the windscreen washer or rearscreen washer depending on the terminal supplied with 12V while the other is connected to earth.

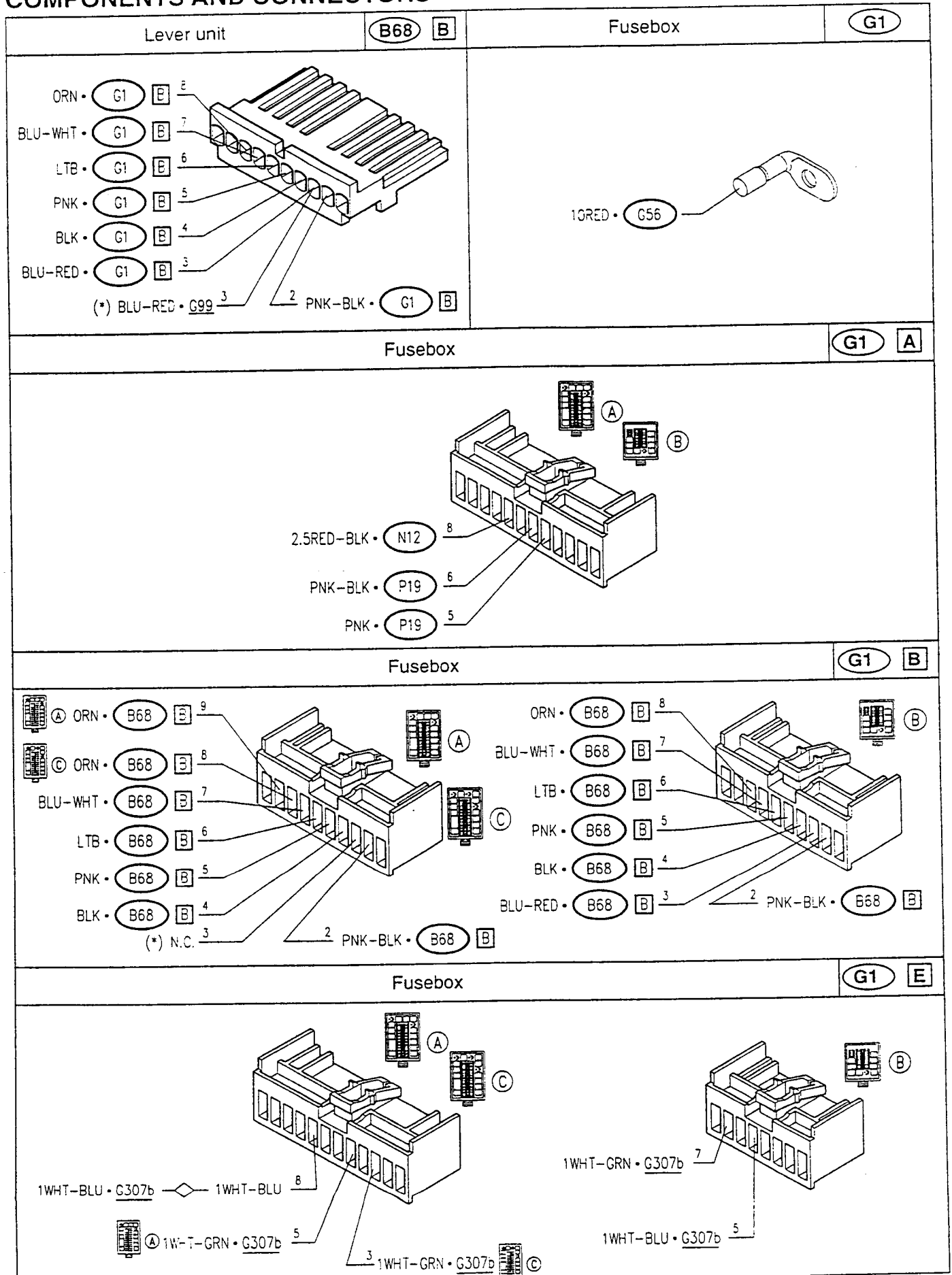
Headlight washer

The timer **N12**, located on the bracket outside the fusebox **G1**, is supplied directly by the battery through fuse **G312** (20A).

When the consensus signal resulting from the side lights being on reaches the relay in addition to the lever unit switch command, the relay switch inside **N12** is energized which supplies the headlamp washer pump **P20** for about half a second.

From chassis no. ___ the enable signal is received by the turning on of the dipped beams.

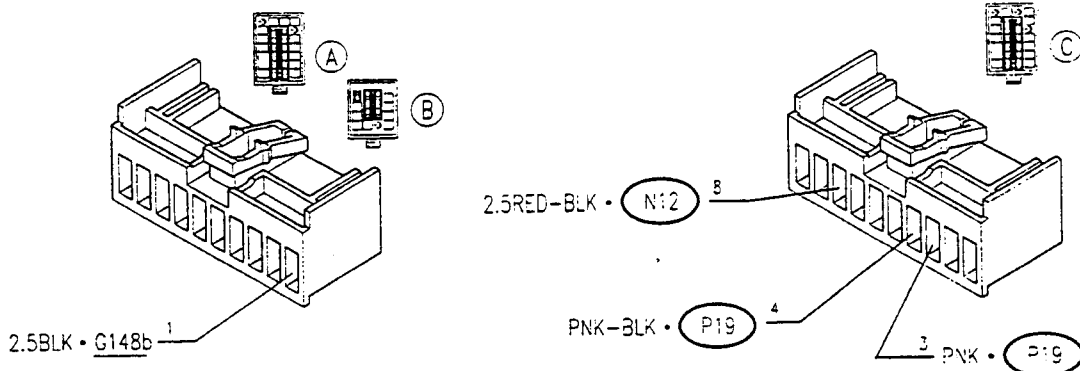
COMPONENTS AND CONNECTORS



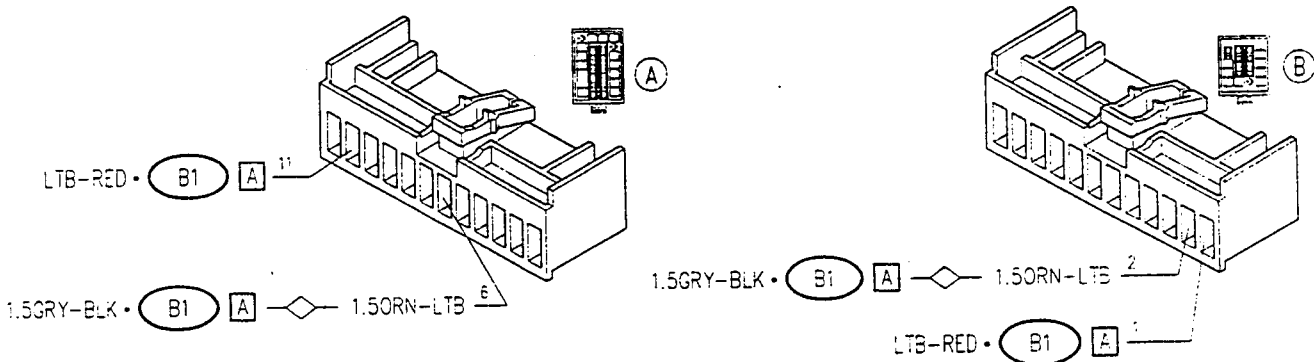
(*) from Model Year '97
PA49300000008

COMPONENTS AND CONNECTORS (cont.d)

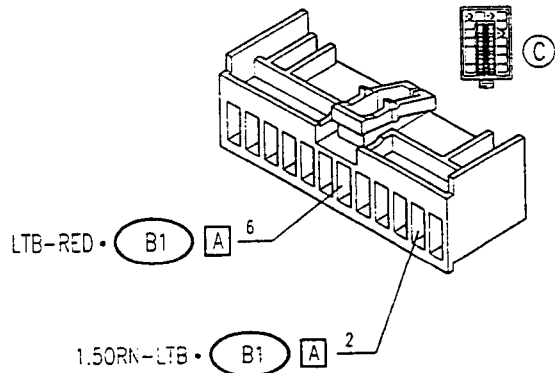
Fusebox G1 G



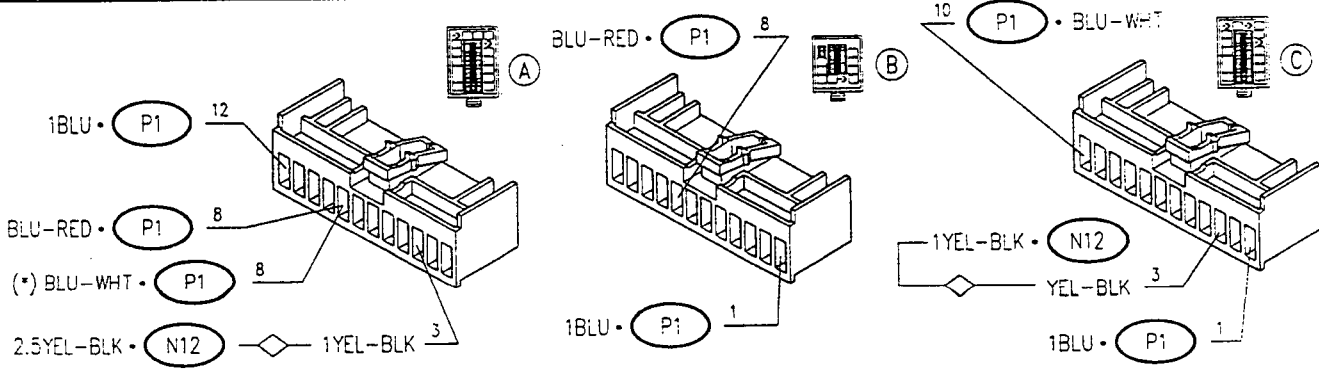
Fusebox G1 H



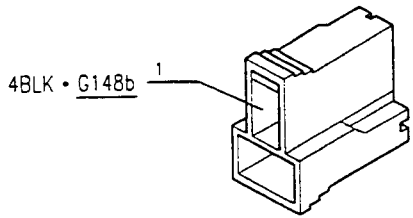
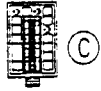
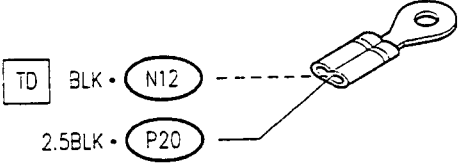
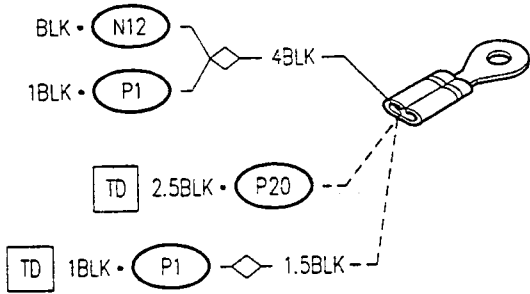
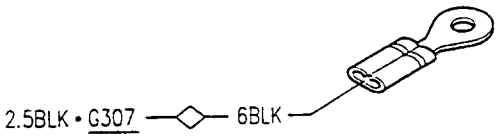
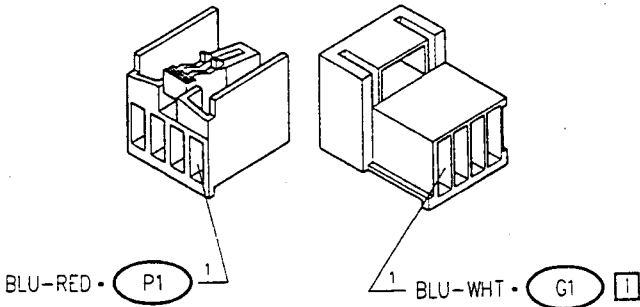
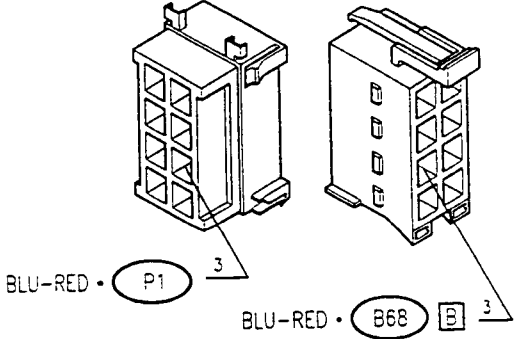

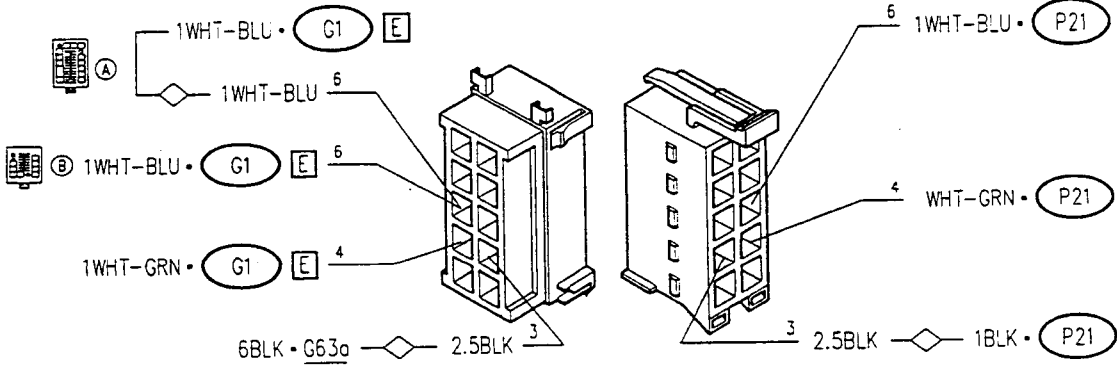
Fusebox G1 H



Fusebox G1 I



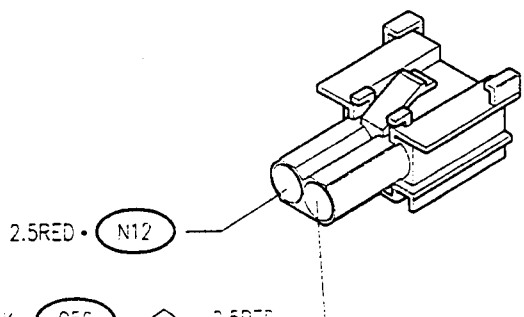
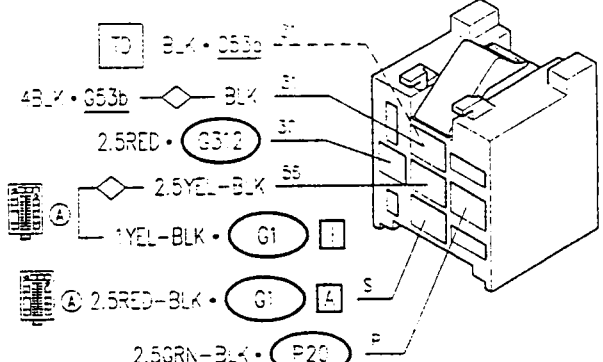
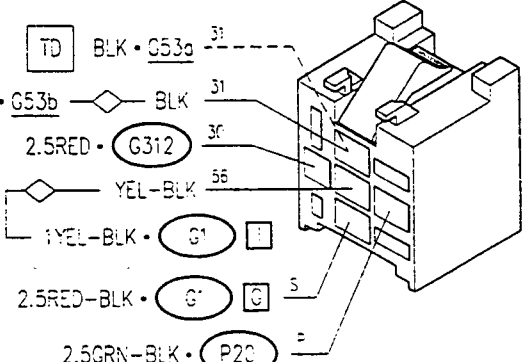
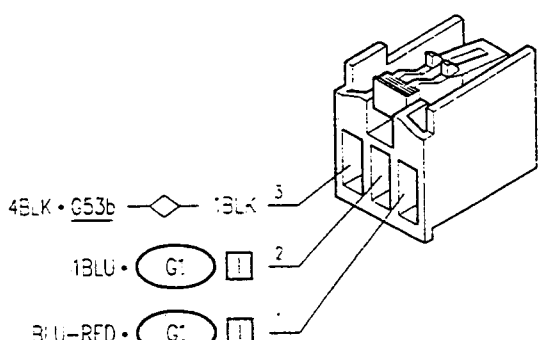
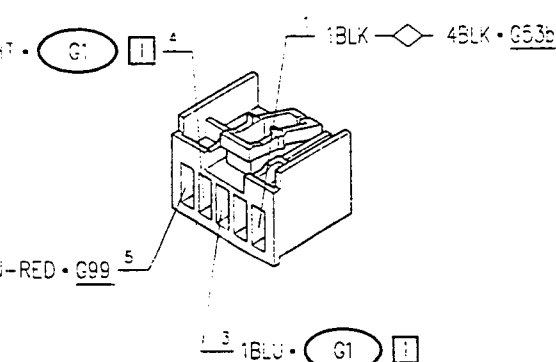
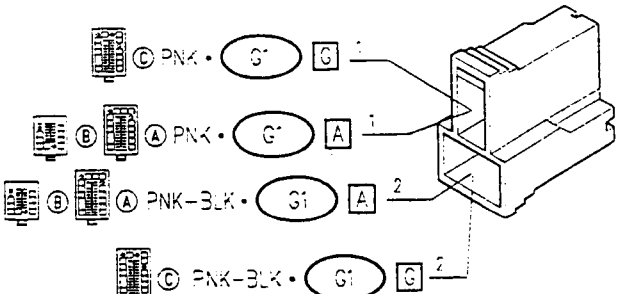
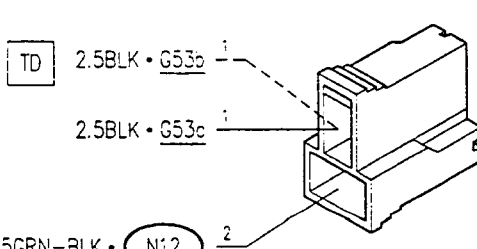
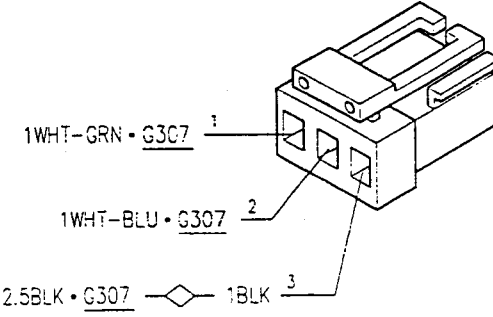
COMPONENTS AND CONNECTORS (cont.d)

Fusebox	G1 N	RH engine compartment earth	G53a
 <p>4BLK • G148b 1</p>	 <p>C</p>	 <p>TD BLK • N12 2.5BLK • P20</p>	
LH engine compartment earth	G53b	RH rear earth	G63a
 <p>BLK • N12 1BLK • P1 4BLK TD 2.5BLK • P20 TD 1BLK • P1 1.5BLK</p>		 <p>2.5BLK • G307 6BLK</p>	
Connector for dashboard wiring/engine wiring (*)	G99	Connector for dashboard wiring/engine wiring (**)	G99
 <p>BLU-RED • P1 1 1 BLU-WHT • G1 I</p>		 <p>BLU-RED • P1 3 BLU-RED • B68 B 3</p>	 <p>C</p>
Rear/luggage compartment wiring connector			G307
 <p>1WHT-BLU • G1 E 1WHT-BLU • G1 E 1WHT-BLU • G1 E 1WHT-GRN • G1 E 6BLK • G63a 2.5BLK 3 6 1WHT-BLU • P21 4 WHT-GRN • P21 3 2.5BLK 1BLK • P21</p>			

(*) from Model Year '97 - up to chassis no. ___
PA49300000008

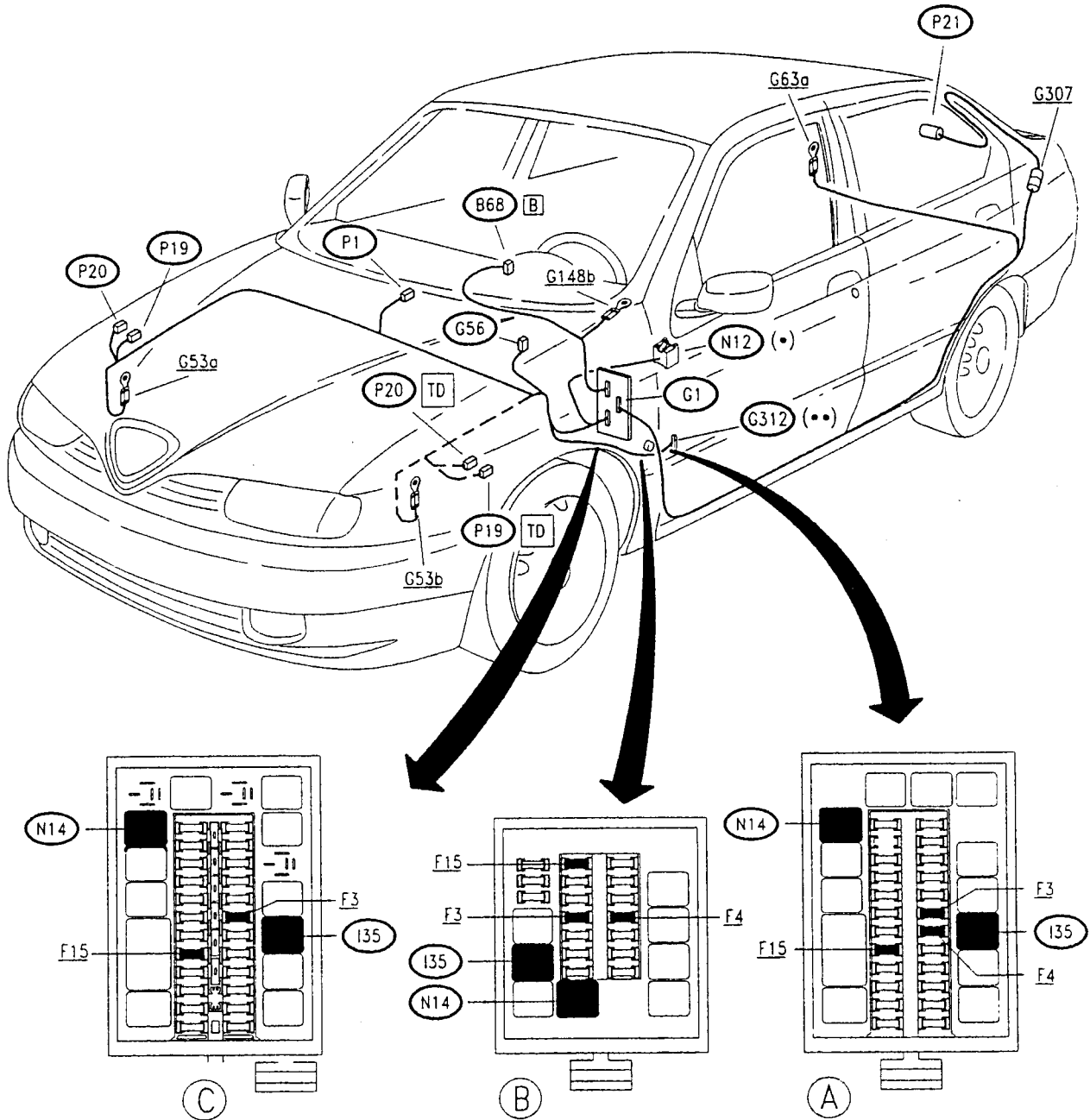
(**) from chassis no. ___

COMPONENTS AND CONNECTORS (cont.d)

Fuse for headlamp washer	G312	Timer for headlamp washer	N12
 <p>2.5RED • N12</p> <p>4RED-BLK • G56 — 2.5RED</p>		 <p>TD BLK • G53a</p> <p>4BLK • G53b — BLK</p> <p>2.5RED • G312</p> <p>YEL-BLK • G1</p> <p>2.5RED-BLK • G1</p> <p>2.5GRN-BLK • P20</p>	
<p>Timer for headlamp washer</p> <p>N12</p>  <p>TD BLK • G53a</p> <p>4BLK • G53b — BLK</p> <p>2.5RED • G312</p> <p>YEL-BLK • G1</p> <p>2.5RED-BLK • G1</p> <p>2.5GRN-BLK • P20</p>		<p>Windscreen wiper motor</p> <p>P1</p>  <p>4BLK • G53b — 1BLK</p> <p>1BLU • G1</p> <p>BLU-RED • G1</p>	
<p>Windscreen wiper motor (*)</p> <p>P1</p>  <p>BLU-WHT • G1</p> <p>1BLK — 4BLK • G53b</p> <p>BLU-RED • G99</p> <p>1BLU • G1</p>		<p>Windscreen/rearscreen washer pump</p> <p>P19</p>  <p>PNK • G1</p> <p>PNK • G1</p> <p>PNK-BLK • G1</p> <p>PNK-BLK • G1</p>	
<p>Headlight washer pump</p> <p>P20</p>  <p>TD 2.5BLK • G53b</p> <p>2.5BLK • G53c</p> <p>2.5GRN-BLK • N12</p>		<p>Rearscreen wiper motor</p> <p>P21</p>  <p>1WHT-GRN • G307</p> <p>1WHT-BLU • G307</p> <p>2.5BLK • G307 — 1BLK</p>	

(*) from Model Year '97
PA493000000008

LOCATION OF COMPONENTS



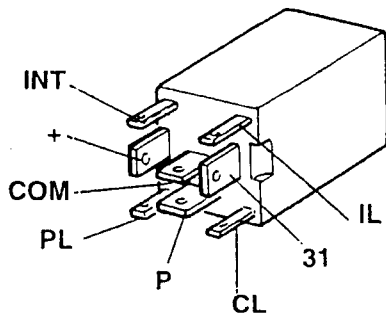
(•) black base
 (••) yellow fuseholder

FAULTFINDING TABLE

Failure	Component to be checked										
	F3	F4	F15	G312	P1	P21	P20	P19	N14	N12	B68
Windscreen wiper (cont. speed)	•				•						•
Windscreen wiper (intermitt. speed)									•		•
Rearscreen wiper		•				•			•		
Windscreen/rearscreen washer			•					•			•
Headlight washer			•	•			•			•	

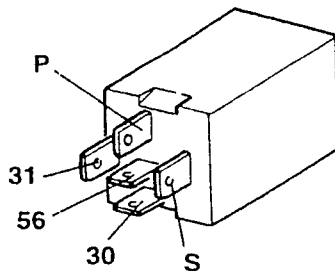
CHECKING COMPONENTS

Windscreen wiper electronic intermittent device (N14)



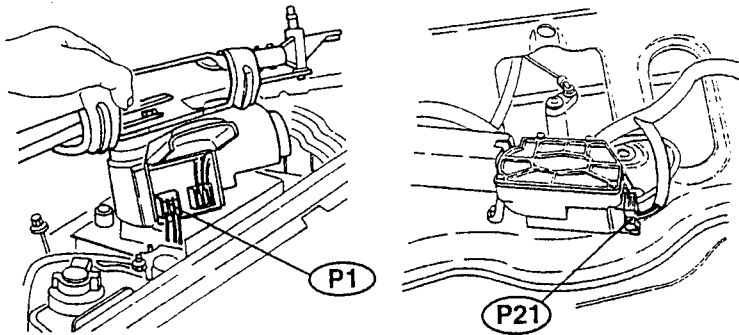
Checking the device: see TEST A

Headlamp washer timer (N12)



Checking the device: see TEST B

Windscreen wiper motor (P1) - rearscreen wiper motor (P21)



P1 up to Model Year '96, P21

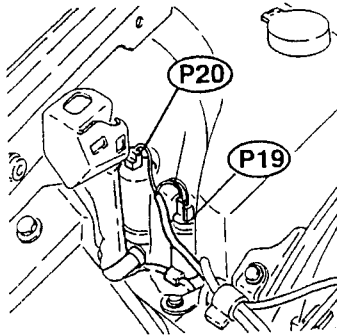
SPECIFICATIONS	
with 12V at pin 3 and earth at pin 2: applying an earth at pin 1 the motor operates continuously	

P1 from Model Year '97

SPECIFICATIONS	
with 12V at pin 3 and earth at pin 1; applying an earth at pin 5 continuous motor operation is obtained at 1st speed; at pin 4 there is the 2nd speed. pag. 3	

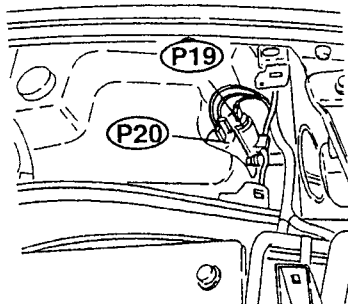
Windscreen/rearscreen washer pump(two-way) (P19)

Boxer



SPECIFICATIONS	
12V at pin 1 and 0V at pin 2	operation of windscreen washer
12V at pin 2 and 0V at pin 1	operation of rearscreen washer

TD

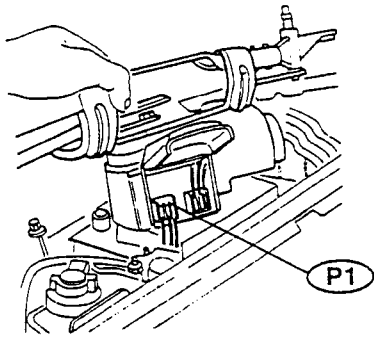


CHECKING WIPER ELECTRONIC INTERMITTENT DEVICE (N14)	TEST A
--	---------------

	TEST PROCEDURE	RESULT	CORRECTIVE ACTION
A1	CHECK VOLTAGE	OK →	Carry out step A2
	– Disconnect device N14 and on the corresponding base of the fusebox G1 : with the key at MARCIA , check for 12V at pin + of N14	OK →	Check fuse F3 and relay switch I35 of fusebox G1
A2	CHECK EARTH	OK →	Carry out step A3
	– Check for 0V at pin 31 of N14	OK →	Check that fusebox G1 is connected to earth: from pin 1 of connector G towards earth G148b
A3	CHECK WINDSCREEN WIPER INTERMITTENCE SIGNAL	OK →	Carry out step A4
	– Operate the different intermittent speeds of the windscreen wiper through the ring switch on the lever unit B68 and check: - 0 Ω between pin INT and pin 31 at N14 for max. speed - 1.3 kΩ between pin INT and pin 31 at N14 for intermediate speed - 6 kΩ between pin INT and pin 31 at N14 for min. speed	OK →	Check the wiring between N14 (G1) and the lever unit B68 , or change the latter
A4	CHECK WINDSCREEN WASHER SIGNAL	OK →	Carry out step A5
	– Operate the windscreen washer and check for 12V at pin P of N14	OK →	Check fuse F15 of G1 or the wiring between N14 (G1) and the lever unit B68 , or change the latter
A5	CHECK REARSCREEN WASHER SIGNAL	OK →	Carry out step A6
	– Operate the rearscreen washer and check for 0V at pin PL of N14	OK →	Check the wiring between N14 (G1) and the lever unit B68 , or change the latter
A6	CHECK REARSCREEN WIPER SIGNAL	OK →	Insert device N14 on the corresponding base of fusebox G1 and continue with step A7
	– Operate the rearscreen and check for 0V at pin IL of N14	OK →	Check the wiring between N14 (G1) and the lever unit B68 , or change the latter

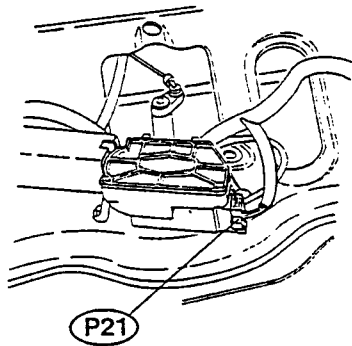
(cont.d)

Windscreen wiper motor (P1) - rearscreen wiper motor (P21)



P1 up to Model Year '96

SPECIFICATIONS	
with 12V at pin 3 and earth at pin 2: applying an earth at pin 1 the motor operates continuously	

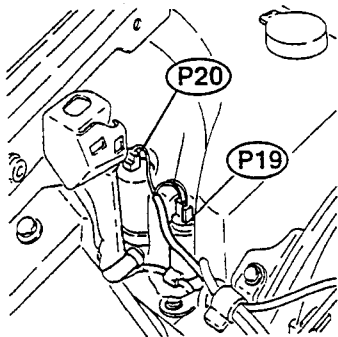


P1 from Model Year '97

SPECIFICATIONS	
with 12V at pin 3 and earth at pin 1; applying an earth at pin 5 continuous motor operation is obtained at 1st speed; at pin 4 there is the 2nd speed. pag. 3	

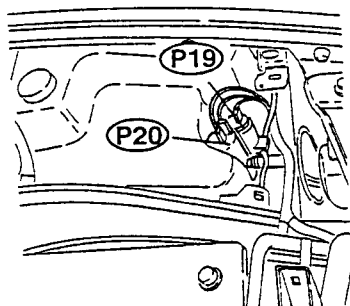
Windscreen/rearscreen washer pump(two-way) (P19)

Boxer



SPECIFICATIONS	
12V at pin 1 and 0V at pin 2	operation of windscreen washer
12V at pin 2 and 0V at pin 1	operation of rearscreen washer

TD



CHECKING WIPER ELECTRONIC INTERMITTENT DEVICE (N14) TEST A

TEST PROCEDURE		RESULT	CORRECTIVE ACTION
A1	CHECK VOLTAGE	OK →	Carry out step A2
	- Disconnect device N14 and on the corresponding base of the fusebox G1: with the key at MARCIA, check for 12V at pin + of N14	OK →	Check fuse F3 and relay switch I35 of fusebox G1
A2	CHECK EARTH	OK →	Carry out step A3
	- Check for 0V at pin 31 of N14	OK →	Check that fusebox G1 is connected to earth: from pin 1 of connector G towards earth G148b
A3	CHECK WINDSCREEN WIPER INTERMITTENCE SIGNAL	OK →	Carry out step A4
	- Operate the different intermittent speeds of the windscreen wiper through the ring switch on the lever unit B68 and check: - 0 Ω between pin INT and pin 31 at N14 for max. speed - 1.3 kΩ between pin INT and pin 31 at N14 for intermediate speed - 6 kΩ between pin INT and pin 31 at N14 for min. speed	OK →	Check the wiring between N14 (G1) and the lever unit B68, or change the latter
A4	CHECK WINDSCREEN WASHER SIGNAL	OK →	Carry out step A5
	- Operate the windscreen washer and check for 12V at pin P of N14	OK →	Check fuse F15 of G1 or the wiring between N14 (G1) and the lever unit B68, or change the latter
A5	CHECK REARSCREEN WASHER SIGNAL	OK →	Carry out step A6
	- Operate the rearscreen washer and check for 0V at pin PL of N14	OK →	Check the wiring between N14 (G1) and the lever unit B68, or change the latter
A6	CHECK REARSCREEN WIPER SIGNAL	OK →	Insert device N14 on the corresponding base of fusebox G1 and continue with step A7
	- Operate the rearscreen and check for 0V at pin IL of N14	OK →	Check the wiring between N14 (G1) and the lever unit B68, or change the latter

(cont.d)

CHECKING WIPER ELECTRONIC INTERMITTENT DEVICE (N14) TEST A

TEST PROCEDURE		RESULT	CORRECTIVE ACTION
A7	CHECK WINDSCREEN WIPER INTERMITTENT OPERATION	<input checked="" type="radio"/> OK ▶	Carry out step A8
	- Operate the different intermittent speeds of the windscreen wiper through the ring switch on the lever unit B68 and check for a cyclic signal at pin 8 of connector I of fusebox G1: - 45 cycles per minute for max. speed - 25 cycles per minute for intermediate speed - 15 cycles per minute for min. speed	<input checked="" type="radio"/> OK ▶	Change device N14
A8	CHECK WINDSCREEN WIPER ACTUATION FOR WINDSCREEN WASHER	<input checked="" type="radio"/> OK ▶	Carry out step A9
	- Operating the windscreen washer, check for a continuous signal at pin 8 of connector I of G1 for about 4 seconds	<input checked="" type="radio"/> OK ▶	Change device N14
A9	CHECK ACTUATION OF REARSCREEN WIPER FOR REARSCREEN WASHER	<input checked="" type="radio"/> OK ▶	Carry out step A10
	- Operating the rearscreen washer, check for a cyclic signal (15 cycles per minute) at pin 8 of connector E at G1; this signal remains for about 4 seconds	<input checked="" type="radio"/> OK ▶	Change device N14
A10	CHECK ACTUATION OF REARSCREEN WIPER	<input checked="" type="radio"/> OK ▶	DEVICE N14 IS WORKING PROPERLY. Check the connections with the other components
	- Operating the rearscreen wiper, check for a cyclic signal (15 cycles per minute) at pin 8 of connector E of G1	<input checked="" type="radio"/> OK ▶	Change device N14

CHECKING THE HEADLAMP WASHER TIMER (N12)

TEST B

Work with the component fitted on its connector acting from the cable inlet side

TEST PROCEDURE		RESULT	CORRECTIVE ACTION
B1	CHECK VOLTAGE	OK ►	Carry out step B2
	– Check for 12V between pins 30 and 31 of N12	OK ►	Check fuse G312 (20A). Restore the wiring between N12 and G312, and between N12 and earth G53b
B2	CHECK VOLTAGE	OK ►	Carry out step B3
	– With the side lights on, check for 12V at pin 56 of N12	OK ►	Check that the side lights are working properly; also check the wiring between N12 and G1
B3	CHECK VOLTAGE	OK ►	Carry out step B4
	– Operating the windscreen washer with the side lights on, check for 12V at pin S of N12	OK ►	Restore the wiring between N12 and G1 or check that the windscreen washer is working properly
B4	CHECK HEADLAMP WASHER CONTROL	OK ►	DEVICE N12 IS WORKING PROPERLY. Check the connections with the other components
	– Operating the windscreen washer with the side lights on, check for 12V at pin P di N12 for about 0.5 seconds 0,5	OK ►	Change device N12