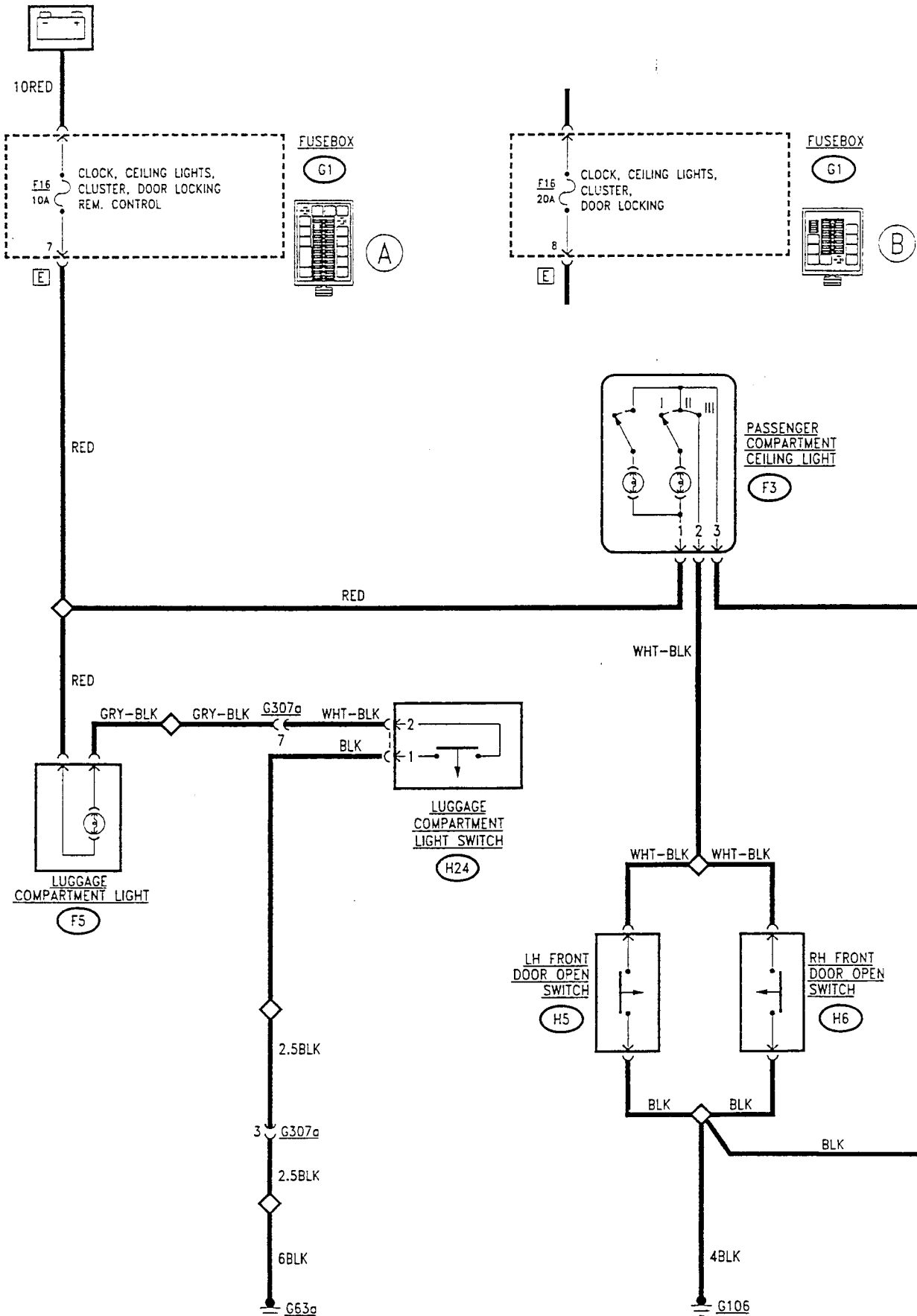


INTERIOR LIGHTING

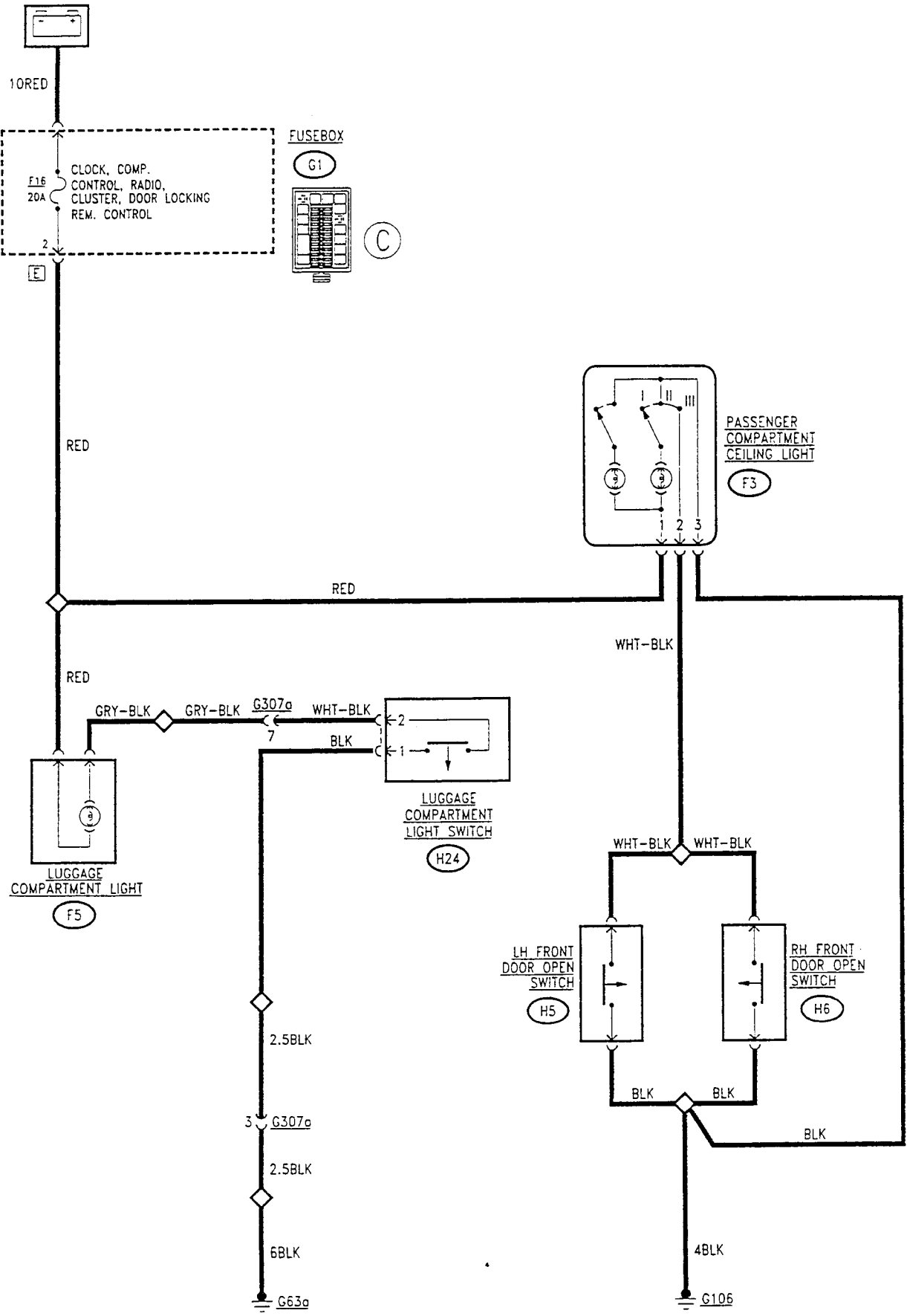
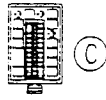
INDEX

WIRING DIAGRAM	11-2
GENERAL DESCRIPTION	11-3
FUNCTIONAL DESCRIPTION	11-3
COMPONENTS AND CONNECTORS	11-4
LOCATION OF COMPONENTS	11-6
FAULTFINDING TABLE	11-7

WIRING DIAGRAM



WIRING DIAGRAM



GENERAL DESCRIPTION

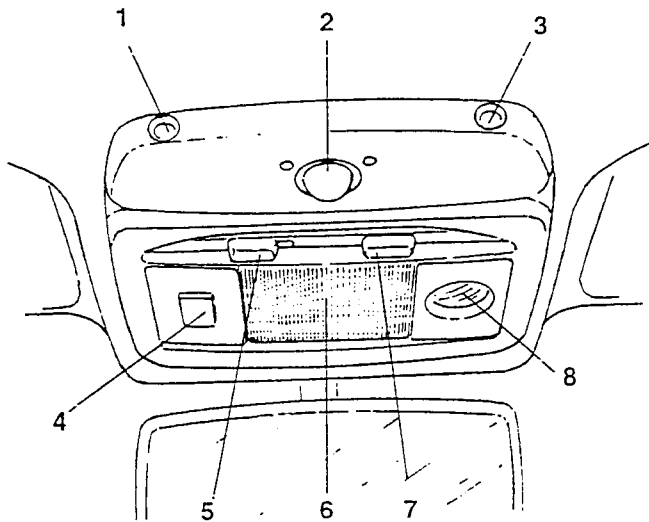
The numerous light sources provided ensure good lighting inside the passenger compartment and/or of some specific points under all conditions.

The front courtesy light F3 is turned on automatically when one of the two doors is opened, and it is turned off when they are closed.

Of course, the same light may be turned on manually with its switch.

On the courtesy light there is also a reading lamp which makes for instance reading possible without disturbing the driver.

NOTE: The courtesy light is different for the versions with sunroof and car alarm. However operation remains unchanged as described below.



- 1 - antitheft volumetric sensor (See "Antitheft")
- 2 - antitheft I.R. receiver (See "Antitheft")
- 3 - antitheft volumetric sensor (See "Antitheft")
- 4 - sunroof control switch
(See "Sunroof")
- 5 - courtesy light switch
- 6 - courtesy light
- 7 - spot light switch
- 8 - spot light

Lastly a special light F5 illuminates the luggage compartment which is turned on when the tailgate is opened.

FUNCTIONAL DESCRIPTION

The courtesy light with passenger compartment lighting controls plus reading light F3 is supplied directly by the battery through fuse F16 (10A) of fusebox G1: this makes it possible to operate the courtesy light or reading light from the corresponding switch.

The switch has three positions:

I - courtesy light always off

II - courtesy light on

III - courtesy light turns on when one of the doors is opened

In fact, the courtesy light turns on automatically when the doors are opened, as a switch (H6 for the RH door and H5 for the LH door) sends an earth signal to the courtesy light F3.

Also the luggage compartment light F5 is supplied with battery voltage via the line protected by fuse F16; it is turned on when the tailgate is opened and switch H24 sends an earth signal.

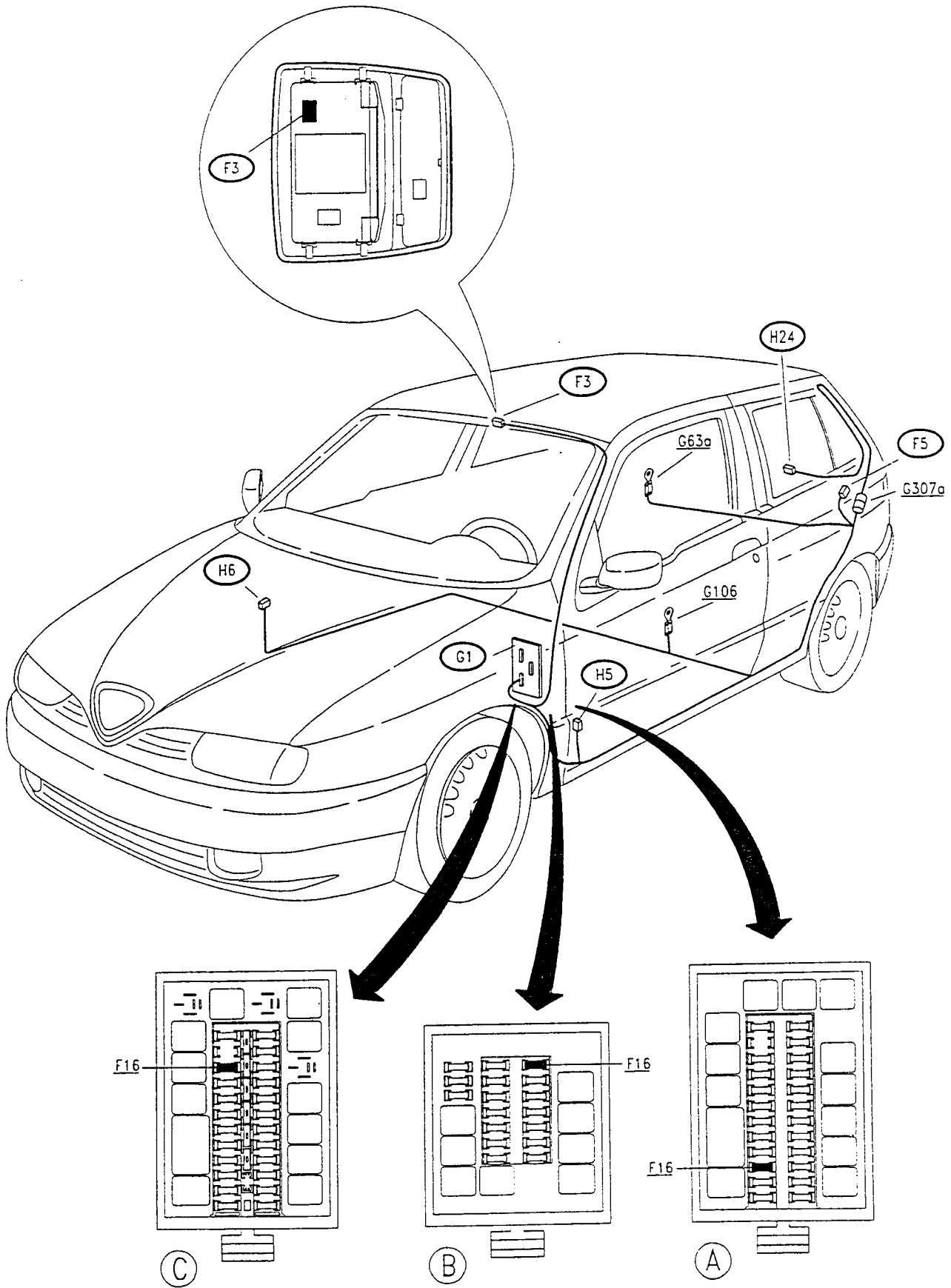
COMPONENTS AND CONNECTORS

<p>Passenger compt. ceiling light</p>	<p>F3</p>	<p>Luggage compt. light</p>	<p>F5</p>
<p>Fusebox</p>			<p>G1</p>
<p>Fusebox</p>			<p>G1 E</p>
<p>RH rear earth</p>	<p>G63a</p>	<p>Seat crossmember earth</p>	<p>G106</p>

COMPONENTS AND CONNECTORS (cont.d)

Rear/luggage compt. wiring connector A		G307a
LH front door open switch	H5	RH front door open switch
Luggage compartment light switch		H24

LOCATION OF COMPONENTS



FAULTFINDING TABLE

Failure	Component to be checked					
	E16	F3	F5	H5	H6	H24
All the interior lights	•					
Courtesy light under all circumstances		•				
Courtesy light: fails to turn on opening the RH door					•	
Courtesy light: fails to turn on opening the RH door				•		
Reading light in courtesy light		•				
Luggage compartment light			•			•

