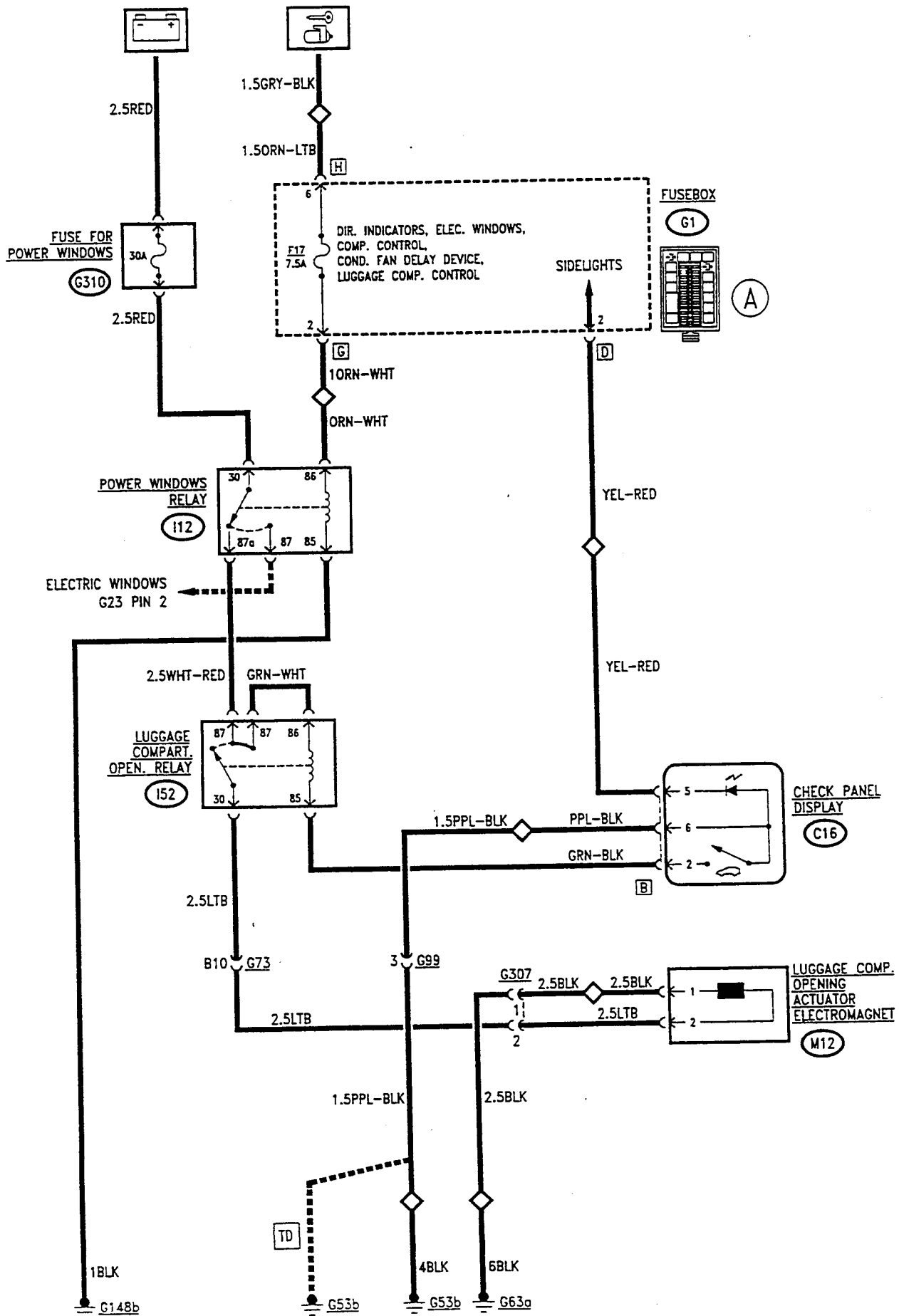


# LUGGAGE COMPARTMENT OPENING CONTROL

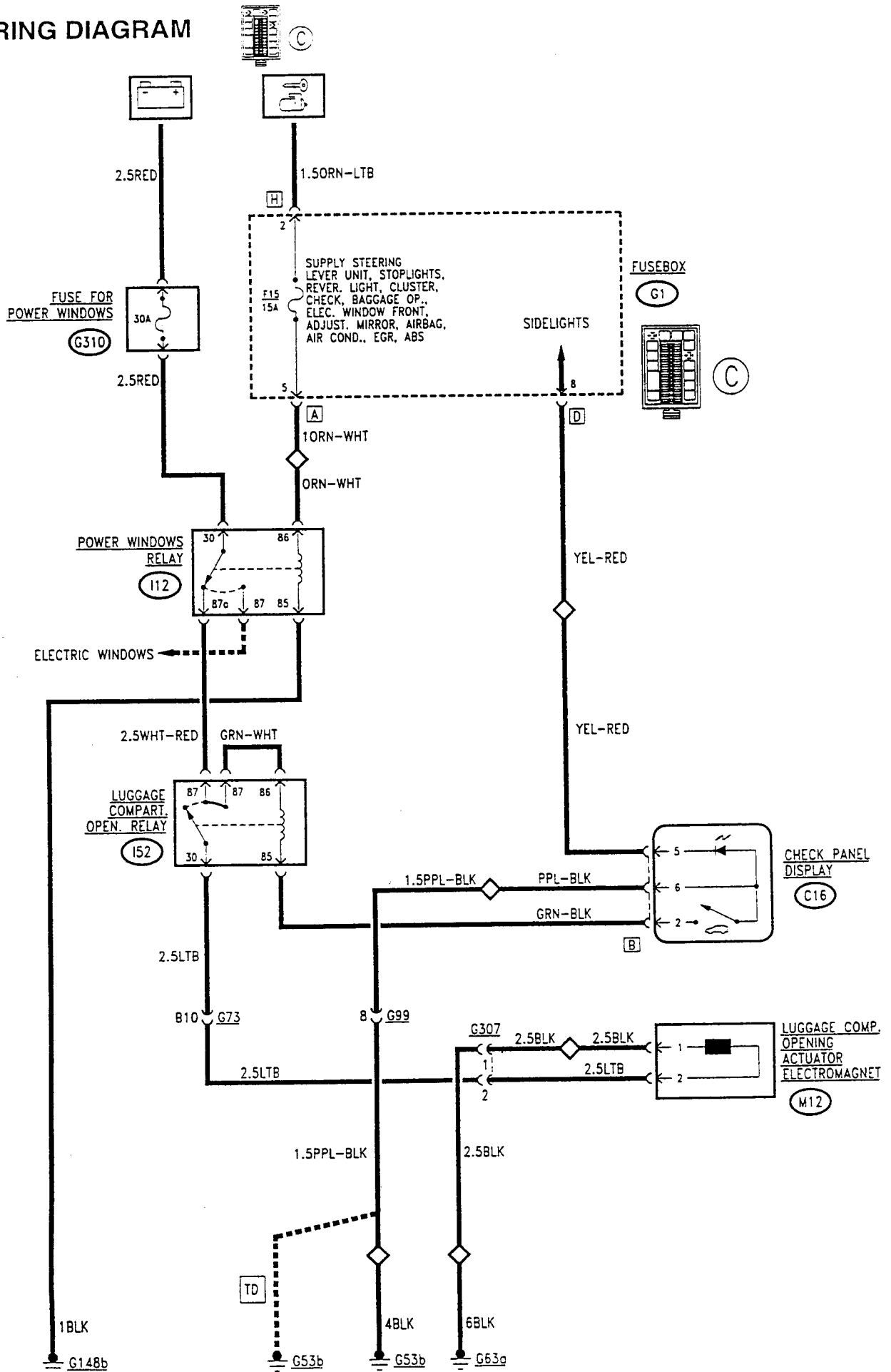
## INDEX

WIRING DIAGRAM . . . . .	22-2
GENERAL DESCRIPTION . . . . .	22-3
FUNCTIONAL DESCRIPTION . . . . .	22-3
COMPONENTS AND CONNECTORS . . . . .	22-3
LOCATION OF COMPONENTS . . . . .	22-6
FAULTFINDING TABLE . . . . .	22-7
CHECKING COMPONENTS . . . . .	22-7

## WIRING DIAGRAM



WIRING DIAGRAM





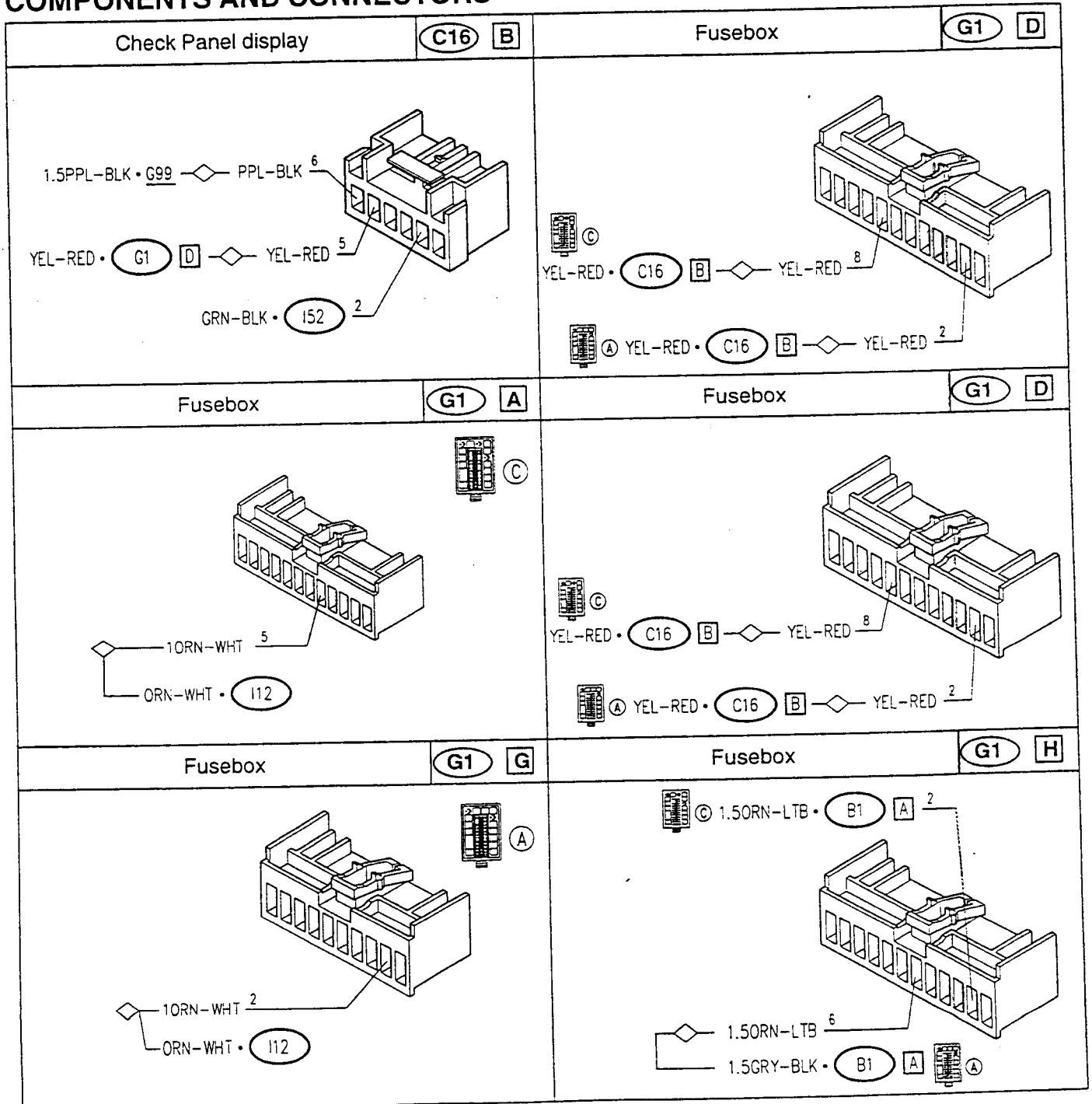
### GENERAL DESCRIPTION

In addition to using the key in the rear lock, the luggage compartment can also be opened from inside the car through an electrical control. The switch that opens the lock by an electromagnetic control is to be found on the "Check Panel" at the centre of the dashboard; the switch ideogram is illuminated when the side lights are on. This device only works with the key either at STOP or disengaged; otherwise the boot must be opened manually.

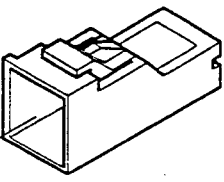
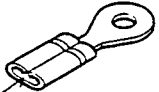
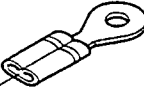
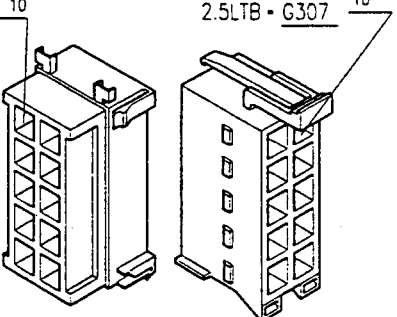
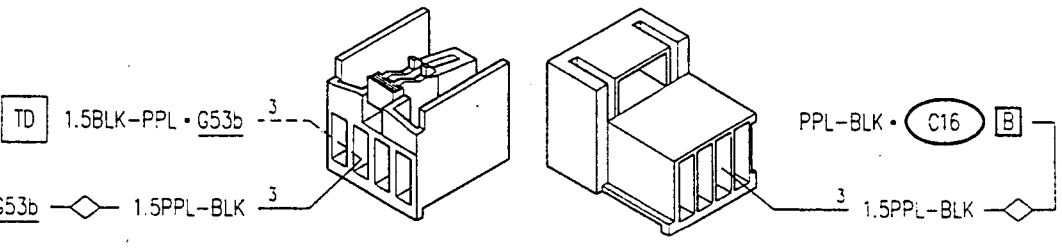
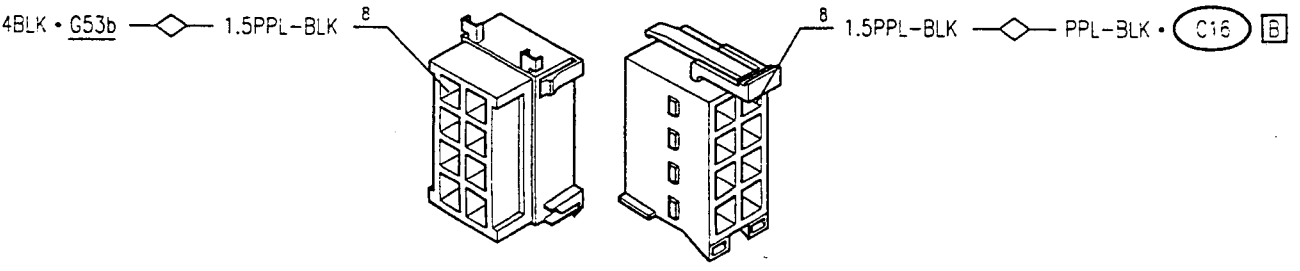
### FUNCTIONAL DESCRIPTION

The boot opening relay **I52** controls the system. The relay is supplied when the "key-operated" supply is disengaged, through the line of the power windows, protected by wander fuse **G310** and through relay/switch **I12**. With the ignition key disengaged or at STOP, the coil of relay switch **I52**, is energized by an earth signal leading from the luggage compartment opening switch located in **C16**. The relay switch then sends the supply to the luggage compartment opening electromagnet **M12** which triggers the lock. With the key at "MARCIA" relay **I52** is not supplied. The switch in **C16** is illuminated when the side lights are on. For further details see "Illumination of controls and indicators".

### COMPONENTS AND CONNECTORS



### COMPONENTS AND CONNECTORS (cont.d)

Fusebox	G1 Q	LH engine compartment earth	G53b
 <p>2.5RED • G310</p>	 <p>1.5BLK-PPL • G99 — 43LK</p> <p>TD 1.5BLK-PPL • G99</p>		
RH rear earth	G63a	Rear services connector	G73 B
 <p>2.5BLK • G307 — 6BLK</p>	 <p>2.5LTB • I52 — 10</p> <p>2.5LTB • G307 — 10</p>		
Dashboard/engine wiring connector (*)			G99
 <p>TD 1.5BLK-PPL • G53b — 3</p> <p>4BLK • G53b — 1.5PPL-BLK — 3</p> <p>PPL-BLK • C16 B</p> <p>1.5PPL-BLK — 3</p>			
Dashboard/engine wiring connector (**)			G99
 <p>4BLK • G53b — 1.5PPL-BLK — 8</p> <p>1.5PPL-BLK — 8 — PPL-BLK • C16 B</p>			

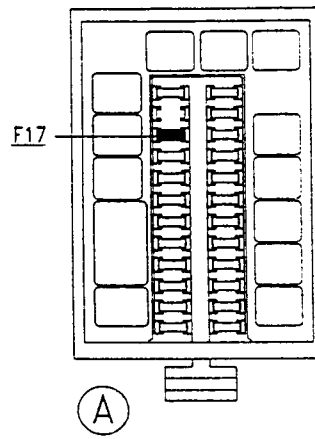
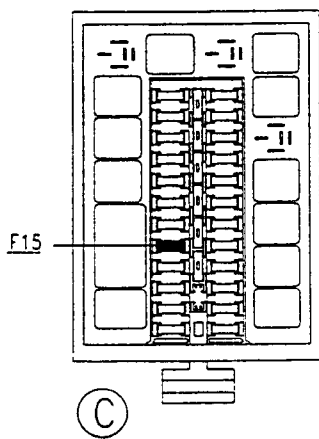
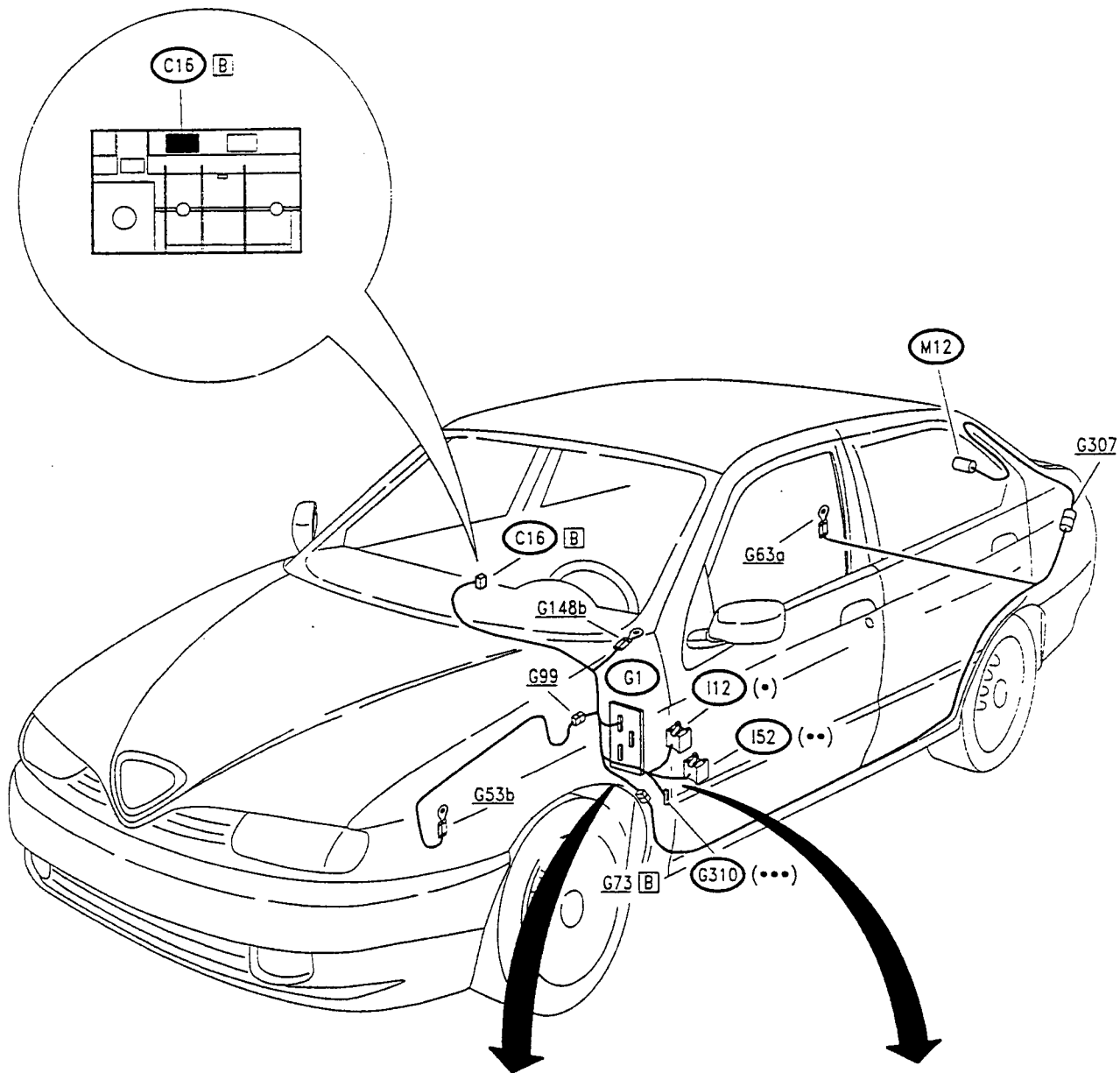
(\*) up to chassis no. PA493000000008

(\*\*) from chassis no. \_\_\_

### COMPONENTS AND CONNECTORS (cont.d)

LH earth under dashboard		<b>G148b</b>
<p>1BLK • I12</p>		
Rear/luggage compartment wiring connector		<b>G307</b>
<p>2.5LTB • G73 [B] 2</p> <p>6BLK • G63a ◊ 2.5BLK 1</p> <p>2.5BLK ◊ 2.5BLK • M12</p>		
RH front power window fuse	<b>G310</b>	Front power window relay switch
<p>© 4RED • G1 ◊ 2.5RED</p> <p>Ⓐ 2.5RED • G1 [Q]</p> <p>2.5RED • I12</p>		<p>1BLK • G148b 85</p> <p>2.5WHT-RED • I52 87c</p> <p>Ⓐ 10RN-WHT • G1 [G]</p> <p>◊ ORN-WHT 86</p> <p>Ⓒ 10RN-WHT • G1 [A]</p> <p>◊ ORN-WHT 86</p> <p>30 2.5RED • G310</p>
Luggage compartment opening switch	<b>I52</b>	Luggage compartment opening electromagnet
<p>GRN-BLK • C16 [B] 85</p> <p>2.5WHT-RED • I12 87</p> <p>87 GRN-WHT 86</p> <p>30 2.5LTB • G73 [B]</p>		<p>2.5LTB • G307 2</p> <p>2.5BLK • G307 ◊ 2.5BLK 1</p>

### LOCATION OF COMPONENTS



- (•) black base
- (••) yellow base
- (•••) green fuseholder



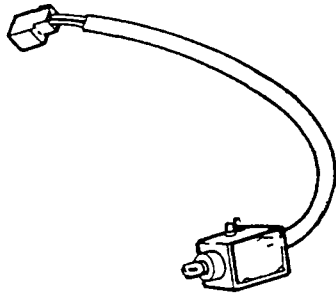
### FAULTFINDING TABLE

Failure	Component to be checked				
	G310	M12	I52	I12	C16 (*)
Luggage compartment opening control	•	•	•	•	•
Luggage compartment opening switch light (with side lights on)					•

(\*) The Check Panel display C16 cannot be repaired. Therefore in the event of a failure it is not possible to change the switch and a complete new Check Panel must be fitted.

### CHECKING COMPONENTS

Luggage compartment opening electromagnet **M12**



SPECIFICATIONS	
Nominal voltage	12V
Absorbed current	31A
Magnetic core stroke	10 ± 0,5 mm

