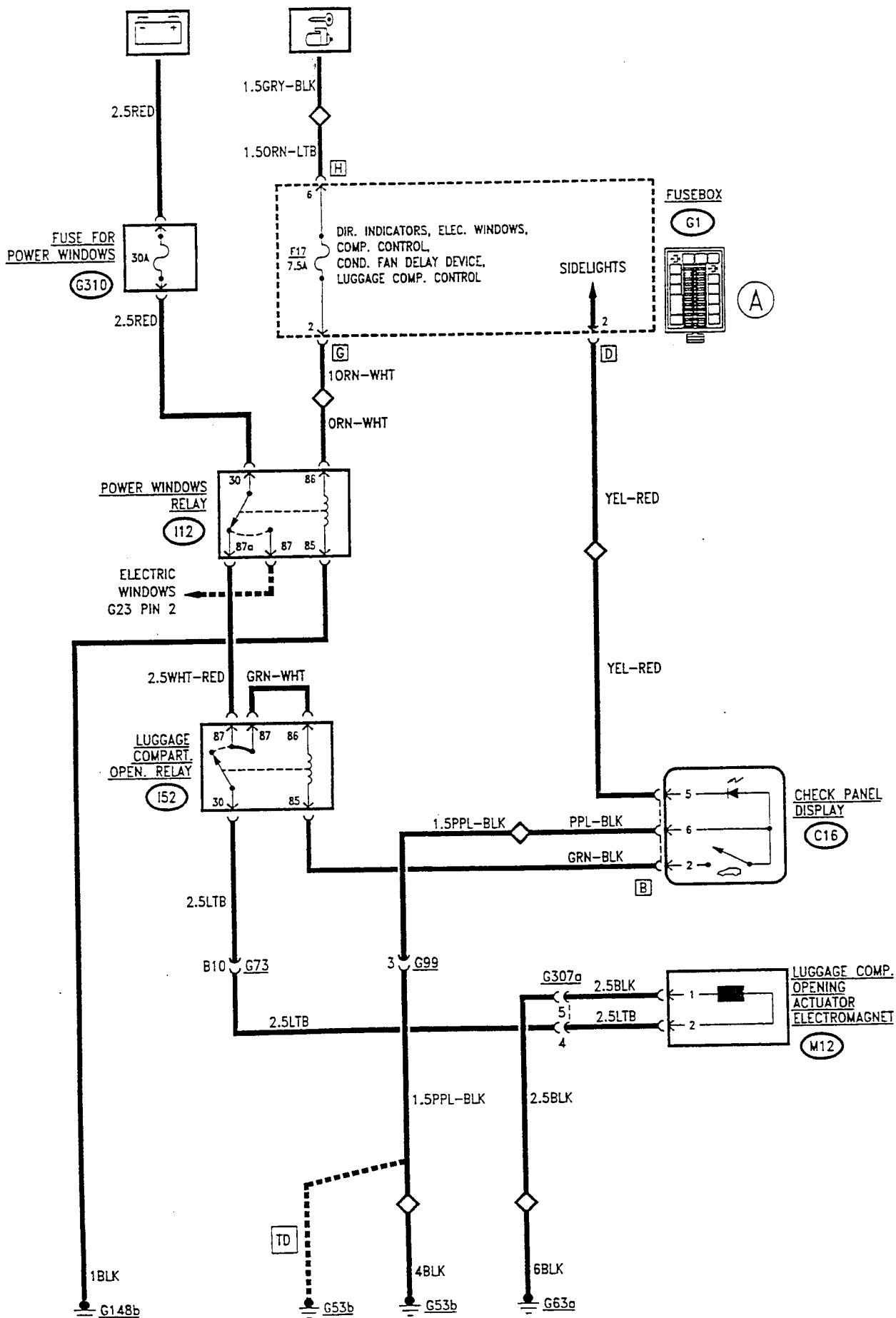


LUGGAGE COMPARTMENT OPENING CONTROL

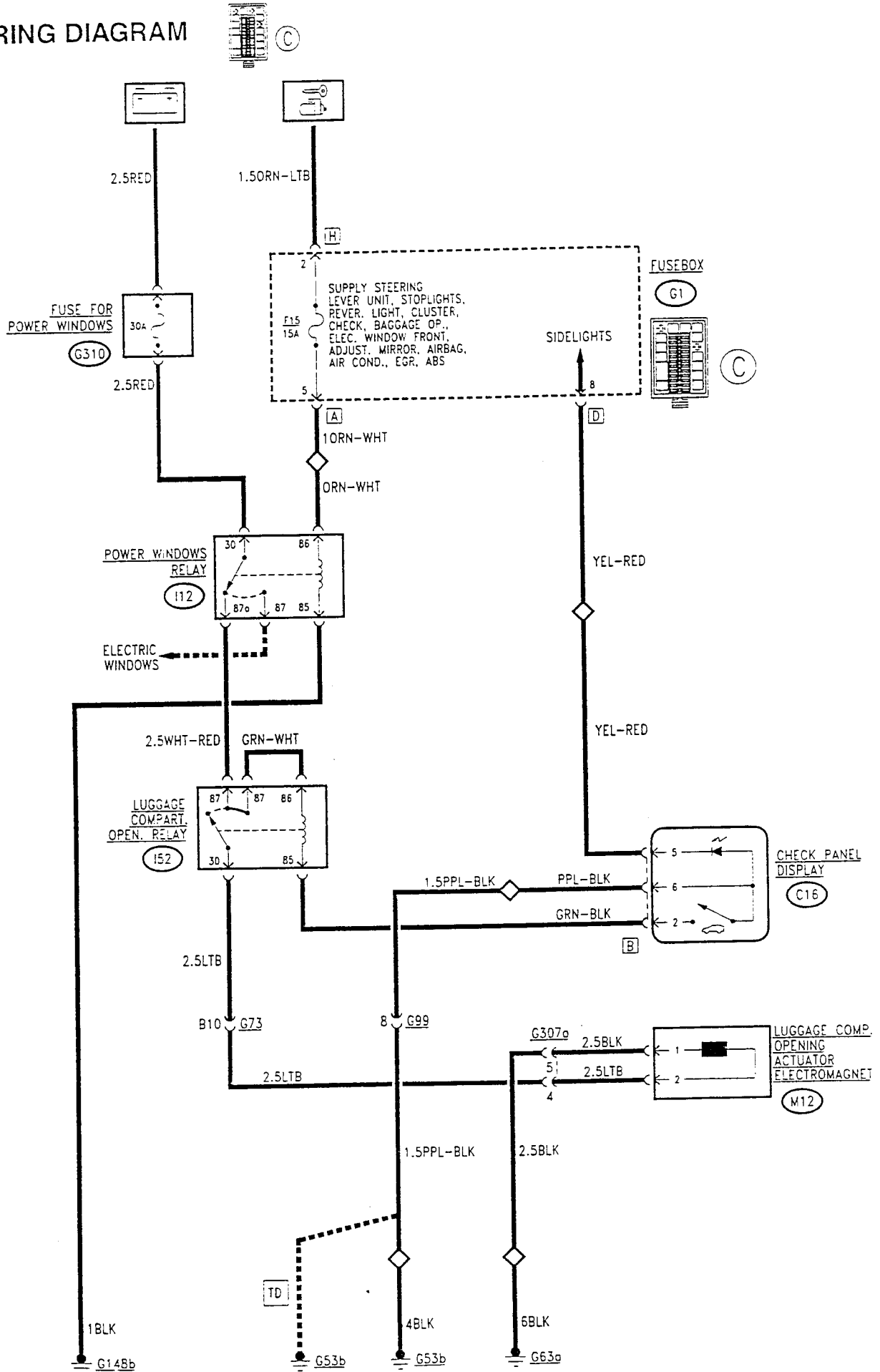
INDEX

WIRING DIAGRAM	22-2
GENERAL DESCRIPTION	22-3
FUNCTIONAL DESCRIPTION	22-3
COMPONENTS AND CONNECTORS	22-3
LOCATION OF COMPONENTS	22-6
FAULTFINDING TABLE	22-7
CHECKING COMPONENTS	22-7

WIRING DIAGRAM



WIRING DIAGRAM



GENERAL DESCRIPTION

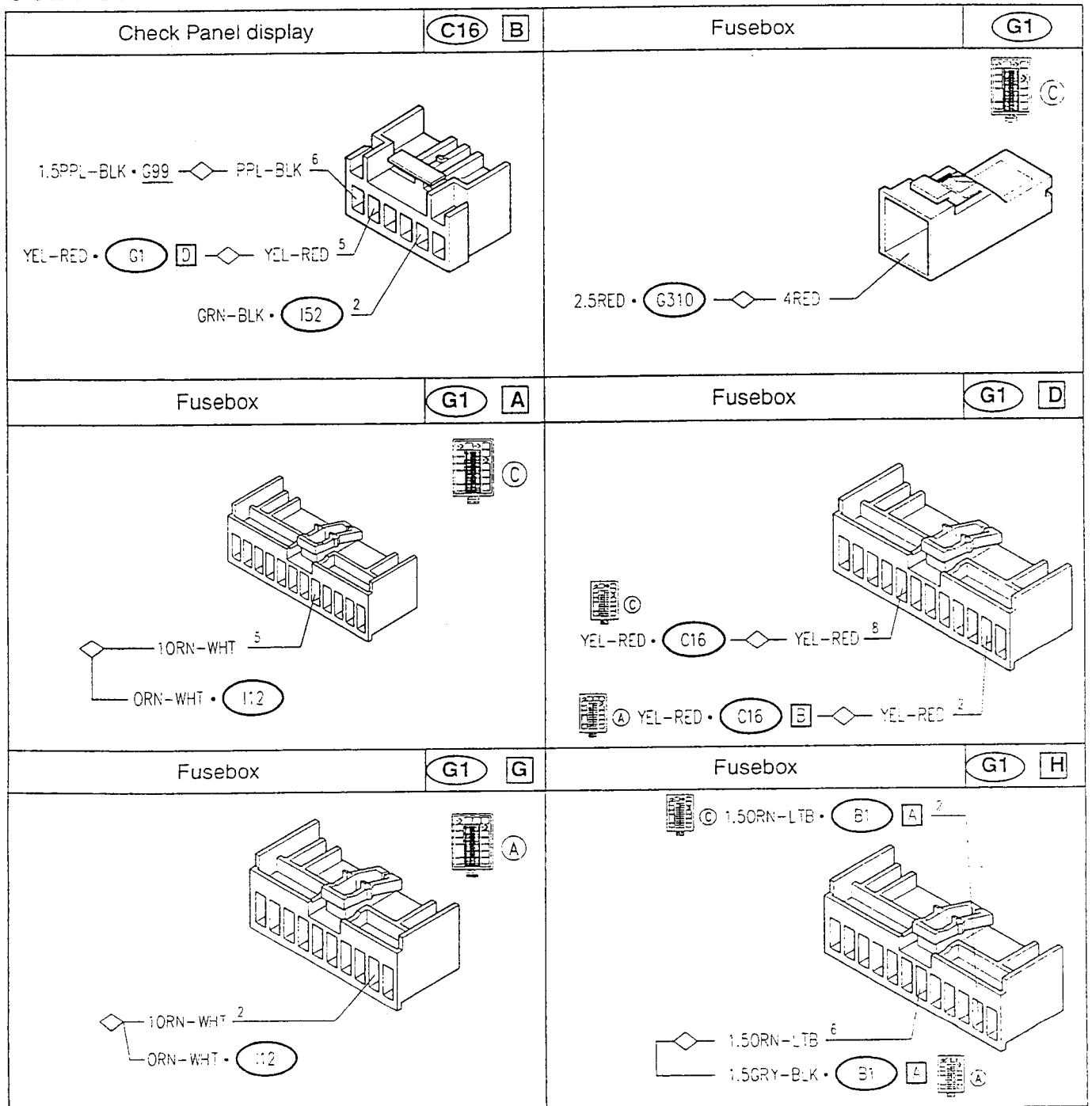
In addition to using the key in the rear lock, the luggage compartment can also be opened from inside the car through an electrical control. The switch that opens the lock by an electromagnetic control is to be found on the "Check Panel" at the centre of the dashboard; the switch ideogram is illuminated when the side lights are on. This device only works with the key either at STOP or disengaged; otherwise the boot must be opened manually.

The relay is supplied when the "key-operated" supply is disengaged, through the line of the power windows, protected by wander fuse G310 and through relay/switch I12. With the ignition key disengaged or at STOP, the coil of relay switch I52, is energized by an earth signal leading from the luggage compartment opening switch located in C16. The relay switch then sends the supply to the luggage compartment opening electromagnet M12 which triggers the lock. With the key at "MARCIA" relay I52 is not supplied. The switch in C16 is illuminated when the side lights are on. For further details see "Illumination of controls and indicators".

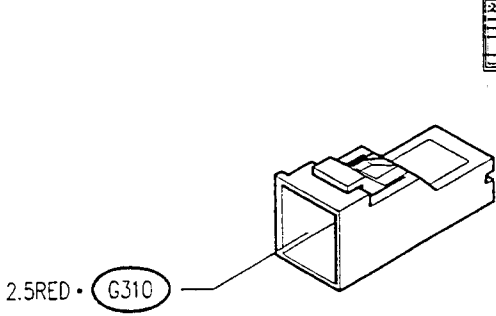
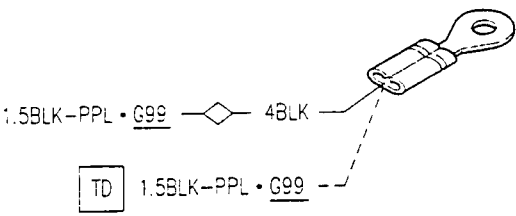
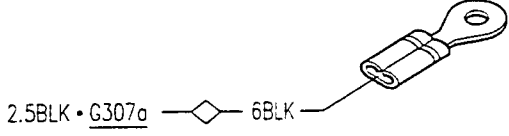
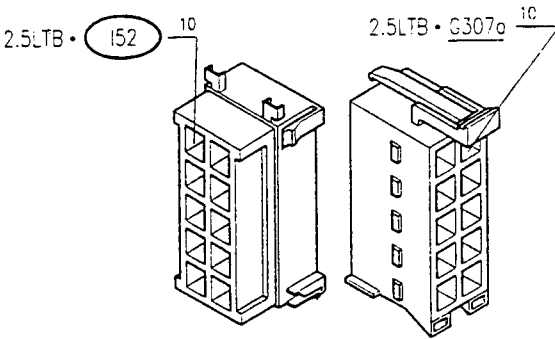
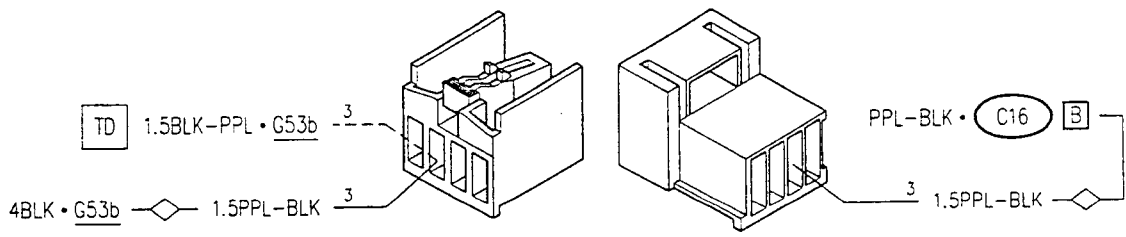
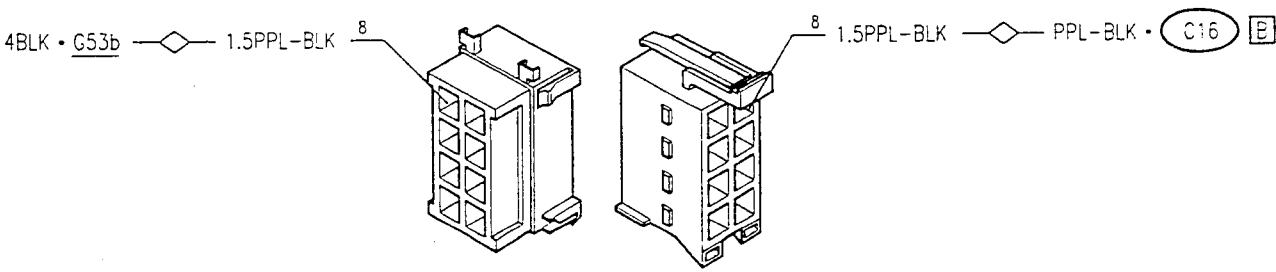
FUNCTIONAL DESCRIPTION

The boot opening relay I52 controls the system.

COMPONENTS AND CONNECTORS



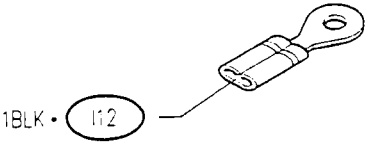
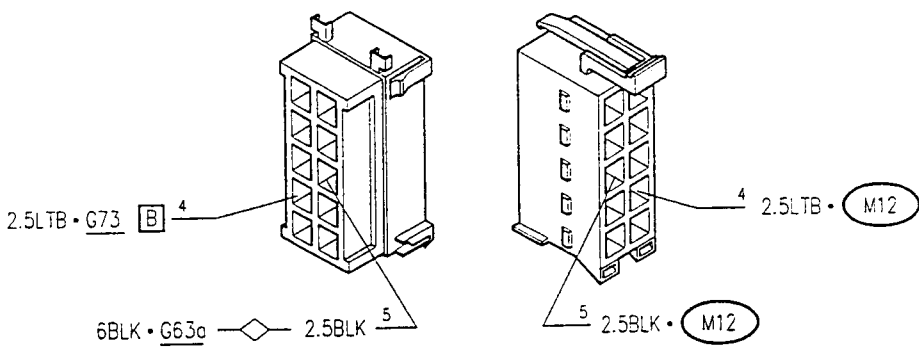
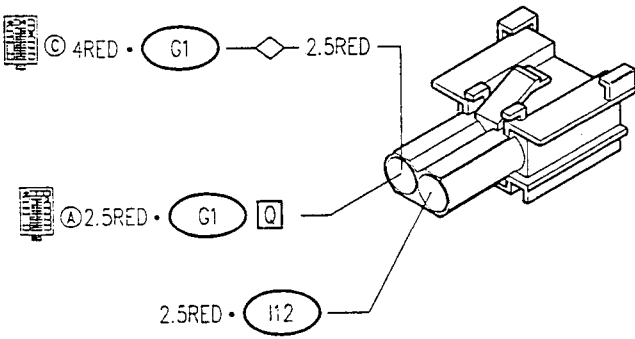
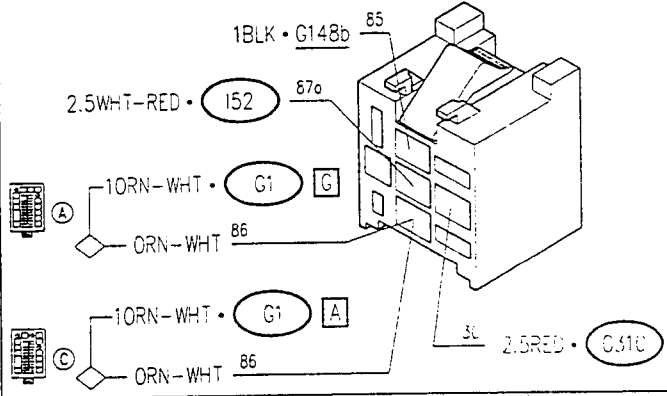
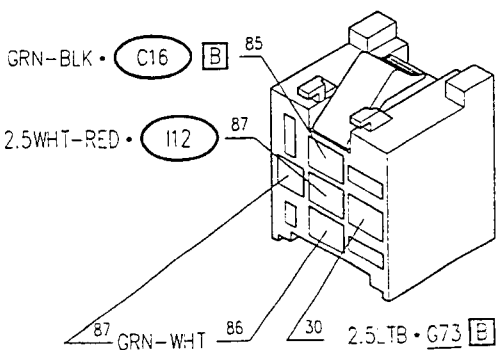
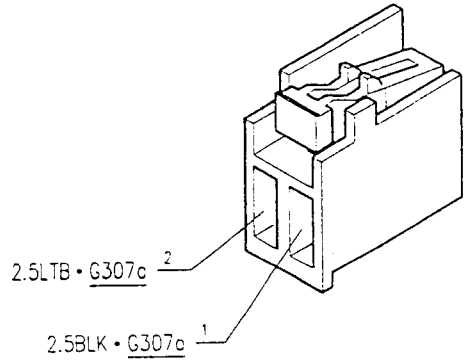
COMPONENTS AND CONNECTORS (cont.d)

Fusebox	G1 Q	LH engine compartment earth	G53b
 <p>2.5RED • G310</p>	 <p>1.5BLK-PPL • G99 — 48BLK</p> <p>TD 1.5BLK-PPL • G99</p>		
RH rear earth	G63a	Rear services connector	G73 B
 <p>2.5BLK • G307a — 6BLK</p>	 <p>2.5LTB • 152</p> <p>2.5LTB • G307a</p>		
Dashboard/engine wiring connector (*)			G99
 <p>TD 1.5BLK-PPL • G53b — 3</p> <p>48BLK • G53b — 1.5PPL-BLK — 3</p> <p>PPL-BLK • C16 B</p> <p>3 1.5PPL-BLK —</p>			
Dashboard/engine wiring connector (**)			G99
 <p>48BLK • G53b — 1.5PPL-BLK — 8</p> <p>8 1.5PPL-BLK — PPL-BLK • C16 B</p>			

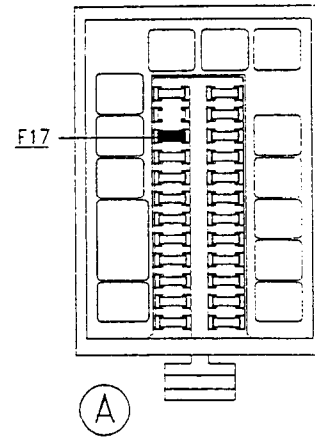
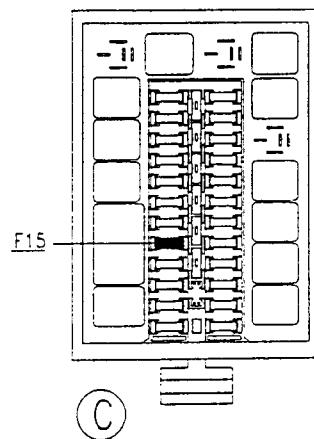
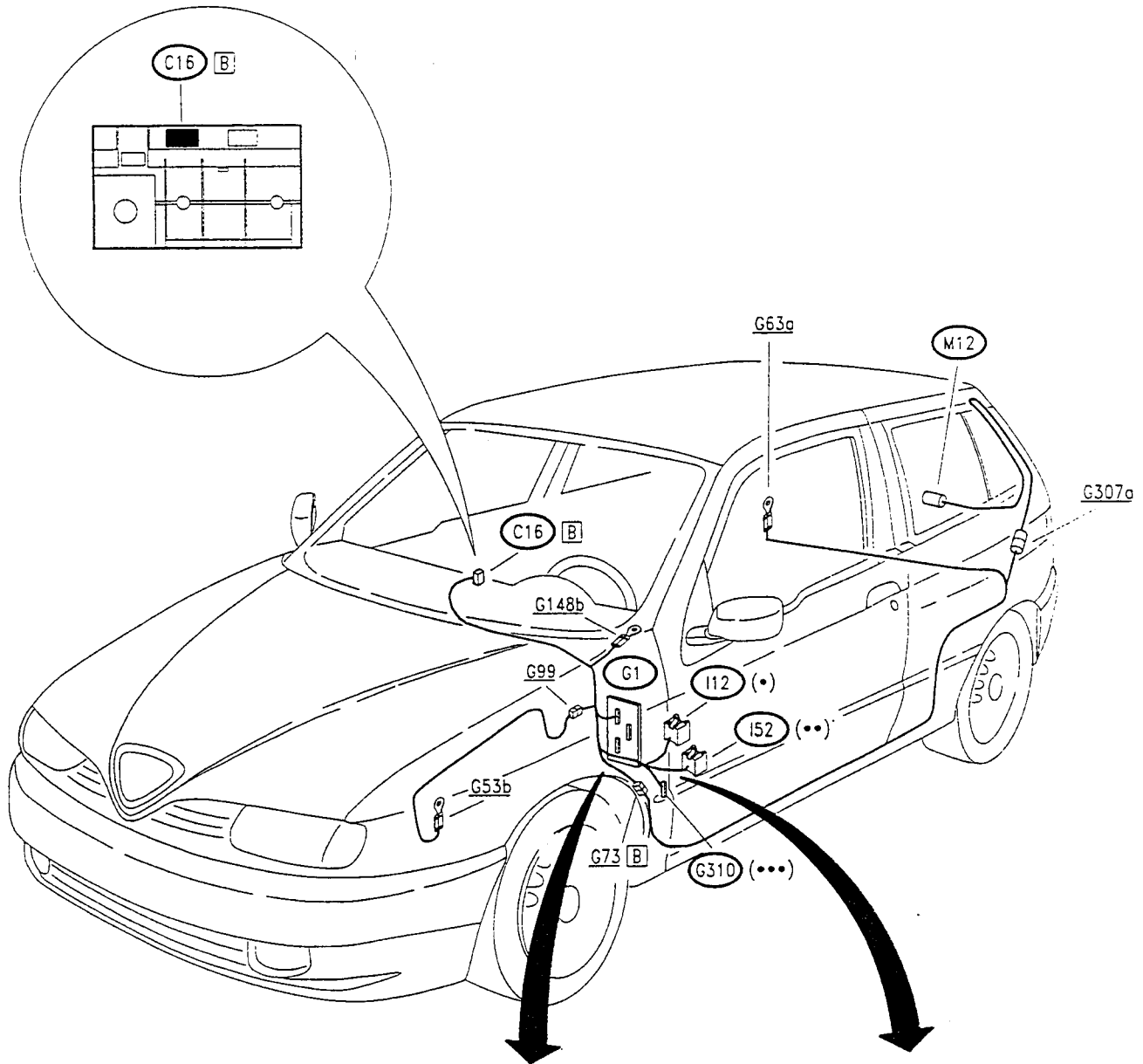
(*) up to chassis no. __

(**) from chassis no. __

COMPONENTS AND CONNECTORS (cont.d)

LH earth under dashboard		G148b
 <p>1BLK • I12</p>		
Rear/luggage compartment wiring connector A		G307a
 <p>2.5LTB • G73 (B) 4 6BLK • G63c 2.5BLK 5 2.5LTB • M12</p>		
RH front power window fuse	G310	Front power window relay switch
 <p>4RED • G1 (C) 2.5RED 2.5RED • G1 (Q) 2.5RED • I12</p>		 <p>1BLK • G148b (85) 2.5WHT-RED • I52 (87a) 10RN-WHT • G1 (G) (86) ORN-WHT (86) 10RN-WHT • G1 (A) (86) ORN-WHT (86) 2.5RED • G310 (30)</p>
Luggage compartment opening switch	I52	Luggage compartment opening electromagnet
 <p>GRN-BLK • C16 (B) (85) 2.5WHT-RED • I12 (87) GRN-WHT (87) 2.5TB • G73 (E) (30)</p>		 <p>2.5LTB • G307c (2) 2.5BLK • G307c (1)</p>

LOCATION OF COMPONENTS



- (•) black base
- (••) yellow base
- (•••) green fuseholder

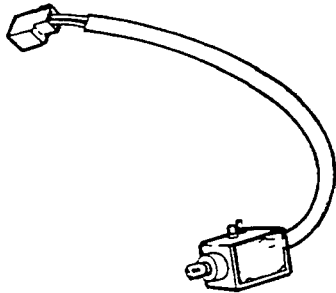
FAULTFINDING TABLE

Failure	Component to be checked				
	G310	M12	I52	I12	C16 (*)
Luggage compartment opening control	•	•	•	•	•
Luggage compartment opening switch light (with side lights on)					•

(*) The Check Panel display C16 cannot be repaired. Therefore in the event of a failure it is not possible to change the switch and a complete new Check Panel must be fitted.

CHECKING COMPONENTS

Luggage compartment opening electromagnet **M12**



SPECIFICATIONS	
Nominal voltage	12V
Absorbed current	31A
Magnetic core stroke	10 ± 0,5 mm

