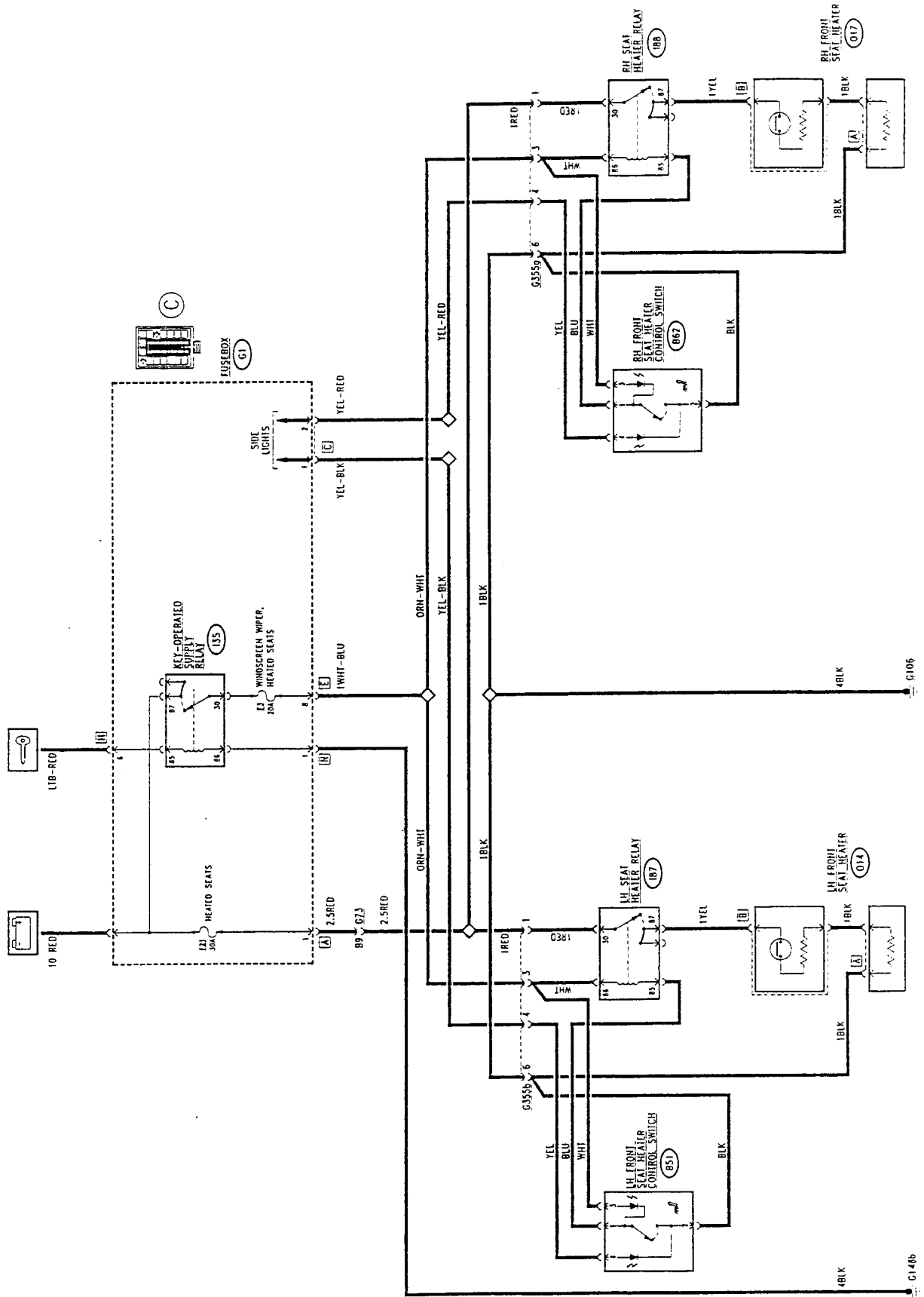


## WIRING DIAGRAM





## GENERAL DESCRIPTION

The front seats are available - for certain markets - fitted with a heating device (comprising two plates located in the cushion and in the seat back) through which it is possible to heat the seat thus eliminating the inconvenience caused in very cold climates when the vehicle is parked outdoors for prolonged periods.

The heating system comprises two resistors operated through a switch and a relay; a thermostat cuts off heating automatically once a certain temperature has been reached.

The control switch for each seat is located one side of the seat itself and it is illuminated.

## FUNCTIONAL DESCRIPTION

The seat heater relays **I88** (right) and **I87** (left) are supplied directly by a special line (fuse **F21**) and "key-operated" via fuse **F4**, of the fusebox **G1**, or fuse **F3** of **G1** "C".

The two resistances in series of the heating devices **O17** (right seat) and **O14** (left seat), connected to earth, are supplied by the respective relay with battery voltage. This is energised by the switch **B62** (right) and **B51** (left) which, as they close, send an earth signal to the corresponding coil.

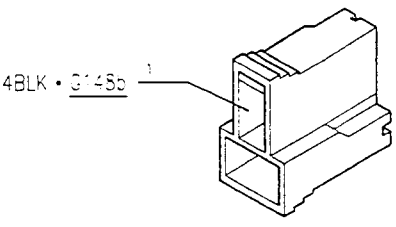
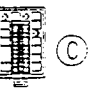
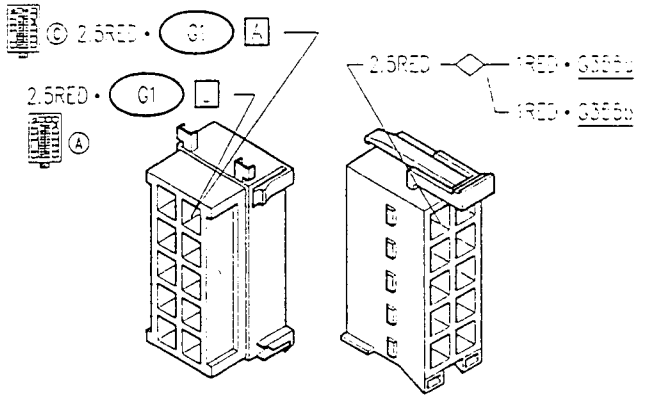
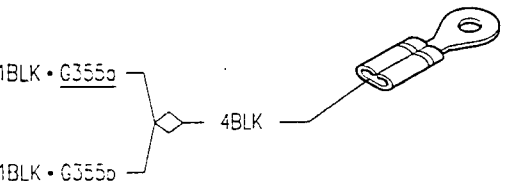
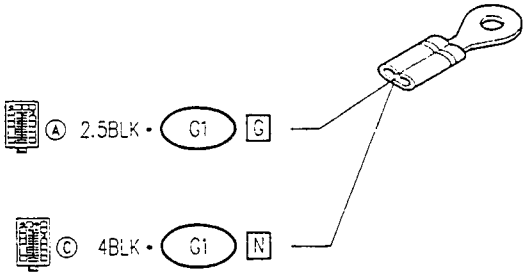
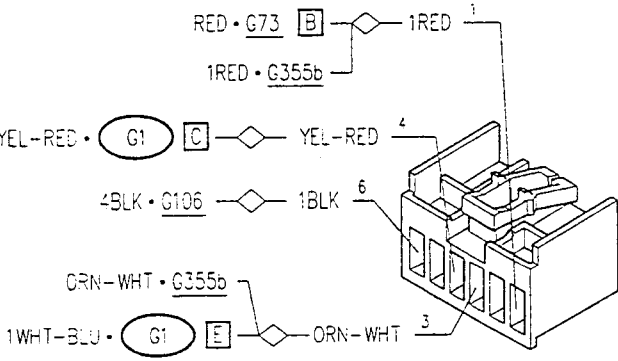
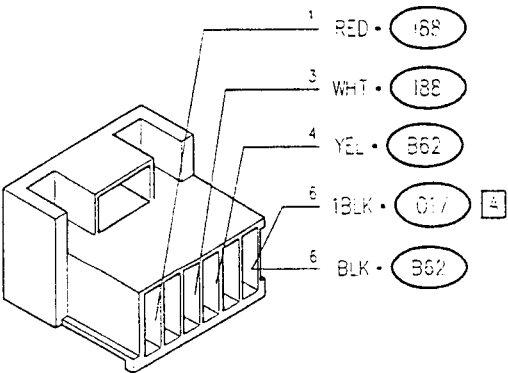
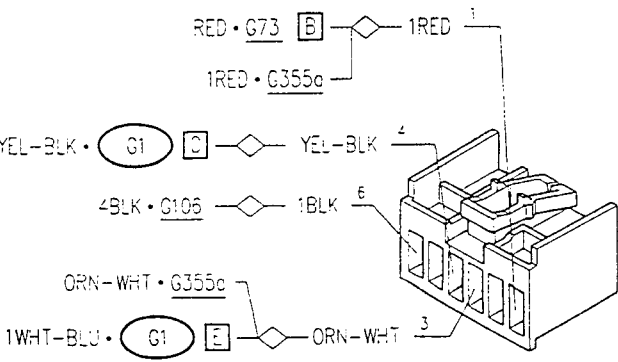
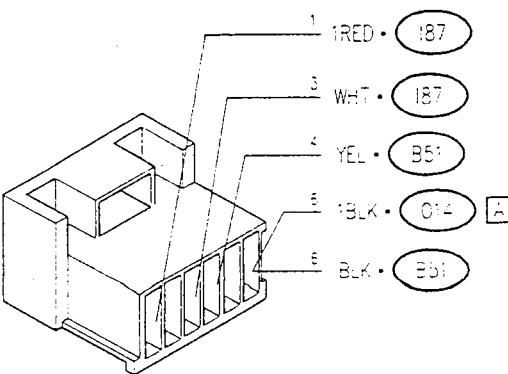
A thermal contact inside the heaters automatically disconnects the resistances when the temperature exceeds a certain limit (appr. 26°C).

Inside the switches **B62** and **B51** there are two leds: one lights up when the heater is turned on, the other is illuminated when the side lights are on.

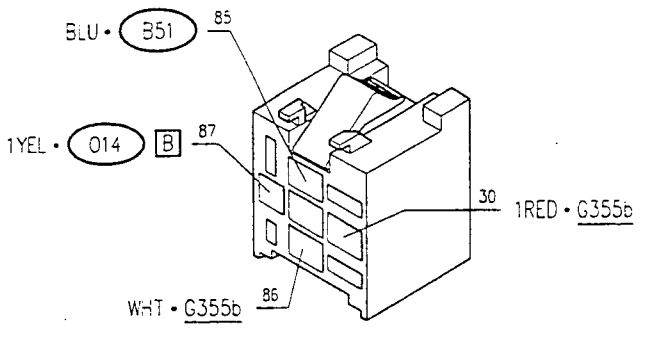
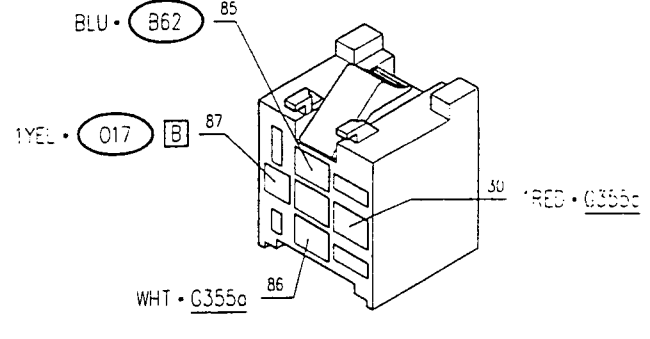
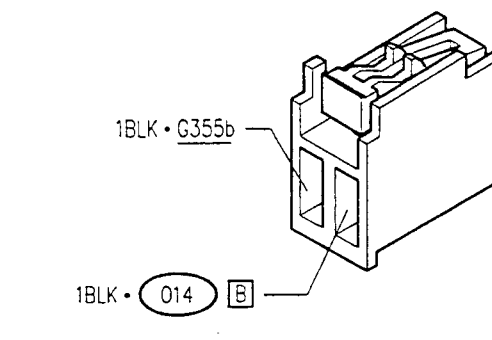
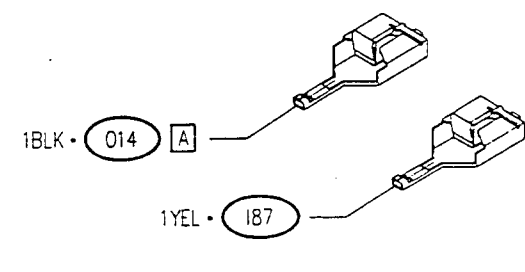
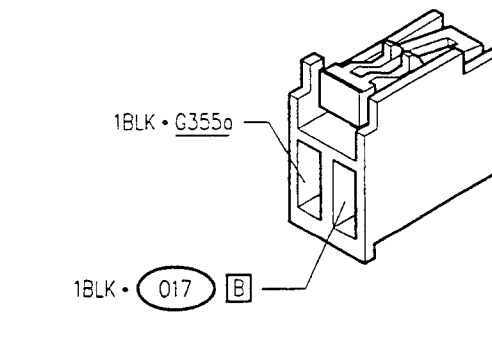
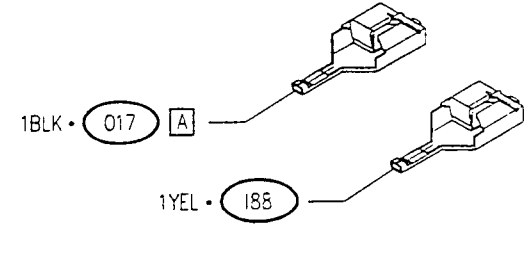
### COMPONENTS AND CONNECTORS

LH front seat heater control switch	(B51)	RH front seat heater control switch	(B62)
Fusebox	(G1) (A)	Fusebox	(G1) (C)
Fusebox	(G1) (E)	Fusebox	(G1) (H)
Fusebox	(G1) (G)	Fusebox	(G1) (L)

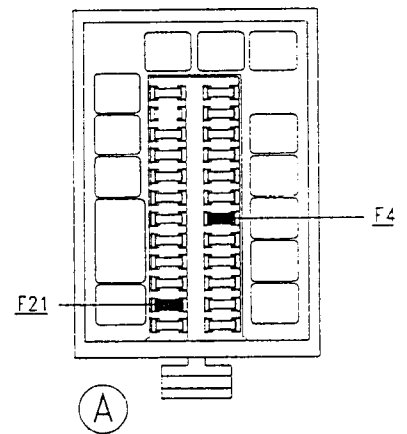
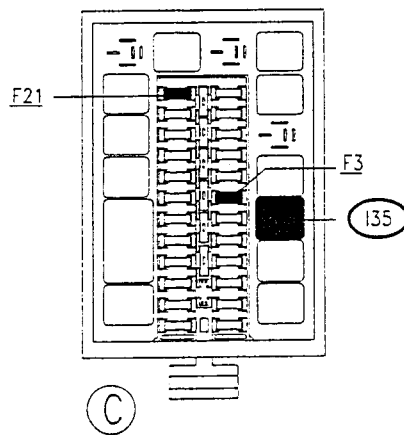
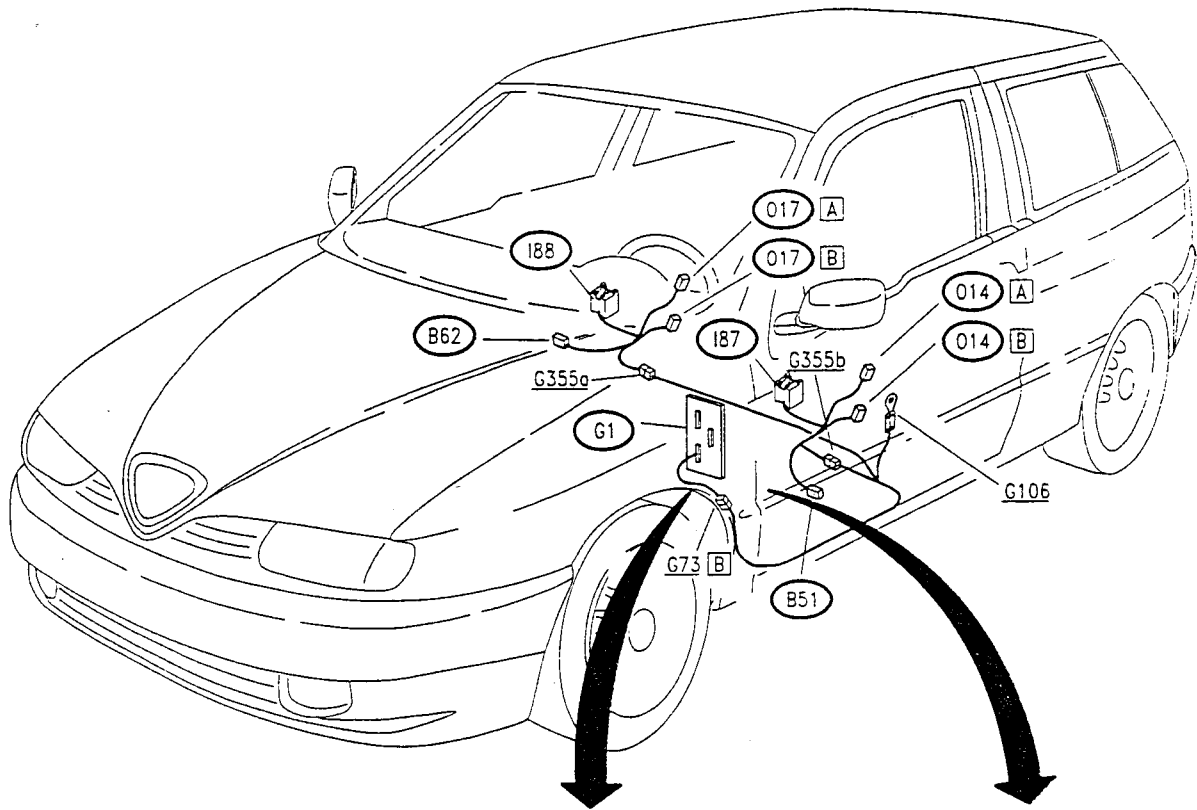
### COMPONENTS AND CONNECTORS (cont.d)

<p>Fusebox</p> 	<p>G1 N</p> 	<p>Rear services connector</p> 	<p>G73 B</p>
<p>Seat crossrail earth</p> 	<p>G106</p>	<p>Earth under LH dashboard</p> 	<p>G148b</p>
<p>RH seat heater connector</p>  		<p>G355a</p>	
<p>LH seat heater connector</p>  		<p>G355b</p>	

## COMPONENTS AND CONNECTORS (cont.d)

LH seat heater relay	187	RH seat heater relay	188
			
LH front seat heater	014 A	LH front seat heater	014 B
			
RH front seat heater	017 A	RH front seat heater	017 B
			

## LOCATION OF COMPONENTS

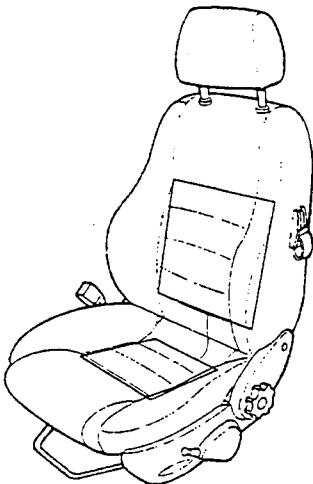


## FAULT-FINDING TABLE

Fault	Component to be checked							
	F21	F4	(I88)	(O17)	(I87)	(O14)	(B51)	(B62)
RH seat heating	•	•	•	•				•
LH seat heating	•	•			•	•	•	
RH seat heating control lights								•
LH seat heating control lights							•	

## CHECKING COMPONENTS

Seat heater (O14) - (O17)



SPECIFICATIONS	
Cushion resistance (conn. B)	1.45 Ω
Seat back resistance (conn. A)	0.98 Ω
Thermal contact cut in temperature	26 ± 3°C