

KEY

KEY

A: STARTING - RECHARGING

A1	Battery
A2	Alternator
A3	Alternator with integral electronic voltage regulator
A4	Voltage regulator
A5	Ignition distributor
A5a	Ignition distributor A
A5b	Ignition distributor B
A6	Impulse generator
A7	Rotor
A8	Ignition coil
A8a	Ignition coil A
A8b	Ignition coil B
A9	Coil resistance
A10	2-way connector for coil
A11	Starter motor
A12	Spark plugs
A13	Pre-heating glow plugs
A14	Alternator cable terminal board

B: MANUAL ELECTRIC CONTROLS

B1	Ignition switch
B2	Windscreen wiper control
B3	Windscreen and/or headlight washer pump control
B4	Control for side lights, flashing, low/high beam headlights
B5	Horn control switch
B6	Direction indicator light control
B7	Low beam flashing control switch
B8	High beam flashing control switch
B9	Heated rear window control switch
B10	Fog light control switch
B11	Rear fog light control switch
B12	Road hazard lights control switch
B13	Passenger compartment front roof lamp control switch
B14	Passenger compartment rear roof lamp control switch
B15	Passenger compartment roof lamp control switch
B16	Cluster lighting dimmer rheostat
B17	Gearbox oil level warning light switch
B18	Front right door-locking control switch
B19	Front left door-locking control switch
B20	Interior door-locking switch
B21	Front right power window control switch
B22	Front left power window control switch
B23	Rear right power window control switch
B24	Rear left power window control switch
B25	Rear power window inhibitor switch
B26	Rear power window and rear cigar lighter inhibitor switch
B27	Front seat height adjustment control switch
B28	Front left backrest adjustment control switch
B29	Front right backrest adjustment control switch
B30	Door electric rear view mirror control switch
B31	Electric aerial control switch
B32	Windscreen washer pump control
B33	Front spot light switch
B34	Rear left spot light switch
B35	Rear right spot light switch
B36	Right door rear view mirror double control switch
B37	Parking light control switch
B38	Rear window wiper control switch
B39	Trip odometer recall microswitch
B40	Trip odometer reset microswitch
B41	VF electronic rheostat
B42	Lamp dimmer rheostat
B43	Internal control switch for door unlock
B44	Rear spot light control switch
B45	Recognition light control switch

B46	Two-tone horn control switch
B47	Sunroof motor control switch
B48	Interphone system control switch
B49	Talk/listen switch
B50	Siren control switch
B51	Driver's seat heater control switch
B52	Front right seat longitudinal adjusting switch
B53	Front power window full acting switch
B54	Front left seat longitudinal adjusting switch
B55	Luggage compartment opening control switch
B56	Rear right seat adjusting device switch
B57	Rear right seat heating device switch
B58	Rear left seat adjusting device switch
B59	Rear left seat heating device switch
B60	Cluster warning light operation check push-button
B61	Fuel filler cap opening switch
B62	Front right seat heating device switch
B63	Front right seat height adjusting switch
B64	Cruise control "OFF", "RESUME" switch
B65	Cruise control "SET ACC.", "SET DEC." switch
B66	Position/Hazard/Fuel flap light control push-button panel
B67	Controlled damping suspension shock-absorber control board
B68	Combination switch unit
B69	Headlight aiming control device
B70	Rear windscreen washer-headlight washer windscreen washer pump control
B71	Front electric window double control switch (LH and RH)
B72	Four-wheel drive control switch
B73	Vehicle lift switch
B74	Vehicle lower switch
B75	Driver's seat memory panel
B76	Front right-hand seat lumbar support regulation switch
B77	Front left-hand seat lumbar support regulation switch
B78	Front right-hand seat rear tilt regulation switch
B79	Front left-hand seat rear tilt regulation switch
B80	Front right-hand seat vertical - longitudinal regulation switch
B81	Front left-hand seat vertical - longitudinal regulation switch
B82	Front right-hand seat front tilt regulation switch
B83	Front left-hand seat front tilt regulation switch
B84	Front right-hand rear tilt, front tilt, longitudinal and vertical regulation switch unit
B85	Front left-hand rear tilt, front tilt, longitudinal and vertical regulation switch unit
B86	Front left-hand seat heating switch
B87	Boot release switch with glovebox light
B88	Light dimmer rheostat (DIM-DIP)

C: INSTRUMENTS

C1	Electronic rev-counter
C2	Electronic speedometer
C3	Voltmeter
C4	Fuel level gauge
C5	Oil pressure gauge
C6	Coolant temperature gauge
C7	Clock
C8	Space free for instrument
C9	Turbo charger air pressure gauge
C10	Cluster (*)
C11	ALFA ROMEO Control display
C12	Performance gauge display
C13	Optoelectronic cluster
C14	Warning lamp panel
C15	Door lock actuated LED
C16	Display check with clock
C17	Odometer module on instrument panel

KEY

D: WARNING LAMPS

D1	Alternator warning lamp
D2	Direction indicator light warning lamp
D3	Tail light warning lamp
D4	High beam warning lamp
D5	Brake fluid low level warning lamp
D6	Heater/ventilation warning lamp
D7	Handbrake warning lamp
D8	Fuel reserve warning lamp
D9	Choke warning lamp
D10	Handbrake brake fluid level warning lamp
D11	Engine oil minimum pressure warning lamp
D12	Pre-heating glow plug warning lamp
D13	Engine coolant maximum temperature warning lamp
D14	Maximum air pressure warning lamp
D15	Low fuel pressure warning lamp
D16	Warning lamp free
D17	Gear position warning lamp
D18	Manual injection advance warning lamp
D19	Brake pad wear warning lamp
D20	Rear drive engagement warning lamp
D21	ALFA ROMEO Control warning lamp
D22	Heated rear window warning lamp
D23	Hazard lights warning lamp
D24	Rear fog light warning lamp
D25	Fog light warning lamp
D26	Injection diagnosis warning lamp
D27	ABS System warning lamp
D28	Recognition light warning lamp
D29	Ignition/anti-knock diagnosis warning lamp
D30	Gearbox oil level warning lamp
D31	Anti theft LED
D32	Four-wheel drive system malfunction warning light
D33	Four-wheel drive engaged warning light
D34	AIR-BUG warning lamp
D35	Vehicle lift warning lamp
D36	Right direction indicators and hazard warning lights warning lamp
D37	Left direction indicators and hazard warning lights warning lamp
D38	"Sidelights on" warning light
D39	"Brake light on" warning light
D40	"Instrument panel warning light on" warning light
D41	Low engine oil level warning light
D42	Low engine coolant warning light

E: EXTERNAL LIGHTS

E1	Front direction indicator light
E2	Front position light
E3	Front direction indicator and position light
E4	Front side marker light
E5	Low beam light
E6	Low beam with incorporated side light
E7	High beam light
E8	Low and high beam light
E9	Side indicator light
E10	Fog light
E11	Rear direction indicator light
E12	Rear side marker light
E13	Rear side light
E14	Reverse light
E15	Stop light
E16	Rear fog light
E17	Numberplate light
E18	Stop and rear side light
E19	Rear right light
E20	Rear left light
E21	Inspection light
E22	Recognition light

E23	Front right optical unit
E24	Front left optical unit
E25	Right rear light (fixed part)
E26	Left rear light (fixed part)
E27	Central rear light (mobile)
E28	Third stop light
E29	Supplementary dipped beam light
E30	Rear central foglight/right-hand reversing light
E31	Rear central foglight/left-hand reversing light

F: INTERNAL LIGHTS

F1	Passenger compartment front roof lamp
F2	Passenger compartment rear roof lamp
F3	Passenger compartment roof lamp
F4	Engine compartment lamp
F5	Luggage compartment lamp
F6	Door open signalling light
F7	Fuse light
F8	Heater/ventilation controls lighting lamp
F9	Glovebox light
F10	Ashtray light
F11	Map light
F12	Cluster light
F13	Front spot light
F14	Rear right spot light
F15	Rear spot light
F16	Ignition switch light
F17	Switch illumination light
F18	Rear spot light
F19	Passenger compartment right-side courtesy light
F20	Passenger compartment left-side courtesy light
F21	Right-side spot light with switch
F22	Left-side spot light with switch
F23	Right inner side footboard courtesy light
F24	Left inner side footboard courtesy light
F25	Courtesy mirror light on sun visor
F26	Gear shift lever plate light
F27	Light signalling front-right door opened
F28	Light signalling front-left door opened
F29	Light signalling rear-right door opened
F30	Light signalling rear-left door opened
F31	Front-right door opened ground light
F32	Front-left door opened ground light
F33	Rear-right door opened ground light
F34	Rear-left door opened ground light
F35	Central roof lamp with passenger compartment lighting controls
F36	Courtesy light with controls on rear right upright
F37	Courtesy light with controls on rear left upright
F38	Automatic gear control light
F39	Central air vent light
F40	Right-hand air vent light
F41	Tunnel air vent light
F42	Left-hand air vent light
F43	Seat control panel light
F44	Central passenger compartment rooflight

G: FUSE BOXES - CONNECTIONS - GROUNDS

G1	Fusebox
G2	Auxiliary fuse box
G3	Fuse box terminal
G4	Flying fuse box
G5	Multiple connection
G6	Multiple connection B - cluster
G7	Multiple connection R - cluster
G8	Single connection
G9	Connection between front left door wiring and door mirror switch

KEY

G: FUSEBOX - CONNECTIONS - GROUNDS (Continued)

G10	Connection between front right door wiring and door mirror switch	G60	Injection wiring ground
G11	Connection between board wiring and rear wiring	G61	Connection for ignition coil
G12	Connection between board wiring and mirror switch	G62	Clutch switch connection
G13	Connection between board wiring and console wiring	G63	Rear ground
G14	3-way connection between board wiring and door wiring	G63a	Rear right ground
G15	2-way connection between board wiring and door wiring	G63b	Rear left ground
G16	6-way connection between board wiring and door wiring	G64	Connection for Trip Computer - dock
G17	Connection between board wiring and front right door wiring	G65	Coaxial cable
G18	Connection between board wiring and front left door wiring	G66	Motronic wiring ground
G19	Connection between board wiring and passenger compartment roof lamp	G67	Motronic connection
G20	Connection for front right door-locking motor	G68	Connection A with board wiring
G21a	Connection for front right door-wiring	G69	Connection B with board wiring
G21b	Connection for front right door-wiring	G70	Connection C with board wiring
G22	Connection for front left door-locking motor	G71	Connection for warning lamp on instruments
G23a	Connection for front left door wiring	G72	Connection for seat back adjustment wiring
G23b	Connection for front left door wiring	G73	Connection for rear services
G24	Connection for rear right door-locking motor	G73a	Connection for rear right accessories
G25	Connection for rear right door wiring	G73b	Connection for rear left accessories
G26	Connection for rear left door-locking motor	G73c	Rear services connection (4-way)
G27	Connection for rear left door wiring	G73d	Rear services connection (4-way for Alfa Control)
G28	Connection between front right door wiring and power window switch	G74	Connection ALFA ROMEO Control Televel rear wiring
G28a	Connection between rear right door wiring and power window switch	G75	Connection between right and left roof panel services
G29	Connection between door-locking wiring and rear power windows	G76	Connection for roof panel - services - right side
G30	Connection for power windows and door lock	G77	Connection for roof panel services - left side
G31	Connection between front left door wiring and power window switch	G78	Connection for front door services wiring
G32	Connection between console wiring and rear right door wiring	G79	Connection for rear door services wiring
G33	Connection between console wiring and rear left door wiring	G80	Connection for board wiring
G34	Connection for power window supply cable	G81	Connection for front left seat back adjustment
G35	Connection between rear wiring and rear right side light wiring	G82	Connection for front right seat back adjustment
G36	Connection for power window switch cables	G83	Rear connector for fast idle device
G37	Connection for multi-switch, on steering column	G84	Console cable connector
G38	Connection for air conditioner wiring	G84a	Central panel 15-way cable connection
G39	Connection for clock wiring	G84b	Central panel 12-way cable connection
G40	Connection for door-locking control unit	G85	Front accessories connector
G41	Speedometer-rev counter sensor device connection	G86	Connection for passenger compartment roof lamp
G42	Connection between alternator and min engine oil pressure switch	G87	Connection for rear door-locking motors
G43	Connection for heater/ventilation control cables	G88	Connection for rear lights
G44	Connection for rear fog lamp	G89	Intermediate connection A
G45	Connection for headlight wash-wipe cables	G90	Intermediate connection B
G46	Connection for headlights	G91	Rear door sensors ground
G47	Connection for right-side repeater cables	G92	Luggage compartment ground
G48	Connection between electric door mirror and left-side repeater cables	G93	Windscreen frame upper cross member ground
G49	Connection available	G94	Engine compartment connector
G50	Presetting for loud speaker cables	G94a	10-way connection for engine compartment
G51	Presetting for car radio cables	G94b	8-way connection for engine compartment
G52	Fuse box ground	G94c	Engine compartment connection - right side
G53	Engine compartment ground	G94d	Engine compartment connection - left side
G53a	Engine compartment ground - right side	G95	Centralized fuse box
G53b	Engine compartment ground - left side	G95A	Connection for switches
G54	Passenger compartment ground	G95B	Connection for switches
G54a	Passenger compartment ground - right side	G95C	Connection for cluster warning lamps
G54b	Passenger compartment ground - left side	G95D	Connection for ALFA ROMEO Control
G55	Hood ledge panel ground	G95E	Connection for console
G56	Branch terminal board	G95F	Connection for fog light - rear fog light
G57	Presetting for fuel cut-off solenoid valve	G95G	Connection for combination switch
G58	Connection for cigar lighter	G95H	Connection for LH interface
G59	Connection for electric rear-view door mirror	G95I	Connection for RH interface
		G95L	Connection for clock - rheostats
		G95M	Connection for sunroof
		G95N	Connection for battery
		G95O	Connection for ignition switch
		G95P	Connection for door services
		G95Q	Connection for performance gauge
		G95R	Connection for heated rear window
		G95S	Connection for cluster
		G95V	Fuses
		G96	Single connector for ALFA ROMEO Control - cluster
		G97	Connection for left doors services
		G98	Connection for right doors services
		G99a	Connection for engine dashboard A
		G99b	Connection for engine dashboard B

KEY

G: FUSEBOX - CONNECTIONS - GROUNDS (Continued)

G99c	Connection for engine dashboard C	G156	Front-right door wiring - front-right door sensor connection
G99d	Connection for engine dashboard D	G157	Front-left door wiring - front-left door sensor connection
G99e	Connection for engine dashboard E	G158	Rear-right door wiring - rear-right door sensor connection
G100	Connection for console - doors wiring	G159	Rear-left door wiring - rear-left door sensor connection
G101	Trip Computer connection	G160	Front-right door wiring - ground lighting lamp connection
G102	Optoelectronic cluster connector	G161	Front-left door wiring - ground lighting lamp connection
G103	Connection for grounds to brake fluid tank	G162	Rear-right door wiring - ground lighting lamp connection
G104	Connection for roof panel left upright	G163	Rear-left door wiring - ground lighting lamp connection
G105	Connection for ashtray lamp	G164	Board wiring - conditioning unit wiring connection
G106	Seat grounds	G165	Door service wiring - conditioning unit wiring connection
G107	Connection for fuel pump	G166	Front door wiring - front right door wiring connection
G108	CEM wiring ground	G167	Front door wiring - rear right wiring connection
G109	Injection wiring connection	G168	Front door wiring - front right door wiring connection
G110	Thermostat wiring ground	G168a	Front door wiring and rear left door wiring one-way connection
G111	Connection for dashboard instruments wiring	G169	Front door wiring - rear left wiring connection
G112a	Connection A for roof wiring	G170	Board wiring - rear right wiring connection
G112b	Connection B for roof wiring	G171	Board wiring - rear left wiring connection
G112c	Connection C for roof wiring	G172	Door wiring - sunroof connection
G112d	Connection D for roof wiring	G173	Console wiring - front door wiring connection
G112e	Connection E for roof wiring	G174	Steering column support ground
G113	Connection for front left fender	G175	Board wiring - fog light wiring connection
G114	Connection for outside temperature sensor	G176	Roof panel ground
G115	Connection for tow bar vehicle socket	G177	Door service wiring - board wiring connection
G116	Connection for tow bar trailer plug	G178	Preset connection for seat height adjustment switch
G117	Connection for engine compartment lamp	G179	Rear left wiring - roof lamp wiring connection
G118	Connection for luggage compartment lamp	G180	Rear left wiring - front door wiring connection
G119	Courtesy mirror light connection	G181	Rear left wiring - rear console wiring connection
G120	Map light connection	G182	Console area ground
G121	Car electric system connection	G183	Rear console wiring - front right seat connection
G122	Ignition wiring connection	G184	Rear console wiring - front left seat connection
G123	Pedal-board ground	G185	Luggage compartment left-side ground
G124	ABS system connection	G186	Luggage compartment right-side ground
G125	ABS system fuse box	G187	Single connection in rear left wiring
G126	ABS system electromagnetic switch protection fuse	G188	Single connection in rear right wiring
G127	Recognition light fuse box	G189	Rear seat wiring - rear console wiring connection
G128	Transceiver fuse box	G190	Rear seat wiring connection
G129	Two-tone horn left-side engine compartment connection	G191	Rear left wiring - rear left door wiring connection
G130	Switch connection	G192	Preset connection for trailer stop signal
G131	Ground on upper cover	G193	Preset connection radio aerial
G132	Ground on manifold	G194	Rear left wiring - central side light wiring connection
G133a	Electronic ignition-injection connection wiring A	G195	Preset connection for rear left loud-speaker
G133b	Electronic ignition-injection connection wiring B	G196	Preset connection for rear right loud-speaker
G134	Front left upright connection	G197	Rear right wiring - rear right door wiring connection
G135	Rear window back-shelf wiring connection	G198	Rear right wiring - boot lid lock wiring connection
G136	Front side-marker intermediate connection	G199	Rear right door wiring connection
G137	Injection supply wiring connection	G200	Preset connection for radio headphones control unit
G138	Combination switch headlight unit connection	G201	Heated rear window fuse (30A)
G139	Interphone system control unit connection	G202	ABS System ground
G140	Fuel pump intermediate connection to service panel	G203	Rear right wiring - front door wiring connection
G141	Rear side-marker intermediate connection	G204	Front right sensor connection - ABS
G142	Engine service connections	G205	Front left sensor connection - ABS
G143	Service central compartment ground	G206	Rear right sensor connection - ABS
G144	Boot lid wiring connection	G207	Rear left sensor connection - ABS
G145	Intermediate connection for injection switch cables	G208	Front left power window connection
G146	Tachymeter connection	G209	Rear right wiring - rear console wiring connection
G147	Rev-counter sensor connection	G210	Door wiring - rear console wiring connection
G148	Under-dashboard ground	G211	Cluster intermediate connection for gearbox oil level signal
G149	Board wiring with engine compartment right-side wiring connection	G212	Cluster internal connection for ABS warning light signals and seat belts
G150	Board wiring with engine compartment left-side wiring connection	G213	Cluster internal connection for ABS warning light, seat belts and gearbox oil level
G150a	Additional wiring connection header with left-hand engine compartment wiring	G214	Instrument connection for ABS warning light signals and seat belts (CA)
G151	Board wiring with engine service compartment wiring connection	G215	Instrument internal connection for ABS warning light signals and seat belts
G152	Glow plug pre-heating timing fuse (50a)	G216	Preset connection for power window control unit
G153	Ground under diesel filter	G217	Preset connection for front left loud-speaker
G154	Engine wiring - board wiring connection	G218	Preset connection for front right loud-speaker
G155a	Right seat adjustment wiring connection	G219	Sunroof connection
G155b	Left seat adjustment wiring connection		

KEY

G: FUSEBOX - CONNECTIONS - GROUNDS (Continued)

- G220 Coil power module connection for rev-counter
- G221 Jumper connection for power window wiring
- G222 Cruise Control Actuator - Cruise Control CU connection
- G223 Preset connection for Cruise Control clutch push-button
- G224a Right passive seat belt wiring connection
- G224b Left passive seat belt wiring connection
- G225a Right passive seat belt control unit switch wiring connection
- G225b Left passive seat belt control unit switch wiring connection
- G226a Right passive seat belt wiring ground connection
- G226b Left passive seat belt wiring ground connection
- G227b Under-fender services wiring connection
- G228 Board wiring - cooling electric fan motor wiring connection
- G229 Starting signal and "Over-boost" warning light wiring connection
- G230 Ground on starting distributor bracket
- G231 Board wiring - automatic transmission wiring connection
- G232 Jumper connection preset for Motronic control unit (manual/automatic transmission versions)
- G233 Board wiring - automatic transmission gear-lever wiring connection
- G234 Interphone control unit connection A
- G235 Interphone control unit connection B
- G236 Interphone circuit panel connection A
- G237 Interphone circuit panel connection B
- G238 Board wiring - day-light lamps
- G239 Car radio/car telephone CU relay - 15A
- G240 Front seats relay - 20A
- G241 Board wiring - antitheft wiring connection
- G242 Board wiring Cruise Control wiring connection
- G243 Board wiring - rear cabinet wiring single connection
- G244 Board wiring - rear cabinet wiring connection
- G245 Rear - right antitheft wiring connection
- G246 Rear seat adjustment fuse 20A
- G247 Rear electric window fuse 30A
- G248 Antitheft wiring - rear right wiring connection
- G249 Antitheft wiring - cabinet wiring connection
- G250 Board wiring - C.A. right side engine wiring connections
- G251 Shock absorber connection clinching
- G252a Board wiring - rear right wiring for shock-absorber system connection
- G252b Board wiring - rear right wiring for shock-absorber system connection
- G252c Board wiring - rear right wiring for shock-absorber system connection
- G252d Board wiring - rear right wiring for shock-absorber system connection
- G253 Rear wiring - left wiring - climatization wiring connection
- G254 Engine electric fan fuse 40A
- G255 Climatization electric fan fuse 40A
- G256 Rear left wiring - antitheft connection
- G257 Interlock SHIFT CU fuse 10A
- G258 Antitheft fuse 15A
- G259a Automatic transmission clinching
- G259b Automatic transmission clinching
- G260 Front cabinet wiring - rear cabinet wiring connection
- G261 Sunroof fuses
- G262 Door locking - electric window clinching
- G263 Front electric windows clinching
- G264 Rear electric window enabling and closing crimping connection
- G265 Left-hand front under-mudguard wiring connection
- G265a Front right-hand wiring connector under wheel housing (3-way)
- G265b Front right-hand wiring connector under wheel housing (2-way)
- G266 Boot hatch ground
- G267 Engine block ground
- G268 Heated seats and handbrake switch-door locks wiring connection
- G269 Glovebox compartment light connection
- G270a Dashboard wiring - four-wheel drive wiring (four-way) connection
- G270b Dashboard wiring - four-wheel drive wiring (six-way) connection
- G271 Electric fan operation check connection
- G272 ABS hydraulic group connection
- G273 ABS control unit connection
- G275 ABS hydraulic group ground connection
- G276 Four-wheel drive intermediate wiring connection
- G277 Intermediate Alfa Romeo Control unit - instrument connector
- G278 Brake pad wear sensor connector
- G279 Brake fluid reservoir switch connector
- G280 Radio intermediate wiring connector
- G281 Free connector for luggage compartment light
- G282 Earth on front tunnel
- G283 Earth on left service compartment
- G284A Rear right passenger compartment paneling earth
- G284B Rear left passenger compartment paneling earth
- G285 Provision for anti-theft system connector
- G286 Dash wiring - door wiring four-way connection
- G287 Injection wiring - engine coolant temperature sensor wiring connection
- G288 Injection wiring evaporation solenoid valve wiring connection
- G289 Connection for front right-hand speaker - high tones
- G290 Connection for front right-hand speaker - low tones
- G291 Connection for front left-hand speaker - high tones
- G292 Connection for front left-hand speaker - low tones
- G293 Connection between engine services wiring - engine compartment wiring - left-hand side
- G294 Earth on intake manifold
- G295 Rear console wiring - driver's side seat memory wiring connection
- G296 Memory wiring - driver's side longitudinal seat regulation motor wiring connection
- G297a Memory wiring - driver's side seat control panel wiring connection
- G297b Memory wiring - driver's seat control panel wiring connection
- G297c Memory wiring - driver's seat control panel wiring connection
- G298 Memory wiring - driver's seat lumbar and back regulation wiring connection
- G299a Front left-hand seat control pad relay unit - control pad wiring connection
- G299b Front right-hand seat control pad relay unit - control pad wiring connection
- G300 Front left-hand seat warming pad clinching
- G301 Front right-hand seat warming pad clinching
- G302 Driver's seat earth cable clinching
- G303 Control pad wiring - driver's seat lumbar support and back regulation wiring connection
- G304 Injection wiring intermediate clinching
- G305 Electric seats and rear power window connection
- G306 Right-hand engine wiring/engine wiring connection
- G307 Luggage compartment/rear wiring connection
- G308 Connector for engine sensors
- G309a Controlled damping suspension system A
- G309b Controlled damping suspension system A
- G310 Front right-hand power window fuse
- G311 Front left-hand power window fuse
- G312 Fuse for headlight washers
- G313 Air conditioner supplementary wiring connection
- G314a Engine wiring/air conditioner A wiring connection
- G314b Engine wiring/air conditioner B wiring connection
- G315a Left-hand seat regulation motor connection
- G315b Right-hand seat regulation motor connection
- G316 Engine r.p.m. and timing sensor sheath earth
- G317 Engine - injection wiring rev counter connection
- G318 Earth on gearbox
- G319 Engine oil level wiring - engine services wiring connection
- G320 Rear speaker cable connection

KEY

G: FUSEBOX - CONNECTIONS - GROUNDS (Continued)

G321a	Air conditioner control wiring - microswitch wiring connection (6-way)
G321b	Air conditioner control wiring - microswitch wiring connection (3-way)
G322	Air conditioner control wiring - dashboard wiring connection
G323	Air conditioner control wiring - electric fan wiring for condensers connection
G324	Left-hand seat warming pad spiral cable - heated seats ns door locks wiring connection
G325	Right-hand seat warming pad spiral cable - heated seats ns door locks wiring connection
G326	Dashboard wiring - front foglight/headlight washer wiring connection
G327	Speedometer sensor connection
G328	Dashboard wiring - rooflight wiring connection
G329	Dashboard wiring - injection wiring connection
G330	Injection wiring - electric fan wiring for condensers connection
G331	Ultrasound soldering connection
G332	Alternator connection for recharging signal
G333	DIM-DIP fuse
G334	Fuel level sender connection
G335	Engine services with E.G.R. valve power supply clinching

H: SWITCHES

H1	Handbrake switch
H2	Reversing light switch
H3	Stop light switch
H4	Courtesy light switch on passenger compartment upright
H5	Front left door open indicator switch
H6	Front right door open indicator switch
H7	Rear left door open indicator switch
H8	Rear right door open indicator switch
H9	Front right brake pad switch
H10	Front left brake pad switch
H11	Rear right brake pad switch
H12	Rear left brake pad switch
H13	Choke switch
H14	Injection advance switch
H15	Gearbox oil low level switch (magnetic bulb)
H16	Starting and reverse inhibitor switch
H17	Brake fluid minimum level check switch
H18	Fast-idle switch in gearbox
H19	Low fuel pressure switch
H20	Inertia switch
H21	Clutch pedal fast-idle switch
H22	Ignition microswitch
H23	Engine compartment lamp switch
H24	Luggage compartment lamp switch
H25	Glovebox light switch
H26	Contact/switch on rear door for rear window wiper
H27	Contact/switch on rear door for heated rear window
H28	Carburetor contact/switch
H29	Switch for rear drive engagement warning lamp
H30	Load switch
H31	Switch for idle r.p.m. adjusting screw on carburetor
H32	Microswitch on carburetor for inserting timing variator
H33	Number plate contact/switch
H34	ABS System brake fluid tank switch
H35	Fuel pre-heating filter thermal switch
H36	Diesel post-heating microswitch
H37	Clutch pedal switch
H38	Rear right seat microswitch
H39	Rear left seat microswitch
H40	Rear right door inhibitor switch for rear seats
H41	Rear left door inhibitor switch for rear seats
H42	Accelerator throttle valve maximum opening switch
H43	Door-locking engaged signalling microswitch

H44	Engine hood antitheft device switch
H45	Cruise Control clutch and brake switch
H46	Gearbox switch for controlled damping suspension shock-absorber
H47	Engine throttle microswitch for controlled damping suspension shock-absorber
H48	Left-hand door switch for electric windows - sunroof automatic closing
H49	Auxiliary stop lights switch
H50	Seat end-run switch
H51	Sunroof stop limit switch

I: RELAYS

I1	Engine cooling electric fan relay
I2	Heated rear window relay
I3	Horn relay
I4	Headlight wiper relay
I5	Auxiliary relay for headlight wiper timer
I6	Fast-idle relay
I7	Fuel hose closing relay
I8	Relay excluding retarded rotor arm
I9	Glow plug relay
I10	Choke inhibitor relay
I11	Front power window and seat raising relay
I12	Front power window relay
I13	Rear power window relay
I14	Brake fluid automatic warning light control relay
I15	Low fuel pressure warning light relay
I16	Headlight relay
I17	Fog light relay
I18	Double contact relay
I19	Headlight washer pump relay
I20	Beam change over relay
I21	Full beam exclusion relay
I22	Low beam exclusion relay
I23	Supplementary engine cooling electric fan relay
I24	Direction and hazard lights relay
I25	Rear fog light relay
I26	Roof lamp relay
I27	Seat height adjustment relay
I28	Hazard lights relay
I29	Fuel pump relay
I30	Relay with CEM diode
I31	Front power window/climatisation relay
I32	Advance variation control unit relay
I33	Carburetor microswitch relay
I34	Rear fog light exclusion relay
I35	Key-operated supply relay
I36	Relay for brake wear and fluid level
I37	ABS System control unit relay
I38	ABS System auxiliary relay
I39	Brake fluid level warning light relay
I40	ABS System brake fluid electric pump relay
I41	Two-tone hooter, horn relay
I42	Two-tone hooter relay
I43	Inspection light relay
I44	Fuel pre-heating device relay
I45	Outer mirror defrosting relay
I46	Siren relay
I47	Engine oil cooler electric fan relay
I48	Instrument and AR control ignition key-controlled relay
I49	Low-beam light relay
I50	High-beam light relay
I51	Electronic control unit power supply relay
I52	Boot lid opening relay
I53	Fuel filter cap opening relay
I54	Rear right seat relay

KEY

I: RELAYS (Continued)

I55	Rear left seat relay
I56	Rear seat inhibitor relay
I57	ABS System electronic relay
I58	Sunroof - seat relay
I59	"OFF", "RESUME" Cruise Control switch auxiliary relay
I60	Outer mirror defrosting relay
I61	Petrol vapour motor pump relay
I62	Gear engaged signal relay (automatic transmission) for MOTRONIC control unit
I63	Oil radiator electric fan - automatic transmission relay
I64	Position light relay
I65	Foglight inhibitor relay
I66	Day-light insertion relay
I67	Day-light exclusion relay
I68	Water cooling auxiliary electric fan relay
I69	Stop switch relay
I70	Radio relay
I71	20 relay for shock-absorber
I72	Brake fluid tank relay
I73	Front electric window - door-locking relay
I74	Rear electric window - sunroof relay
I75	Electric window - sunroof closing relay
I76	Four-wheel drive supply relay
I77	Seres/parallel relay (for cooling electric fans)
I78	Relay for heater blower 50A
I79	Supplementary relay for fog lamps
I80	Seat longitudinal end-run locking relay
I81	Brake pad wear relay
I82	Headlight flashing relay
I83	Relay for electric aerial
I84	Automatic closure relay
I85	Driver's seat memory relay
I86	Relay for driver's seat memory recall stop
I87	Front left-hand seat warming pad relay
I88	Front right-hand seat warming pad relay
I89	Rear foglight permit and front foglight exclusion relay
I90	DIM-DIP exclusion relay
I91	DIM-DIP cut-in relay
I92	K.S.B. relay

L: SENSORS

L1	Low fuel pressure switch
L2	Low oil pressure switch
L3	Max air pressure switch
L4	Thermal switch for engine cooling electromagnetic coupling
L5	Thermal switch for engine coolant max temperature
L6	Thermal switch for engine cooling electric fan
L7	Engine coolant temperature gauge sender
L8	Oil pressure gauge sender
L9	Fuel level gauge sender
L10	Sender for engine coolant temperature gauge and max temperature warning lamp contact
L11	Retarded rotor arm cut-out pressure switch
L12	Engine oil level sensor
L13	Windscreen washing liquid level sensor
L14	Engine coolant level sensor
L15	Fuel flow sensor
L16	Rev-counter pulse generator
L17	Speedometer pulse generator
L18	Load sender
L19	External temperature sensor
L20	Photoelectric cell
L21	Pierburg solenoid valve regulating the supercharging pressure

L22	Knocking sensor
L23	Potentiometer
L24	Engine coolant temperature sensor for ignition advance adjustment
L25	Thermal switch for engine coolant temperature
L26	Vacuum sensor
L27	Temperature sensor
L28	Front right brake sensor
L29	Front left brake sensor
L30	Rear right brake sensor
L31	Rear left brake sensor
L32	Turbo supercharger air pressure sensor sender
L33	Two-stage thermal contact
L34	Boot lid opened contact
L35	Thermometric switch
L36	Turbo supercharger maximum pressure safety sensor
L37	T.D.C. sensor
L38	Thermal switch for oil radiator electric fan - automatic transmission
L39	Automatic transmission oil maximum temperature sensor
L40	Steering angle sensor
L41	Oil pressure switch for controlled damping suspension shock-absorber
L42	Tooth mesh control sensor
L43	Oil pressure switch for vehicle lift warning light
L44	Engine oil temperature sender
L45	K.S.B. water temperature sender
L46	E.G.R. control solenoid valve
L47	E.G.R. valve potentiometer

M: SOLENOIDS - SOLENOID VALVES

M1	Fuel cut-off solenoid valve
M2	Injection pump solenoid valve
M3	Solenoid with injection pump fuel cut-off microswitch
M4	Fast-idle solenoid
M5	Engine stop solenoid
M6	Fuel pipe closing electromagnet
M7	Door opening/closing electromagnet
M8	Auxiliary air solenoid valve compressor actuation
M9	Pierburg solenoid valve (for idle r.p.m.)
M10	Brake fluid adjusting valve
M11	ABS System main valve
M12	Boot lid opening solenoid
M13	Fuel filter cap opening solenoid
M14	Cruise Control actuator
M15	Emission control solenoid valve
M16	Over-boost solenoid valve
M17	Front right shock-absorber solenoid valve
M18	Front left shock-absorber solenoid valve
M19	Rear right shock-absorber solenoid valve
M20	Rear left shock-absorber solenoid valve
M21	Automatic transmission unit solenoid
M22	Four-wheel drive electromagnetic coupling

N: ELECTRONIC DEVICES - INTERMITTENCES - TIMERS

N1	Electronic ignition module
N1a	Electronic ignition module A
N1b	Electronic ignition module B
N2	Connector for Marelli module
N3	Capacitor for electronic ignition
N4	Connector for Bosch module
N5	Tachymetric switch device
N6	Pre-heating glow plug timer
N7	Trip Computer
N8	ALFA ROMEO Control
N9	Brake pad wear control unit

KEY

N: ELECTRONIC DEVICES - INTERMITTENCES - TIMERS
(Continued)

- N10 Roof lamp timer
- N11 Door-locking control unit
- N12 Headlight wiper timer
- N13 Road hazard and direction indicators intermittence
- N14 Electronic windscreen wiper intermittence
- N15 Electronic windscreen wiper intermittence and warning light control
- N16 Tachymetric control unit
- N17 Trip control unit for fuel flow
- N18 Electronic device for headlights flashing
- N19 Performance gauge control unit
- N20 Advance variation control unit
- N21 Power module
- N22 ALFA ROMEO Control control unit
- N23 Ignition control unit
- N24 Pulse converter
- N25 Rear fog-light device
- N26 Brake pad wear warning light intermittence device
- N27 ABS System control unit
- N28 ABS System brake fluid electric pump device
- N29 Diode holder connection
- N29a A diode connection
- N29b B diode holder connection
- N30 Two-tone hooter control unit
- N31 Fuel pre-heating device
- N32 Head-phone connection control unit
- N33 Differentiated rear window defrosting control unit
- N34 Control unit for pulse generator
- N35 Coding control unit
- N36 Interphone system control unit
- N37 Petrol vapour intake pump timer
- N38 Power window control unit
- N39 Cruise Control unit
- N40 DIM DIP electronic device
- N41 Lights on signalling control unit
- N42 Dimmer for door-locking actuated signalling LED
- N43 Automatic transmission locking/unlocking control unit
- N44 Rear lights control unit
- N45 Antitheft control unit
- N46 Shock-absorber electronic control unit
- N47 Accelerometer
- N48 Radiotelephone control unit
- N49 Aerial - Heated rear window control unit
- N50 Four-wheel drive control unit
- N51 Hydraulic group with ABS control unit
- N52 CROSS-OVER control unit (radio system)
- N53 Antijamming condenser radio boot panel 4.7 μ F
- N54 Right radio loudspeaker antijamming condenser 4.7 μ F
- N55 Left radio loudspeaker antijamming condenser 4.7 μ F
- N56 Supplementary fusebox radio antijamming condenser 22 μ F
- N57 Radio relay protection diode
- N58 Driver's seat memory control unit
- N59 Control unit
- N60 Sunroof control unit
- N61 Shock absorber control unit condenser
- N62 ABS system - longitudinal accelerometer
- N63 ABS system - transversal accelerometer
- N64 Instrument panel warning light timer
- N65 E.G.R. control unit
- N66 Brake light radio anti-interference condenser
- N67 Door lock remote control signal receiver

O: ANCILLARY EQUIPMENT

- O1 Heated rear window

- O2 Horn
- O3 Electrically-operated aerial
- O4 Car radio
- O5 Speaker
- O6 Cigar lighter
- O7 Rear cigar lighter
- O8 Two-tone hooter
- O9 Transceiver
- O10 Rear headphone
- O11 Siren
- O12 External loudspeaker-microphone
- O13 Internal loudspeaker-microphone
- O14 Driver's seat warming pad
- O15 Rear right seat warming pad
- O16 Rear left seat warming pad
- O17 Front right seat warming pad
- O18 Right door rear-view mirror defroster
- O19 Left door rear-view mirror defroster
- O20 External right microphone
- O21 External left microphone
- O22 Engine electric fan supplementary resistance
- O23 Antitheft siren
- O24 Radiotelephone
- O25 Windscreen defroster
- O26 Front left-hand seat warming pad
- O27 K.S.B. device
- O28 DIM-DIP resistance

P: ELECTRIC MOTORS

- P1 Windscreen wiper motor
- P2 Engine cooling electric fan motor
- P3 Engine cooling electric fan electromagnetic drive
- P4 Headlight wiper motor
- P5 Front left seat adjustment motor
- P6 Front right backrest adjustment motor
- P7 Front left backrest adjustment motor
- P8 Motor for electric door rear-view mirror - left-side
- P9 Motor for electric door rear-view mirror - right-side
- P10 Front right door locking motor
- P11 Front left door locking motor
- P12 Rear right door locking motor
- P13 Rear left door locking motor
- P14 Front right power window motor
- P15 Front left power window motor
- P16 Rear right power window motor
- P17 Rear left power window motor
- P18a Main fuel electric pump
- P18b Auxiliary fuel electric pump
- P19 Windscreen washer pump
- P20 Headlight washer pump
- P21 Rear window wiper motor
- P22 Rear window washer electric pump motor
- P23 Supplementary engine cooling electric fan motor
- P24 Sunroof motor
- P25 Engine oil radiator electric fan
- P26 Petrol vapour intake electric pump motor
- P27 Windscreen wiper motor with control unit
- P28 Front right seat longitudinal adjusting motor
- P29 Front left seat longitudinal adjusting motor
- P30 Front right seat adjusting motor
- P32 Rear right seat motor
- P33 Rear left seat motor
- P34 Oil radiator electric fan - automatic transmission
- P35a Right-hand headlight adjustment motor
- P35b Left-hand headlight adjustment motor
- P36 Vehicle lift pump motor
- P37 Right-hand front seat rear tilt regulation motor
- P38 Left-hand front seat rear tilt regulation motor
- P39 Right-hand front seat front tilt regulation motor
- P40 Left-hand front seat front tilt regulation motor

KEY

P: ELECTRIC MOTORS (Continued)

- P41 Front right-hand seat lumbar support regulation
P42 Front left-hand seat lumbar support regulation

Q: HEAT/VENT - AIR CONDITIONING SYSTEM

- Q1 Heater/ventilation electric fan
Q2 Pneumatic push-button control for air conditioning
Q3 Pneumatic push-button control for climatization
Q4 Heater/ventilation electric fan control
Q5 Heater blower fan speed adjustment resistance
Q6 Switch on flap for heater blower fan
Q7 Fluid thermostat
Q8 Electromagnetic coupling pressure switch
Q9 Minimum pressure switch
Q10 Maximum pressure switch
Q11 Compressor electromagnetic coupling
Q12 Thermostat exclusion of compressor electromagnetic coupling
Q13 Supplementary conditioner fan
Q14 Relay for supplementary conditioner fan and electromagnetic compressor coupling
Q15 Heater/ventilation electric fan relay
Q16 Relay for simultaneous control of engine cooling electric fan and supplementary electric fan
Q17 Relay for simultaneous coupling and supplementary electric fan
Q18 Heater
Q19 Conditioner
Q20 Min and max pressure switch (Trinary)
Q21A Automatic control check unit
Q21B Manual control check unit
Q22 Electromagnetic coupling control relay
Q23 Internal temperature sensor for climatization
Q24 External temperature sensor for climatization
Q25 Mixed air temperature sensor for climatization
Q26 Defrosting thermostat
Q27 Air recirculation vent control motor
Q28 Ventilation motor for internal temperature sensor
Q29 Climatization system branch point
Q30 Air mixture and vent controls
Q30A Air distribution motor to vents
Q30B Cold/hot mixing motor
Q31 Climatization unit fan speed adjuster
Q32 Climatization auxiliary relay
Q33 Passenger compartment internal temperature motor with sensor
Q34 Conditioner temperature control potentiometer
Q35 Free fuse for conditioning system
Q36 Conditioning system earth
Q37 Passenger compartment supplementary air conditioning fan
Q38 Passenger compartment supplementary fan control for heating
Q39 Air conditioning system wander fuse - 30A
Q40 Air conditioning system wander fuse - 15A
Q41 Air conditioning system relay and fuse unit
Q42 Air conditioning fan delay device
Q43 Air conditioning system wander fuse - 50A
Q44 Water by-pass electronic actuator
Q45 Electric by-pass cock control microswitches
Q46 External/recirculation air intake electric actuator
Q47 Dynamic air intake actuator control microswitches
Q48 Air-to-floor electric actuator
Q49 Air-to-floor electric actuator control microswitches
Q50 Recirculation and 1st speed of electric fan microswitches
Q51 Control potentiometer with switch
Q52 Fan for right-hand condenser
Q53 Fan for left-hand condenser
Q54 Fan control relay for right-hand condenser

- Q55 Electric fan and compressor electromagnetic coupling simultaneous control relay for left-hand condenser
Q56 Relay for heater/air conditioner
Q57 Electric fan speed selector relay
Q58 Electronic thermostat control unit
Q59 Electronic thermostat temperature sensor

R: SAFETY DEVICES

- R1 Seat belt device
R2 Catalytic converter temperature indicator
R3 Thermocouple for catalytic converter temperature detection
R4 Unfastened seat belt buzzer
R5 Open door buzzer
R6 Mileometer
R7 Seat belt warning lamp
R8 30,000 mile warning lamp
R9 Push-button switch on seat belts
R10 Catalytic converter maximum temperature warning light
R11 Front left door switch for seat belt device
R12a Right-side passive seat belt control unit
R12b Left-side passive seat belt control unit
R13a Right-side passive seat belt motor
R13b Left-side passive seat belt motor
R14a Right-side seat belt winder locking mechanism
R14b Left-side seat belt winder locking mechanism
R15 Passive seat belt-unfastened buzzer
R16a Right-side passive seat belt warning light
R16b Left-side passive seat belt warning light
R17a Right-side passive seat belt-unfastened switch
R17b Left-side passive seat belt-unfastened switch
R18a Right-side passive seat belt switch set to position "A"
R18b Left-side passive seat belt switch set to position "A"
R19a Right-side passive seat belt switch set to position "B"
R19b Left-side passive seat belt switch set to position "B"
R20 AIR-BAG front - right sensor
R21 AIR-BAG front - left sensor
R22 AIR-BAG control unit
R23 Steering wheel inflation module for AIR-BAG
R24 Key-inserted and unfastened safety belt signalling buzzer
R25 Safety belt inserted hook sensor

S: ELECTRONIC FUEL INJECTION

- S1 Injection control unit
S2 Double relay
S3 Electroinjectors
S4 Cold start electroinjector
S5 Air flow meter
S6 Accelerator throttle body switch
S7 Engine coolant temperature sensor
S8 Thermo-time switch
S9 Auxiliary air valve
S10 Lambda probe
S11 Motronic control unit
S12 Motronic relay
S12a Petrol pump Motronic relay
S12b Motronic relay with diode
S12c Timing variator Motronic relay
S12d Auxiliary Motronic relay
S13 Timing sensor
S14 Rev sensor
S15 Timing variator
S16 Altitude air regulator
S17 CEM control unit
S17a CEM control unit white connector
S17b CEM control unit black connector
S18 Throttle angle sensor
S19 Hall sensor

KEY

S: ELECTRONIC FUEL INJECTION (Continued)

S20	Deton sensor
S21	Throttle actuator
S22	Electroinjector terminal
S23	Electroinjector resistance
S24	Electroinjector terminal board
S25	Automatic transmission/manual transmission switch connector
S26	Injector system
S27	Lambda probe resistance
S28	Injection control relay
S29	Idle adjusting actuator
S30	Motronic control unit switch connector
S31	Rev and timing sensor
S32	Lambda probe coding connector
S33	Full load enrichment device
S34	Available
S35	Heated Lambda probe
S36	Free fuse for Auxilliary Motronic relay
S37	4x2 - 4x4 switching connector
S38	Sensor on throttle body with potentiometer
S39	Cylinder No. 1 recognition sensor
S40	Ignition/injection control unit
S41	Main relay
S42	Secondary relay
S43	Absolute pressure sensor
S44	Throttle angle potentiometer
S45	Lambda probe wander fuse
S46	Motronic power supply wander fuse
S47	Fuel pump wander fuse
S48	"CO" regulation potentiometer
S49	MP3.1 control unit switch connector for 1.5 IE and 1.7 IE engines

T: DIAGNOSIS

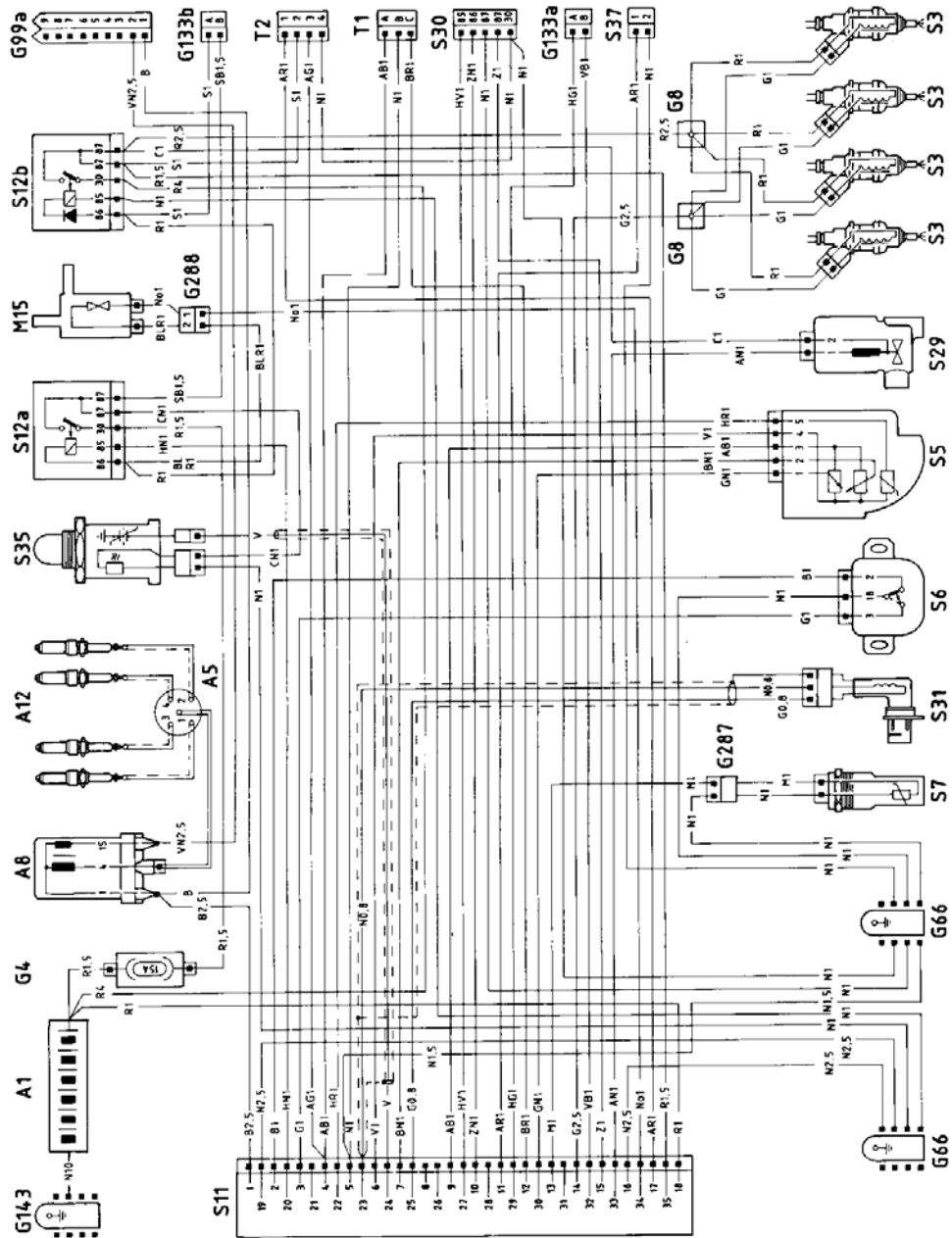
T1	Alfa Tester connector
T2	"Flashing code" diagnosis connector
T3	AIR-BAG diagnosis connector
T4	Diagnosis indicator light push-button
T5	Controlled damping suspension electric system diagnosis coupling

ELECTRICAL SYSTEM

IGNITION INJECTION MOTRONIC ML4.1 (Diagram A)

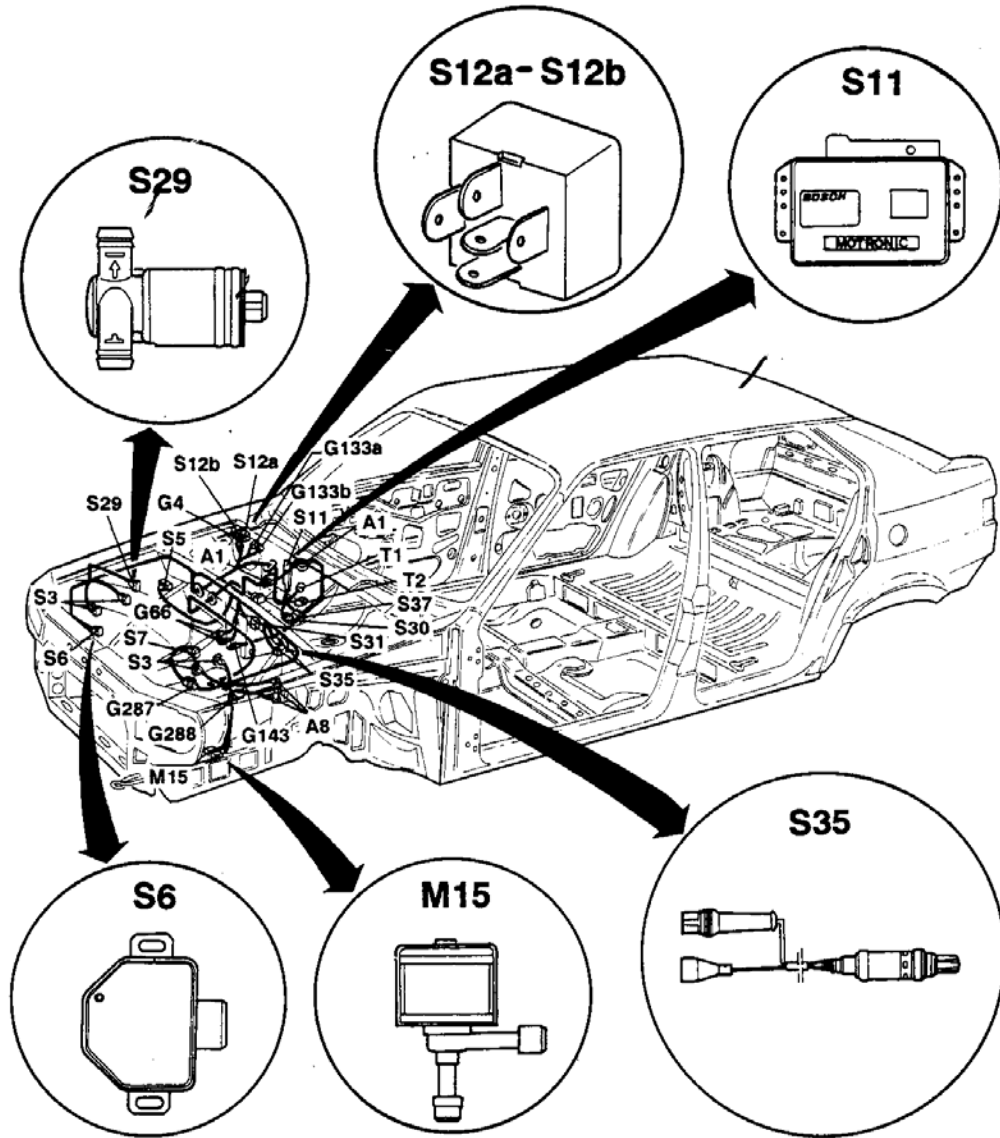
33 Boxer 16V (with catalytic converter)

Wiring diagram



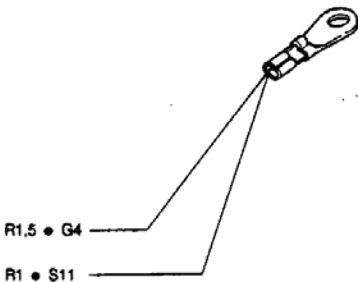
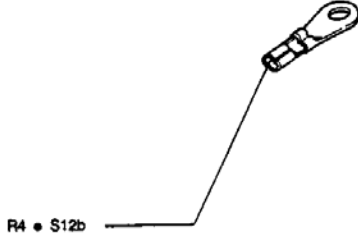
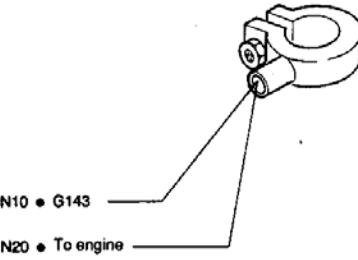
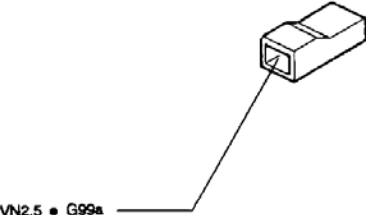
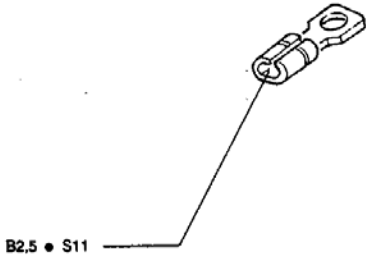
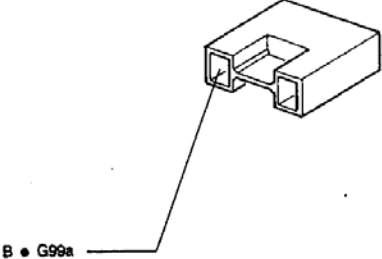
ELECTRICAL SYSTEM

Wiring

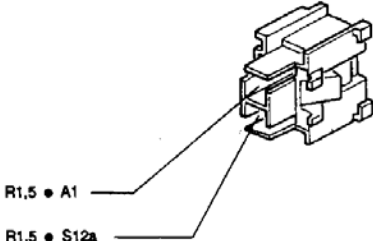
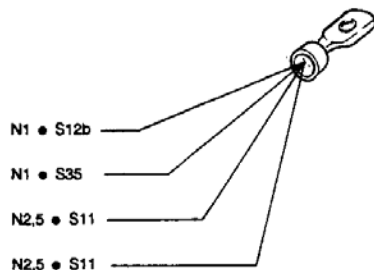
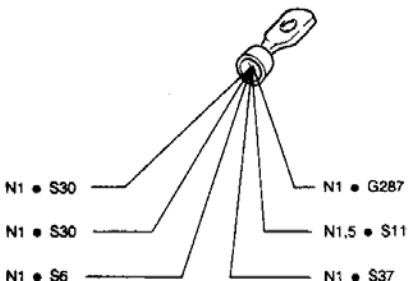
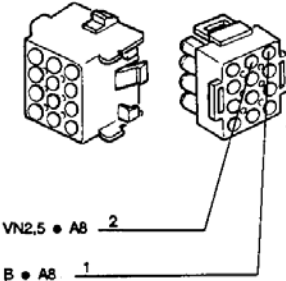
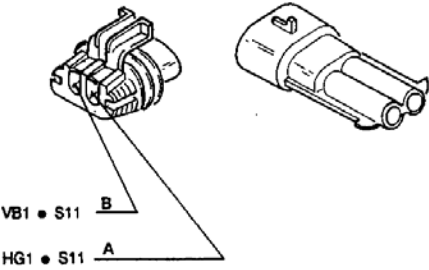
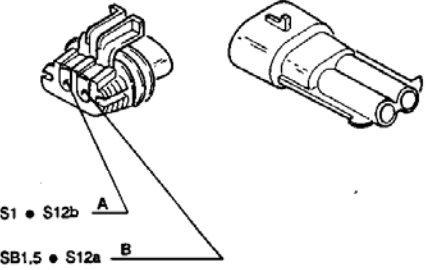


ELECTRICAL SYSTEM

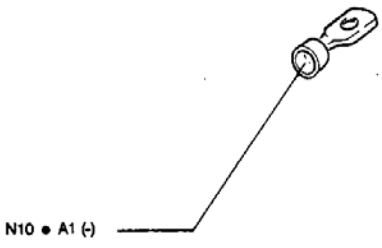
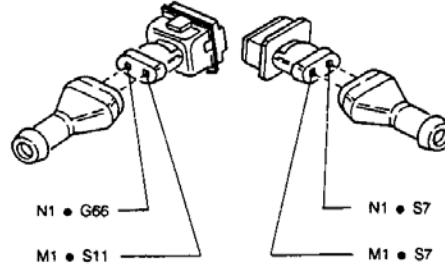
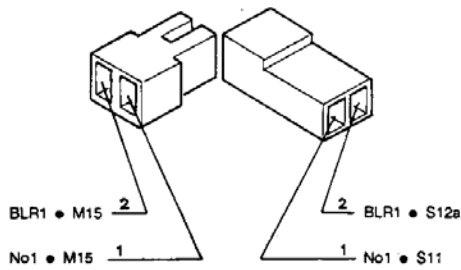
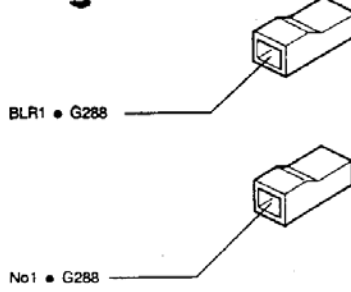
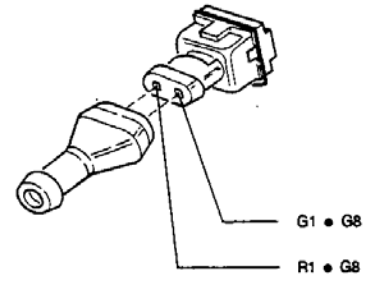
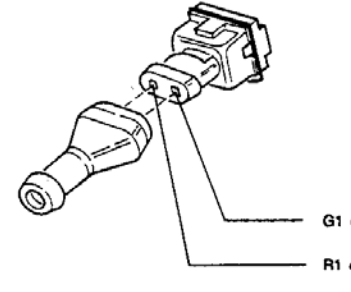
Connectors

Battery (+)	A1	Battery (+)	A1
 <p>R1.5 • G4 R1 • S11</p> <p>33.90.014</p>	 <p>R4 • S12b</p> <p>33.90.014</p>	Battery (-)	A1
 <p>N10 • G143 N20 • To engine</p> <p>33.90.002</p>	 <p>VN2.5 • G99a</p> <p>33.90.015</p>	Ignition coil (1)	A8
 <p>B2.5 • S11</p> <p>33.90.045</p>	 <p>B • G99a</p> <p>33.90.052</p>		

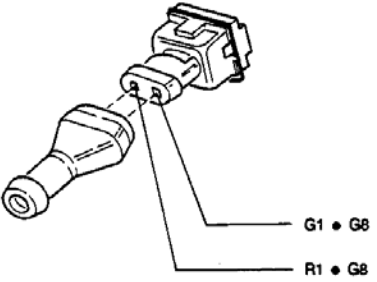
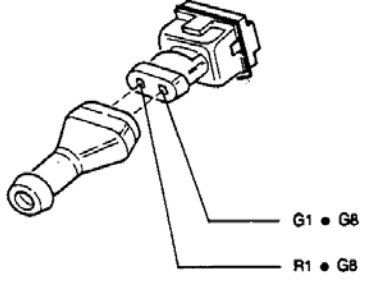
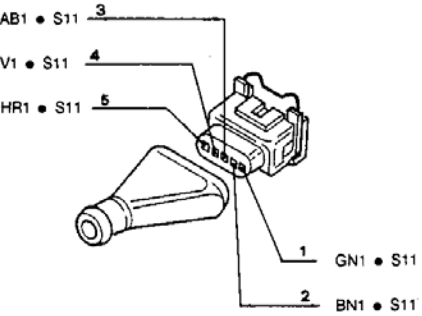
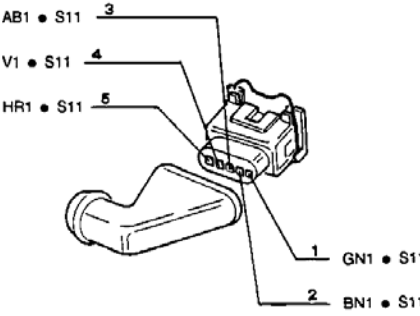
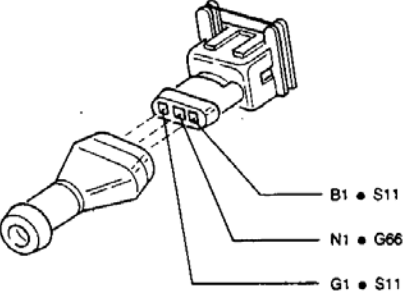
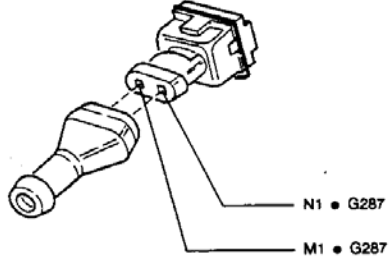
ELECTRICAL SYSTEM

Free Fuse	G4	Motronic wiring earth	G66
 <p>R1,5 • A1</p> <p>R1,5 • S12a</p> <p>33.90.046</p>		 <p>N1 • S12b</p> <p>N1 • S35</p> <p>N2,5 • S11</p> <p>N2,5 • S11</p> <p>33.90.001</p>	
Motronic wiring earth	G66	Connector for engine dashboard A	G99a
 <p>N1 • S30</p> <p>N1 • S30</p> <p>N1 • S6</p> <p>N1 • G287</p> <p>N1,5 • S11</p> <p>N1 • S37</p> <p>33.90.001</p>		 <p>VN2,5 • A8 2</p> <p>B • A8 1</p> <p>33.90.016</p>	
Ignition - electronic injection A wiring connection	G133a	Ignition - electronic injection B wiring connection	G133b
 <p>VB1 • S11 B</p> <p>HG1 • S11 A</p> <p>33.90.055</p>		 <p>S1 • S12b A</p> <p>SB1,5 • S12a B</p> <p>33.90.055</p>	

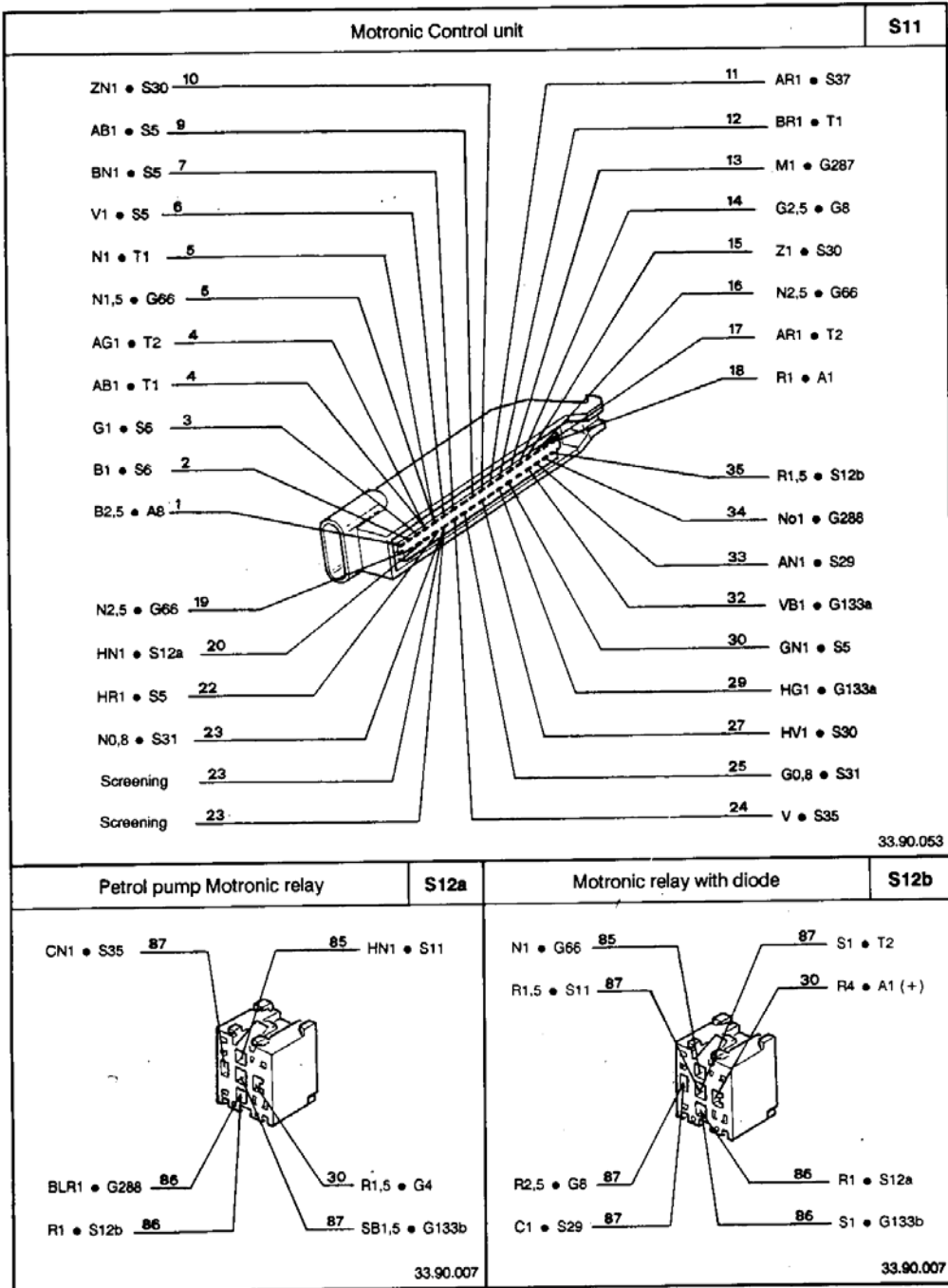
ELECTRICAL SYSTEM

<p align="center">Central service compartment earth</p>	<p align="center">G143</p>	<p align="center">Injection wiring - engine coolant temperature sensor wiring connection</p>	<p align="center">G287</p>
 <p>N10 • A1 (-)</p> <p align="right">33.90.001</p>	 <p>N1 • G66 M1 • S11</p> <p>N1 • S7 M1 • S7</p> <p align="right">33.90.077</p>		
<p align="center">Injection wiring evaporation solenoid valve wiring connection</p>	<p align="center">G288</p>	<p align="center">Evaporation solenoid valve</p>	<p align="center">M15</p>
 <p>BLR1 • M15 2 No1 • M15 1</p> <p>BLR1 • S12a 2 No1 • S11 1</p> <p align="right">33.90.013</p>	 <p>BLR1 • G288</p> <p>No1 • G288</p> <p align="right">33.90.015</p>		
<p align="center">Electroinjector 1</p>	<p align="center">S3</p>	<p align="center">Electroinjector 2</p>	<p align="center">S3</p>
 <p>G1 • G8 R1 • G8</p> <p align="right">33.90.047</p>	 <p>G1 • G8 R1 • G8</p> <p align="right">33.90.047</p>		

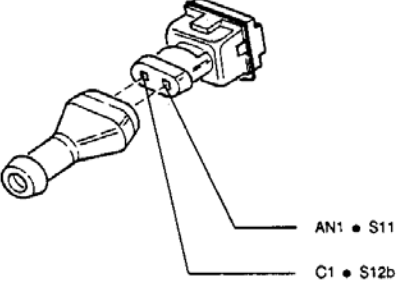
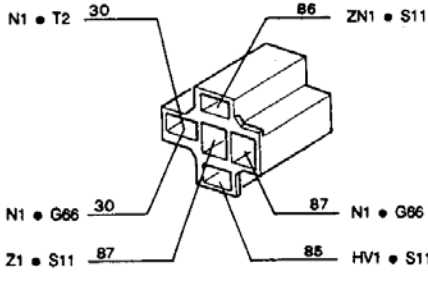
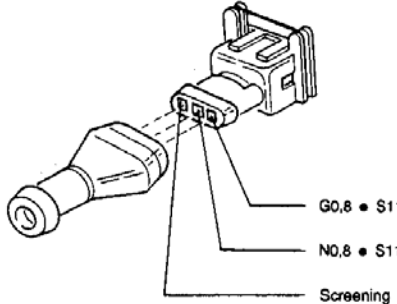
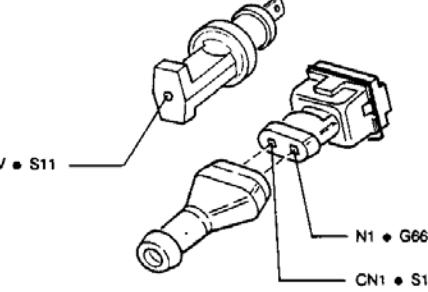
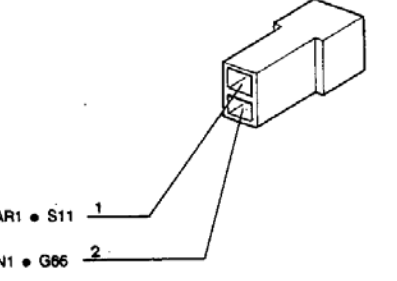
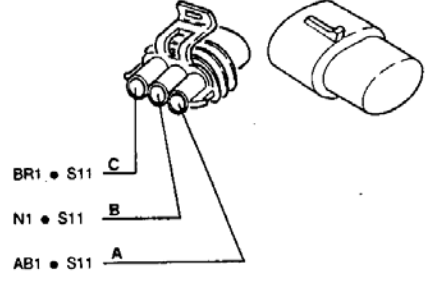
ELECTRICAL SYSTEM

Electroinjector 3	S3	Electroinjector 4	S3
 <p>G1 • G8 R1 • G8</p> <p>33.90.047</p>		 <p>G1 • G8 R1 • G8</p> <p>33.90.047</p>	
Air flow gauge (before modification)	S5	Air flow gauge (after modification)	S5
 <p>AB1 • S11 3 V1 • S11 4 HR1 • S11 5</p> <p>1 GN1 • S11 2 BN1 • S11</p> <p>33.90.050</p>		 <p>AB1 • S11 3 V1 • S11 4 HR1 • S11 5</p> <p>1 GN1 • S11 2 BN1 • S11</p> <p>33.90.048</p>	
Accelerator butterfly switch	S6	Engine coolant temperature sensor	S7
 <p>B1 • S11 N1 • G66 G1 • S11</p> <p>33.90.049</p>		 <p>N1 • G287 M1 • G287</p> <p>33.90.047</p>	

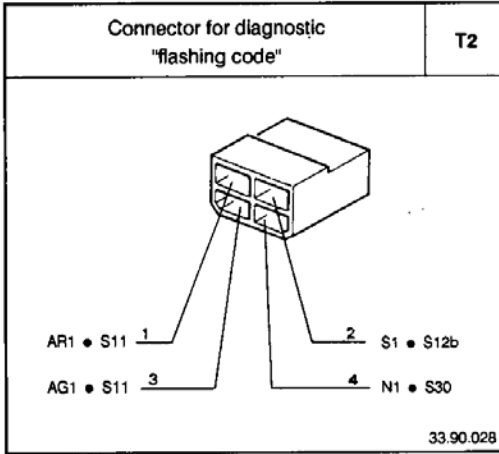
ELECTRICAL SYSTEM



ELECTRICAL SYSTEM

<p>Idle adjusting actuator</p> <p>S29</p>  <p>AN1 • S11 C1 • S12b</p> <p>33.90.047</p>	<p>Motronic control unit switch connector</p> <p>S30</p>  <p>N1 • T2 30 N1 • G66 30 Z1 • S11 87 86 ZN1 • S11 87 N1 • G66 85 HV1 • S11</p> <p>33.90.023</p>
<p>Revolution and timing sensor</p> <p>S31</p>  <p>G0,8 • S11 N0,8 • S11 Screening</p> <p>33.90.049</p>	<p>Heated Lambda probe</p> <p>S35</p>  <p>V • S11 N1 • G66 CN1 • S12a</p> <p>33.90.047 - 33.90.051</p>
<p>4 x 2 / 4 x 4 switching connector</p> <p>S37</p>  <p>AR1 • S11 1 N1 • G66 2</p> <p>33.90.043</p>	<p>Connector for Alfa Tester</p> <p>T1</p>  <p>BR1 • S11 C N1 • S11 B AB1 • S11 A</p> <p>33.90.040 - 33.90.029</p>

ELECTRICAL SYSTEM



INTRODUCTION

IDENTIFICATION OF COMPONENTS

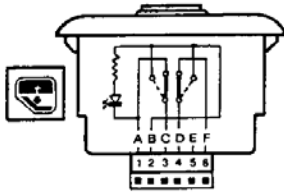
The aim of this manual is to facilitate the search for the required components and their relative connections in order to be able to identify any faults.

For clarity each electrical subsystem, as for example the starting system, heated rear window, main beam lights etc., are described separately following 3 distinct paragraphs:

- **Wiring diagram** arranged in order to facilitate component identification and the relative connections.

The components (shown following a lay-out that mirrors the real-life situation) are aligned on the outside edge of the diagram and sometimes a symbol place next to the component identifies its function.

Example:



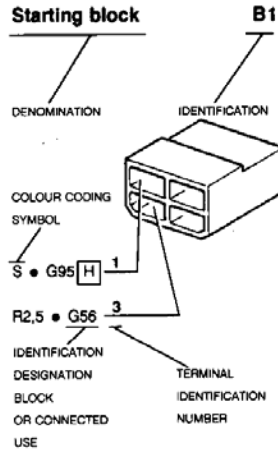
B21

Front right power window control switch.

- **Wiring**, illustrates the arrangement of the wires and connectors on the car and also the position of the various electrical components shown with the use of lenses.

- **Connectors**, shown in charts that give information as to the nature and destination of wires connected to them according

to the following example:



Each component is identified by a reference designation composed of a letter and a number (e.g.: B1). The letter identifies component type according to the following symbols:

- A Starting - Recharging
- B Manual electric controls
- C Instruments
- D Warning lamps
- E External lights
- F Interior lights
- G Fuseboxes - connectors - earths
- H Switches
- I Relays
- L Senders
- M Solenoids - solenoid valves
- N Electronic devices - intermittences - timers
- O Ancillary equipment
- P Electric motors
- Q Heater/ventilation - air conditioning system
- R Safety devices
- S Electronic fuel injection
- T Diagnosis

The key for all the components is given under the specific group.

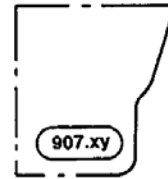
Variations

Each wiring diagram may be applicable to more than one model in the 33 range.

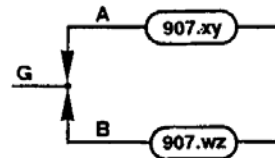
In cases where the different versions require variations in the electrical system, the wiring diagram shows each variation and where necessary duplicates the part of the circuit affected.

Any variations present between models is given in accordance with the following symbols:

- The dashed line and circled point on the diagrams, the areas containing the specific variations for the vehicle indicated with "907.xy".



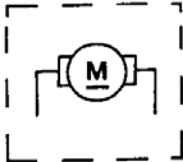
- The connection identifies two wiring variations, given as an alternative and connected in the same fashion. The variations refer to the models indicated with "907.xy" and "907.wz" respectively.



ELECTRICAL SYSTEM

Components fitted upon request

In the wiring diagrams a dashed line encloses the components that can be fitted upon request.



IDENTIFICATION OF MODELS

The models in the 33 range dealt with in this group can be identified by way of the following tables:

MODEL 33

907.A1	33 1.7 IE
907.A1A Δ	33 1.7 IE
907.A1D	33 1.7 IE 4x4
907.A1E Δ	33 1.7 IE 4x4
907.A1B	33 Boxer 16V
907.A1C Δ	33 Boxer 16V

SPORT WAGON MODELS

907.B1	SPORT WAGON 1.7 IE
907.B1A Δ	SPORT WAGON 1.7 IE
907.B1D	SPORT WAGON 1.7 IE 4x4
907.B1E Δ	SPORT WAGON 1.7 IE 4x4

Δ Vehicles with catalytic converter.

The wiring diagrams for the **Sport Wagon** are identical to those of the 33 models of equal motorization. For this reason, apart from specific indications they will be identified using a single system of symbols following the 33 model which is:
907.A1 for the 33 1.7 IE - SPORT WAGON 1.7 IE versions;
907.A1D for the 33 1.7 IE 4x4 - SPORT WAGON 1.7 IE 4x4 versions.

CABLE IDENTIFICATION

A code composed of one or more letters and a number (e.g.: BN!) is marked on the end of each cable.

The letters identify the colour of the cable and the numbers indicate its thickness (**N.B. The cable section not indicated is 0.5 mm²**).

For convenience the names of the colours have been abbreviated.

The list of these abbreviations is given below:

A	Light-blue
AB	Light-blue white
AG	Light-blue yellow
AN	Light-blue black
AR	Light-blue red
B	White
BN	White black
BR	White red
BL	Blue

BLN	Blue black
BLR	Blue red
Br	Dark brown
C	Amber
CB	Amber white
CN	Amnber black
G	Yellow
GB	Yellow white
GN	Yellow black
GR	Yellow red
GV	Yellow green
H	Grey
HG	Grey yellow
HN	Grey black
HR	Rey red
HV	Grey green
M	Brown
MB	Brown white
MG	Brown yellow
N	Black
No	Hazel brown
R	Red
RN	Red black
S	Pink
SB	Pink white
SN	Pink black
V	Green
VB	Green white
VN	Green black
Z	Purple
ZB	Purple white
ZN	Purple black